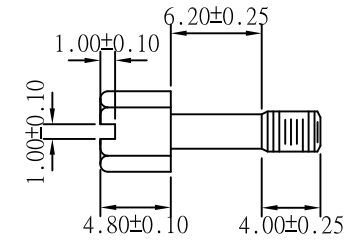
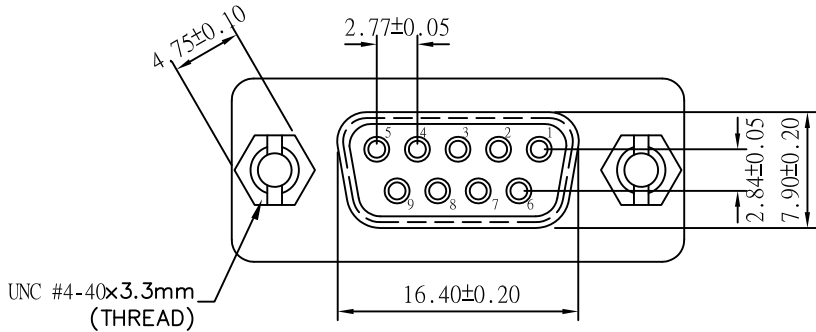


UNC #4-40 Hexscrew

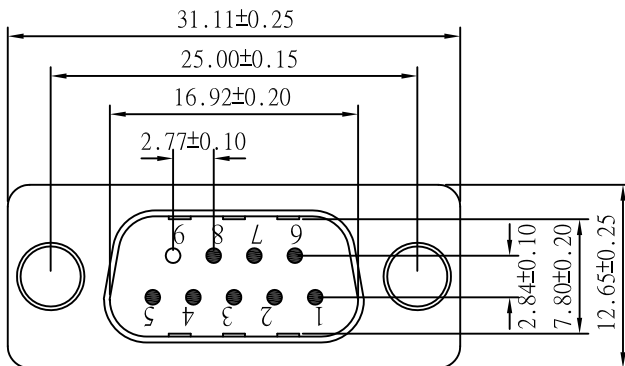
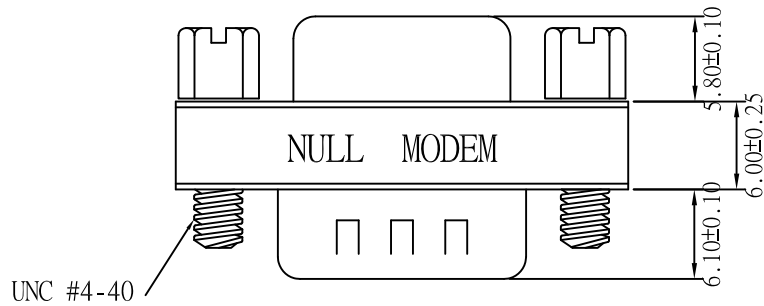


MA 005A (DB9M/F ADAPTOR)

PIN OUT: 09Male

09Female

2	-----	3
3	-----	2
4	-----	1
5	-----	6
1	-----	5
6	-----	4
7	-----	8
8	-----	7
G	-----	G



Label: orange color with white character

One side: NULL MODEM

The other side: MINI ADAPTER

SPECIFICATION

INSULATOR: PBT Glass fibre reinforced UL 94 VO (black)

CONTACT: Brass

CONTACT PLATING: Gold plated over nickel

SHELL: Tin plated shell

				Edition A4	Maxxtro®			
				SCALE 2:1	UNLESS OTHER-WISE SPECIFIED TOLERANCE: 0.0: ±0.20 0.00: ±0.15 0.000: ±0.05	PART NO. MA 005A H4 (0502)	DWG NO. TM0059-04	DATE 2008/04/10
				UNIT mm				
Customer	REVISION	DESCRIPTION	DATE	Page 1/1		DRAWN	CHECKED	APPRD