



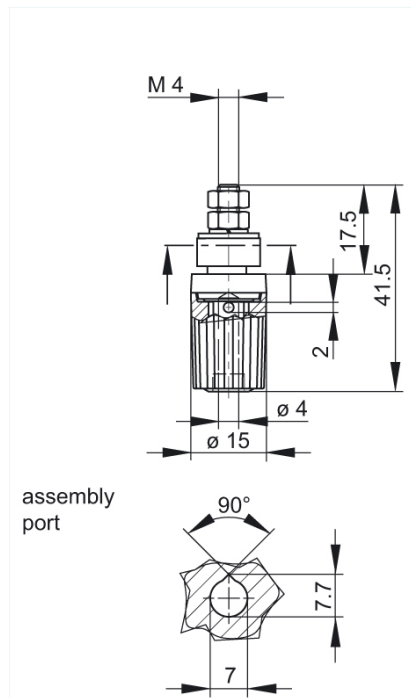
PKI 100 schwarz/black

Industrial Connectors:Measuring and Testing Equipment:Socket:4 mm system

Product description

Description	Pole terminal with captive insulated head, which is held under constant pressure against the insulated rings by a spring. 4 mm diameter nickel-plated, brass threaded bolt with 2 mm diameter transverse hole. For non-rotating installation in switchpanels and equipment chassis with wall thicknesses up to 3.5 mm.
Type	PKI 100 schwarz/black
Order No.	930 757-100
System	4 mm system
Housing Color	black
Color types	●●●●●
Other standard types	red color, order no. 930 757-101; blue color, order no. 930 757-102; yellow color, order no. 930 757-103; green color, order no. 930 757-104; yellow/green color, order no. 930 757-188

Drawing



Technical data	
Type of contact	socket
Type of termination	M 4 thread
Rated voltage	DC 60 V
Rated current	35 A
Contact resistance	2 mOhm
Mounting	screw
Material	
Contact material	brass
Contact surface material	nickel-plated
Housing material	PA
Environmental conditions	
Temperature range	-25 °C to +100 °C
Inflammability class	
Housing	94 V-2