

SENTRON, 3LD switch disconnecter, EMERGENCY-STOP switch, 3-pole, Iu:25 A, Operational power / at AC-23 A at 400 V: 9,5 kW, molded- plastic enclosure for metric threaded joint, 1NC, 1NO, rotary operating mechanism, red/yellow



Model	
product brandname	SENTRON
Product designation	3LD switch disconnecter
Design of the product	EMERGENCY-STOP switch
Design of the operating mechanism	Short rotary knob
Type of the driving mechanism / motor drive	No
General technical data	
Number of poles	3
Number of poles / Note	N
Type of device	fixed mounting
Operating frequency / maximum	50 1/h
Voltage	
Insulation voltage / rated value	690 V
Surge voltage resistance / rated value	6 kV
Protection class	
Protection class IP	IP65
Protection class IP / on the front	IP65

Dissipation	
<b>Power loss [W]</b>	
<ul style="list-style-type: none"> <li>for rated value of the current / at AC / in hot operating state / per pole</li> </ul>	1.1 W
Electricity	
Continuous current / rated value	25 A
Short-time current resistance (I <sub>cw</sub> ) / at 690 V / limited to 1 s / rated value	640 A
Main circuit	
<b>Operating frequency</b>	
<ul style="list-style-type: none"> <li>initial value</li> </ul>	50 Hz
<ul style="list-style-type: none"> <li>Full-scale value</li> </ul>	60 Hz
<b>Operating power</b>	
<ul style="list-style-type: none"> <li>at AC-23 A / at 400 V / rated value</li> </ul>	9.5 kW
<ul style="list-style-type: none"> <li>at AC-23 A / at 690 V / rated value</li> </ul>	9.5 kW
<ul style="list-style-type: none"> <li>at AC-3 / at 400 V / rated value</li> </ul>	7.5 kW
<ul style="list-style-type: none"> <li>at AC-3 / at 690 V / rated value</li> </ul>	7.5 kW
<b>Operating voltage</b>	
<ul style="list-style-type: none"> <li>at AC / at 50/60 Hz / rated value</li> </ul>	690 V
Auxiliary circuit	
<b>Operating voltage / of auxiliary contacts / at AC / maximum</b>	500 V
<b>Continuous current / of the auxiliary contact / rated value</b>	10 A
<b>Insulation voltage / of the auxiliary switch / rated value</b>	500 V
Suitability	
<b>Suitability for use</b>	
<ul style="list-style-type: none"> <li>Main switch</li> </ul>	Yes
<ul style="list-style-type: none"> <li>switch disconnecter</li> </ul>	Yes
<ul style="list-style-type: none"> <li>EMERGENCY OFF switch</li> </ul>	Yes
<ul style="list-style-type: none"> <li>safety switch</li> </ul>	Yes
<ul style="list-style-type: none"> <li>maintenance/repair switch</li> </ul>	Yes
Product details	
Product feature / interlock	Yes
Product extension / optional	
<ul style="list-style-type: none"> <li>motor drive</li> </ul>	No
<ul style="list-style-type: none"> <li>Voltage trigger</li> </ul>	No
Connections	
<b>Type of electrical connection</b>	

- for main current circuit
- for auxiliary contacts

Box terminal  
connection terminals

### Requirements

#### Design of the fuse link

- for short-circuit protection of the main circuit / required
- for short-circuit protection of the auxiliary switch / required

fuse gL/gG: 25 A

fuse gL/gG: 10 A

### Mechanical Design

#### Height

152 mm

#### Width

100 mm

#### Depth

117 mm

#### Mounting type

Complete unit in enclosure

#### Mounting type

- front mounting with 4-hole attachment
- front mounting with central attachment
- rail mounting

No

Yes

No

#### Net weight

458 g

### Environmental conditions

#### Ambient temperature

- during operation / minimum
- during operation / maximum

-25 °C

55 °C

### Certificates

#### Equipment marking

- acc. to DIN EN 61346-2
- acc. to DIN EN 81346-2

S

SF

### General Product Approval

### Declaration of Conformity



CCC



CSA



UL



VDE

[sonstig](#)



EG-Konf.

#### Test

#### Certificates

[sonstig](#)

#### Shipping Approval



LRS

#### other

[Umweltbestätigung](#)

## Further information

### **Information- and Downloadcenter (Catalogs, Brochures,...)**

<http://www.siemens.com/lowvoltage/catalogs>

### **Industry Mall (Online ordering system)**

<https://mall.industry.siemens.com/mall/en/en/Catalog/product?mlfb=3LD2164-1GP53>

### **Service&Support (Manuals, Certificates, Characteristics, FAQs,...)**

<http://support.automation.siemens.com/WW/view/en/3LD2164-1GP53/all>

### **Image database (product images, 2D dimension drawings, 3D models, device circuit diagrams, ...)**

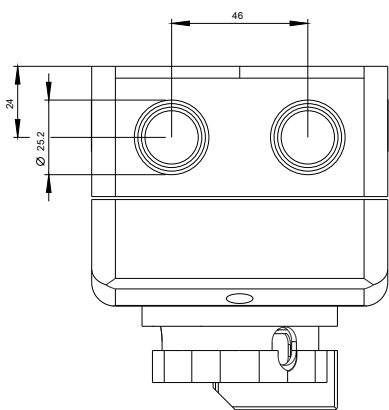
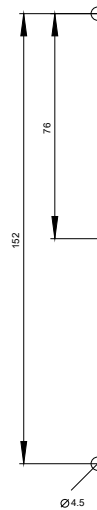
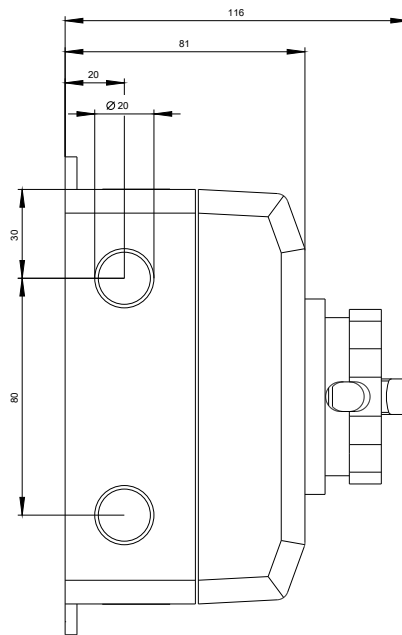
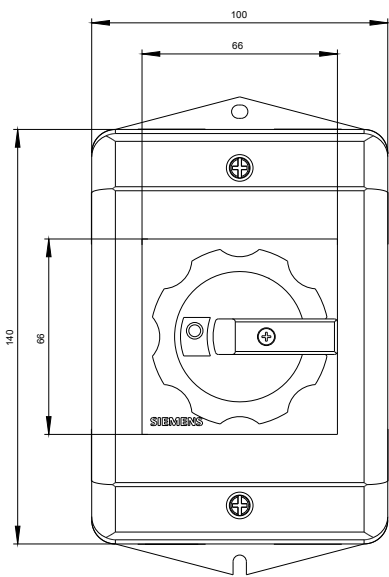
[http://www.automation.siemens.com/bilddb/cax\\_en.aspx?mlfb=3LD2164-1GP53](http://www.automation.siemens.com/bilddb/cax_en.aspx?mlfb=3LD2164-1GP53)

### **CAX-Online-Generator**

<http://www.siemens.com/cax>

### **Tender specifications**

<http://www.siemens.com/specifications>



**-Q1**

