

VARIABLE TRANSFORMER E7.1

2422 529 00017 Approved by SEV

1) Core Size

Moulded type code E7.1

2) Application

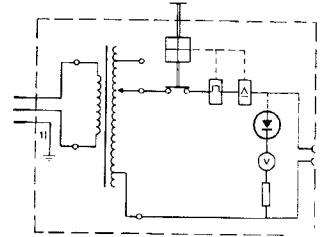
This laboratory model will find his main application in radio and television repair shops, laboratories and in teaching institutes.

3) Description

The transformer, with two separated windings, is moulded in reinforced polyester resin bottem part. The construction is rugged and professional. The transformer is a class I transformer, and short-circuit proof by means of not self resetting terminaland magnetical cut out. The transformer has a 3-core cable a outlet for accepting sinulair plugs according to SEV, an insulated handle and a voltmeter for indication.

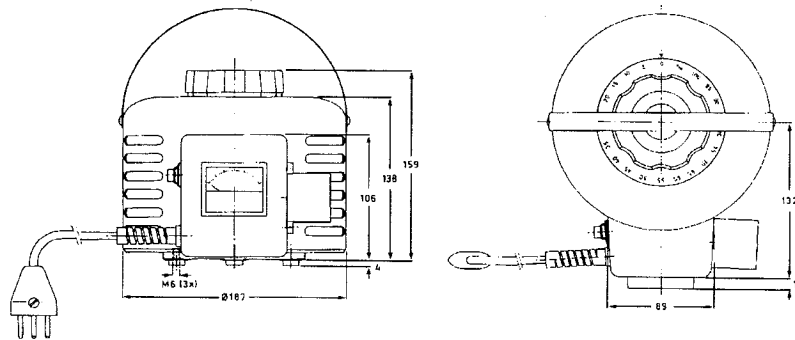
4) Electrical Data

Input Voltage N to K	220V + 10%
Output Voltage no load L to T (note1)	0 to 262V
Output Current nom.	3A
Output Current max. (note 4)	5A
Voltage drop (note 3)	<12V
Voltage per turn	0.83V
Losses, no load	<11W
Test voltage (note2) for 1 min.	5000V
Test voltage (note3) for 1 min.	2000V
Ambient temperature range	-10 to +40°C
Permissible temperaturerise at any point max.	70°C



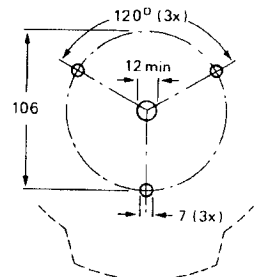
5) Mechanical data

Degree of Protection	IP20
Mass	10200 gr
Operation torque	0.15 to 0.3 Nm
Perm. end stop torque	max. 4 Nm



6) Mounting

The transformer can be mounted in any position. It can be fitted to a panel or chassis with three screws M6 (maximum length = panel thickness + 10mm). The mounting hole pattern is shown below.



7) Accessories

AC Stabilizer	2422 532 00081/82
Motor Control	See page M1-M11

8) Replacement parts

Carbon brush	4322 027 75160 see page M12
--------------	-----------------------------

9) Notes to Electrical Data

- 1) Clockwise rotation of the spindle results in an increasing output voltage when the transformer is viewed from the mounting side (base).
- 2) Between windings.
- 3) Between live and non-live parts.