

VECO VANSONIC ENTERPRISE CO., LTD.

8F.,No.7,Lane 16, Sec.2, Szechwan Road, Panchiao, Taipei Hsien, TAIWAN.

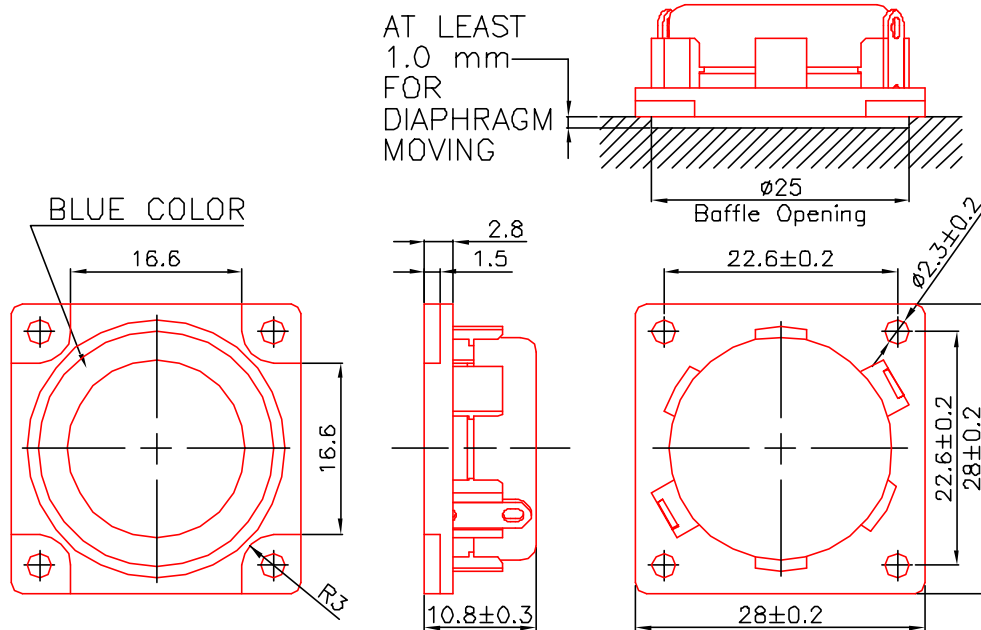
TEL: +886-2-29626335

FAX: +886-2-29625220

E-MAIL: vansonic@ms4.hinet.net

1.	MODEL:	28KC08-1-A			
2.	Dimension	Outer Diameter	28x 28 mm.	Baffle Opening	Ø25 mm.
		Height	Refer to Drawing	Weight	21 Grams.
3.	Magnet	Materials	Rare Earth	Size	ø 15.5 x 2.8 mm.
4.	Nominal Resistance	8 Ω ± 15 %			
5.	Power Rating	Normal	2 W.	Maximum	3 W.
6.	Lowest Resonant Frequency	270 ± 20 %	Hz.		
7.	Output Sound Pressure Lever (S.P.L.)	82 ± 3 db / 1.0 Watt . 0.5 Meter.			
		Average at	600, 800, 1000, 1200	Hz.	
8.	Frequency Range	150 ~ 20000 Hz.	Average SPL - 10 db.		
9.	Distortion	5 % Maximum At	1000 Hz.	1 W.	
10.	Abnormal Sound Test	Must be Normal Tested By	4 Volts.	Sine Wave.	
11.	Load Test	White Noise with Weighted Filter	4 Volts.(RMS)	24 Hrs.	
12.	Polarity	Diaphragm shall move Forward when Apply a Positive DC.			
		Current to the "+" or "Marked" Terminal.			

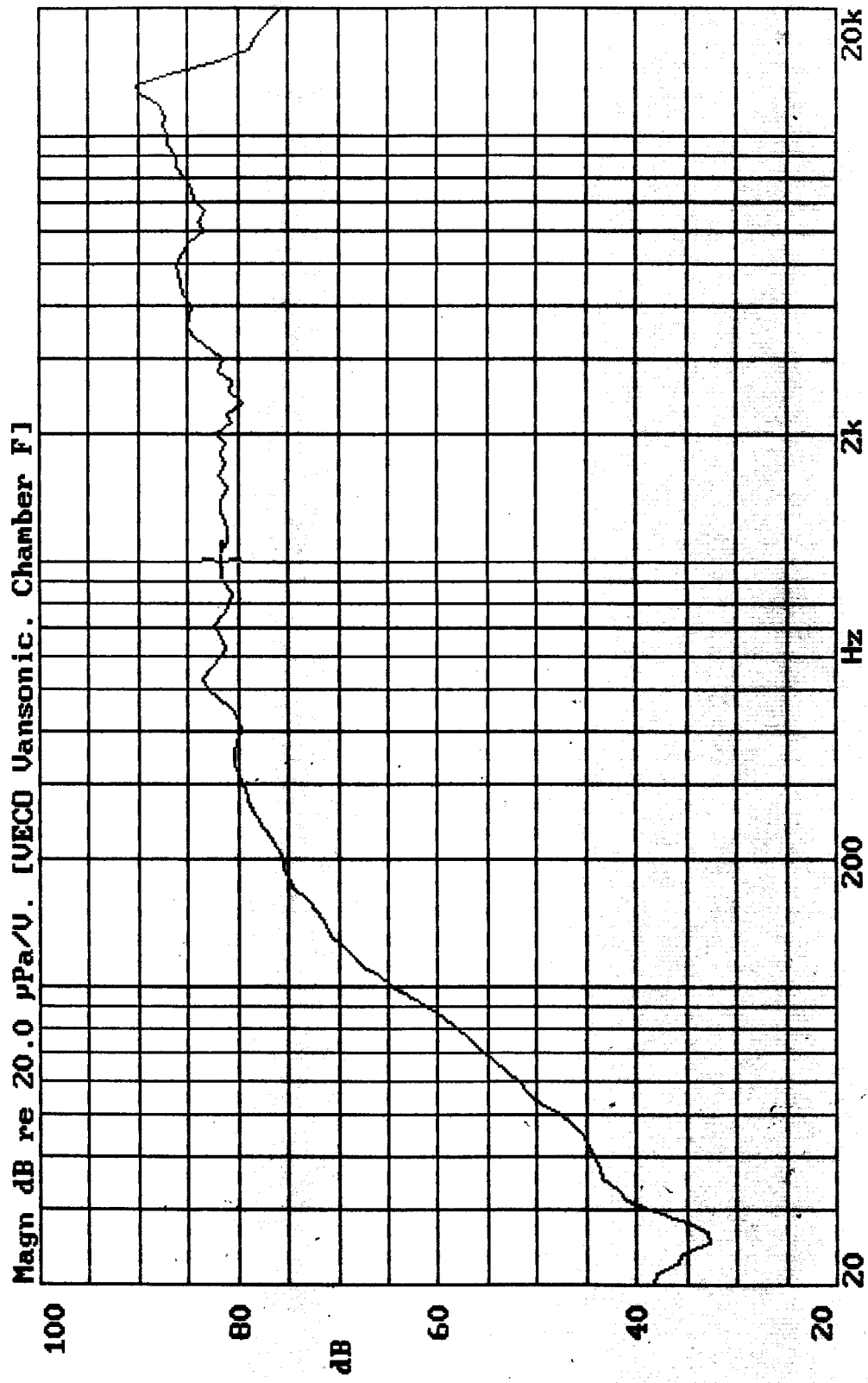
MOUNTING NOTICE



Unit : mm

Housing Material : PBT

28KC08-1-A VOL:2.828V(1M) DIS:0.5M VANSONIC
X:1.0000kHz *Y:81.68dB ZA:1.0000 SSR Fund.



14-AUG-2001 10:56:17

Mode : SSR

