

VECO VANSONIC ENTERPRISE CO., LTD.

8F.,No.7,Lane 16, Sec.2, Szechwan Road, Panchiao, Taipei Hsien, TAIWAN.

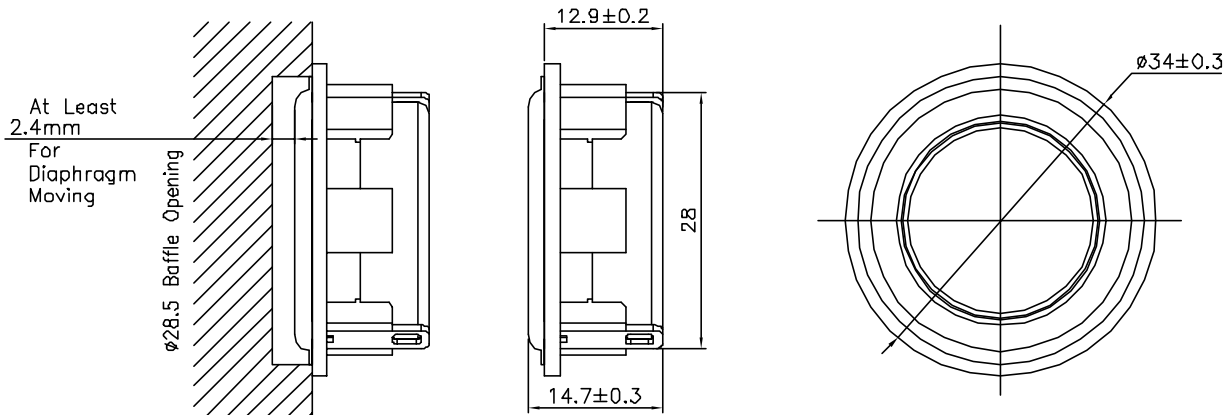
TEL: +866-2-29626335

FAX: +866-2-29625220

E-MAIL: vansonic@ms4.hinet.net

1.	MODEL:	34RC08-1			
2.	Dimension	Outer Diameter	$\phi 34$ mm.	Baffle Opening	$\phi 28.5$ mm.
		Height	Refer to Drawing	Weight	27 Grams.
3.	Magnet	Materials	Rare Earth	Size	$\phi 19 \times 3.4$ mm.
4.	Nominal Resistance	8 Ω	± 15 %		
5.	Power Rating	Normal	3 W.	Maximum	5 W.
6.	Lowest Resonant Frequency	170	± 20 %		Hz.
7.	Output Sound Pressure Lever (S.P.L.)	82	± 3 db / 1.0 Watt	0.5	Meter.
		Average at	600, 800, 1000, 1200		Hz.
8.	Frequency Range	120 ~ 20000	Hz.	Average S P L - 10	db.
9.	Distortion	5 %	Maximum At	1000 Hz.	1 W.
10.	Abnormal Sound Test	Must be Normal Tested By		4.9 Volts.	Sine Wave.
11.	Load Test	White Noise with Weighted Filter		4.9 Volts.(RMS)	24 Hrs.
12.	Polarity	Diaphragm shall move Forward when Apply a Positive DC.			
		Current to the "+" or "Marked" Terminal.			

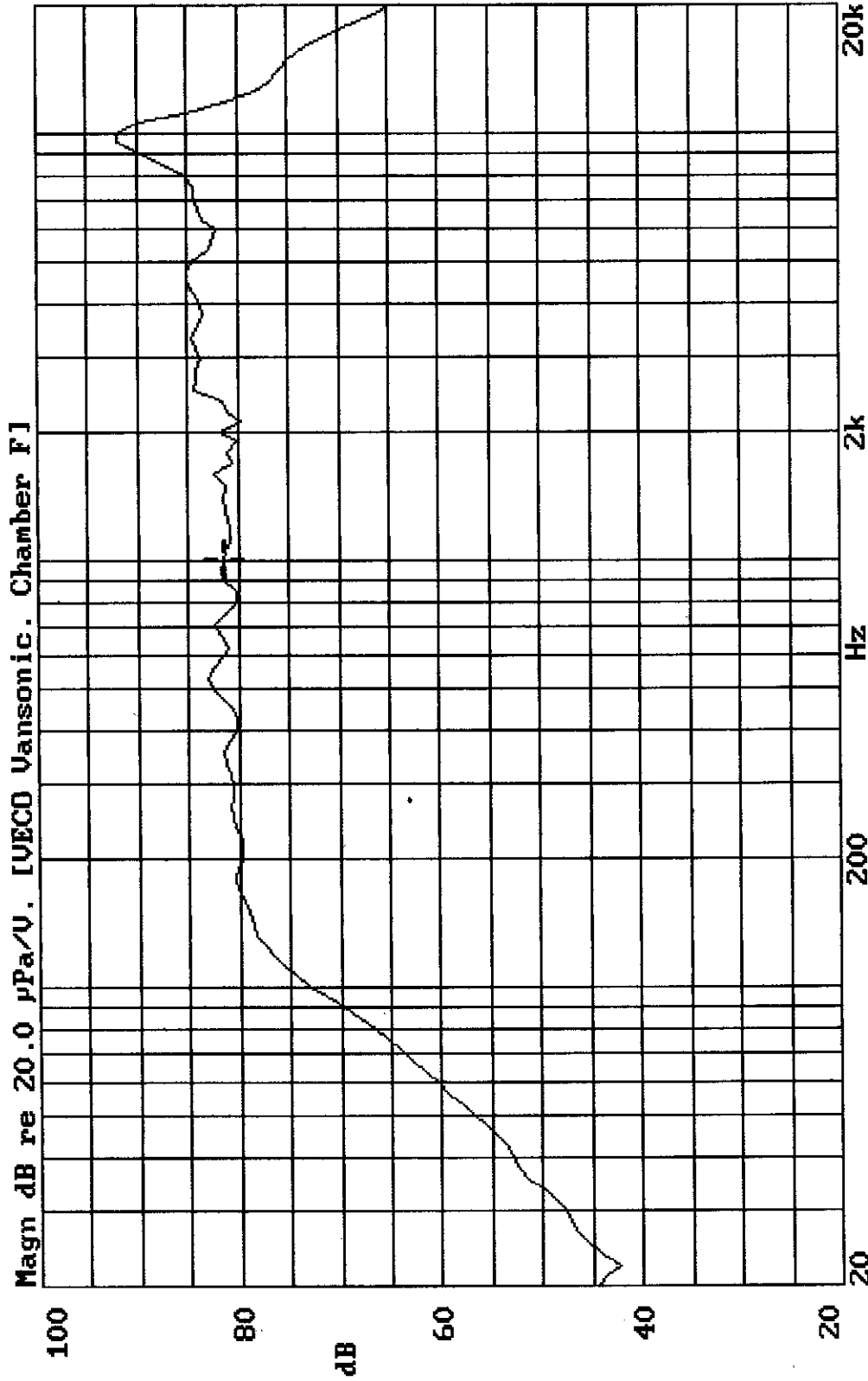
MOUNTING NOTICE



Unit : mm

Housing Material : PBT

34RC08-1 VOL:2.83V(1W) DIS:0.5M VANSONIC
X:1.0000kHz *Y:81.54dB ZA:1.0000 SSR Fund.



02-APR-2002 17:10:03

Mode: SPEAKER