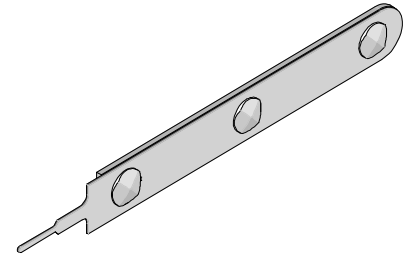




Extractor Tool Instruction Sheet Order No. 11-03-0043 Engineering No. HT60923A



FEATURES

- This tool is designed to extract series 43030, 43031, and 46235 terminals from crimp housings (Series 43020, 43025, 43645, and 44133)
- This tool is designed to extract series 50058, 50061, 50079, and 50080 terminals from crimp housings (Series 51021 and 51022)

SCOPE

Products: Micro-Fit 3.0™ and 1.25mm (.049") Pitch PicoBlade™ Crimp Terminals.

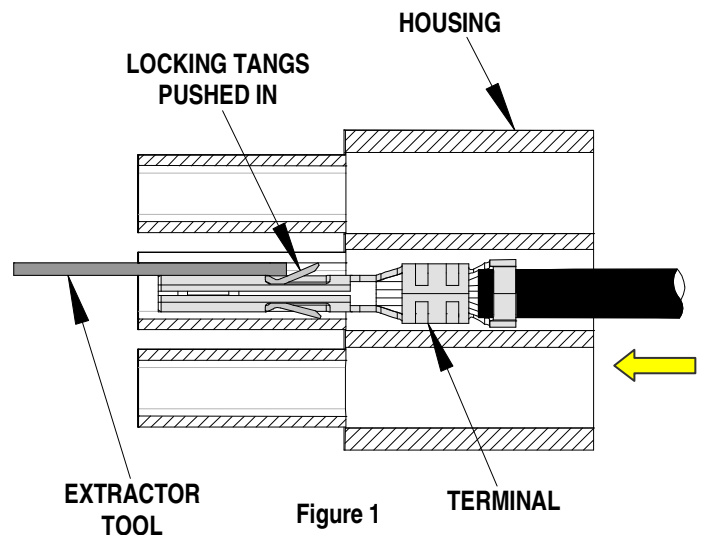
Terminal Series No.	Terminal Order No.							
43030	43030-0001	43030-0002	43030-0003	43030-0004	43030-0005	43030-0006	43030-0007	43030-0008
	43030-0009	43030-0010	43030-0011	43030-0012	43030-0051	43030-0052	43030-0053	43030-0056
	43030-0057	43030-0058	43030-0059	43030-0080	43030-0081	43030-1001		
43031	43031-0001	43031-0002	43031-0003	43031-0004	43031-0005	43031-0006	43031-0007	43031-0008
	43031-0009	43031-0010	43031-0011	43031-0012	43031-0016	43031-0017	43031-0018	43031-0019
	43031-0051	430310052	430310053	43031-0057	43031-0059	43031-0102	43031-0103	43031-0106
46235	46235-0001	46235-0002	46235-0003	46235-0004				
50058	50058-8000	50058-8099	50058-8100	50058-8200	50058-8300	50058-8400	50058-8500	
50061	50061-8000	50061-8018	50061-8028	50061-8099	50061-8100	50061-8118	50061-8128	
50079	50079-8000	50079-8000	50079-8053	50079-8099	50079-8100	50079-8153		
50080	50080-8000	50080-8100						
50147	50147-8000	50147-8100						
50148	50148-8000	50148-8100						

OPERATION:

For 43030, 43031, and 46235 Terminal Series:

Individual terminals may be extracted from the housing using this Tool.

1. Insert the tip of the tool on either side of the terminal until it stops. See Figure 1.
2. Rotate tool clockwise then counter-clockwise approximately 25° to 30° in each direction, once or twice.
3. Repeat steps 1 and 2 on the opposite side of terminal.



4. Pull on the wire and remove the terminal from the housing.
See Figure 2.

NOTE: When a terminal is removed in this manner the locking tangs are damaged and the terminal is not reusable.

For 50058, 50061, 50079, and 50080 Terminal Series:

Individual terminals may be extracted from the housing using this Tool.

1. Hold the housing with the locking tang facing up. Bend the wire down and insert the tip of the tool into the housing under the locking tang. See Figure 3.
2. Hold the wire against the extractor tool and pull out the wire and the extractor tool at the same time. See Figure 4.

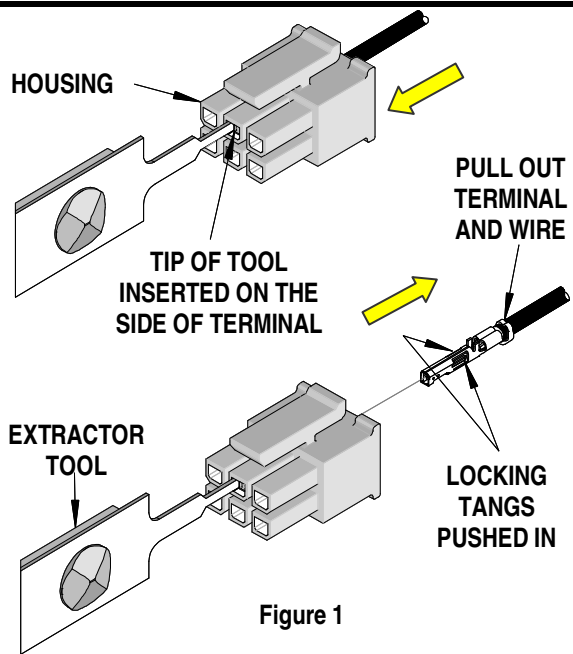


Figure 1

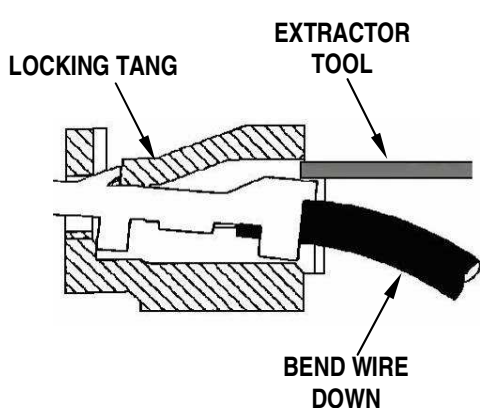
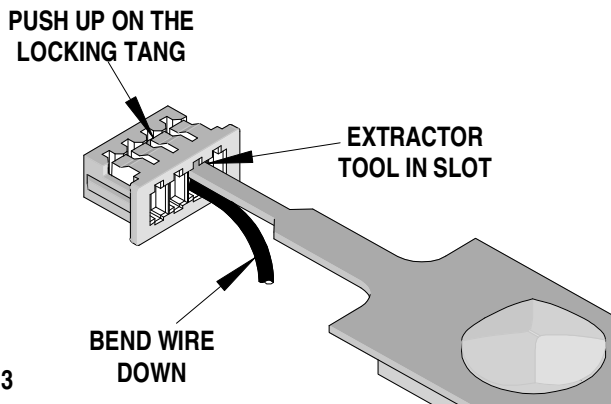


Figure 3



NOTE: When re-using the housing remember to bend back the locking tang when inserting another terminal.

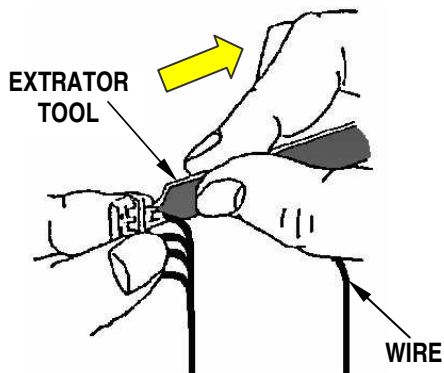
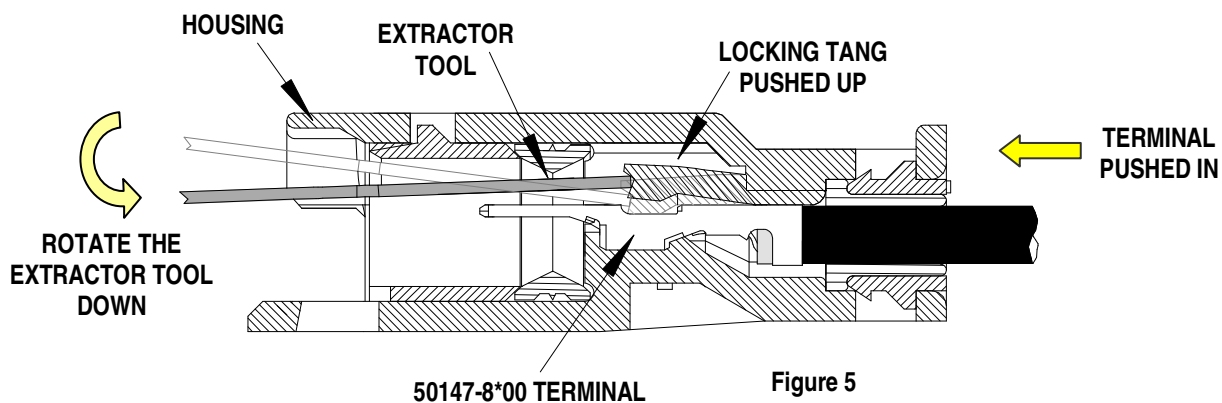


Figure 4

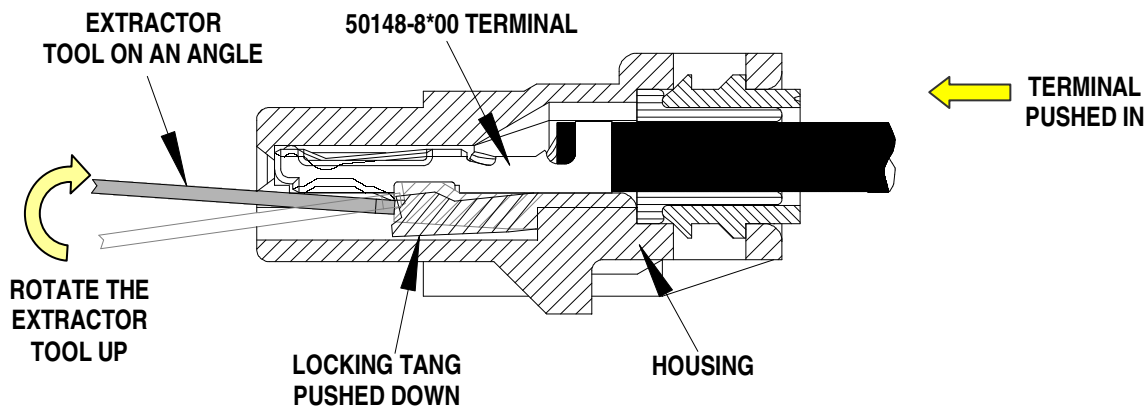
For 50147 and 50148 Terminal Series:

Individual terminals may be extracted from the housing using this Tool.

1. For terminal series 50147, push the terminal forward in the arrow direction before using the Extractor Tool.
2. Insert the tip of the Extractor Tool on an angle above the terminal into the slot on the top of the connector housing.
3. While rotating the extraction tool down, bend the terminal locking tang down and push the terminal back through the connector slot. Make sure that the terminated wire is pulled out at the same time. See Figure 5.



4. For terminal series 50148, push the terminal forward in the arrow direction before using the Extractor Tool.
5. Insert the tip of the Extractor Tool on an angle above the terminal into the slot on the bottom of the connector housing.
6. While rotating the extraction tool up, bend the terminal locking tang down and push the terminal back through the connector slot. Make sure that the terminated wire is pulled out at the same time. See Figure 6.



Molex does not offer repair parts for this Tools due to the inexpensive nature of the tool

CAUTION: Molex specifications are valid only when used with Molex terminals, applicators and tooling.

Americas Headquarters
 Lisle, Illinois 60532 U.S.A.
 1-800-78MOLEX
 amerinfo@molex.com

Far East North Headquarters
 Yamato, Kanagawa, Japan
 81-462-65-2324
 feninfo@molex.com

Far East South Headquarters
 Jurong, Singapore
 65-6-268-6868
 fesinfo@molex.com

European Headquarters
 Munich, Germany
 49-89-413092-0
 eurinfo@molex.com

Corporate Headquarters
 2222 Wellington Ct.
 Lisle, IL 60532 U.S.A.
 630-969-4550
 Fax: 630-969-1352

Visit our Web site at <http://www.molex.com>