

This document is the property of Amphenol Corporation and is delivered on the express condition that it is not to be disclosed, reproduced or used, in whole or in part, for manufacture or sale by anyone other than Amphenol Corporation without its prior consent, & that no right is granted to disclose or to use any information in this document.

REVISIONS

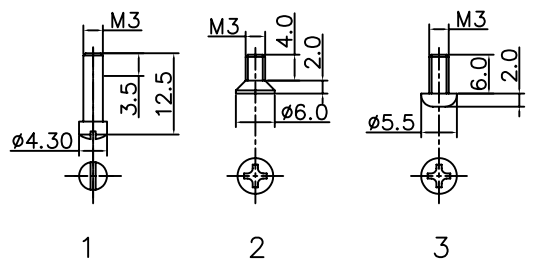
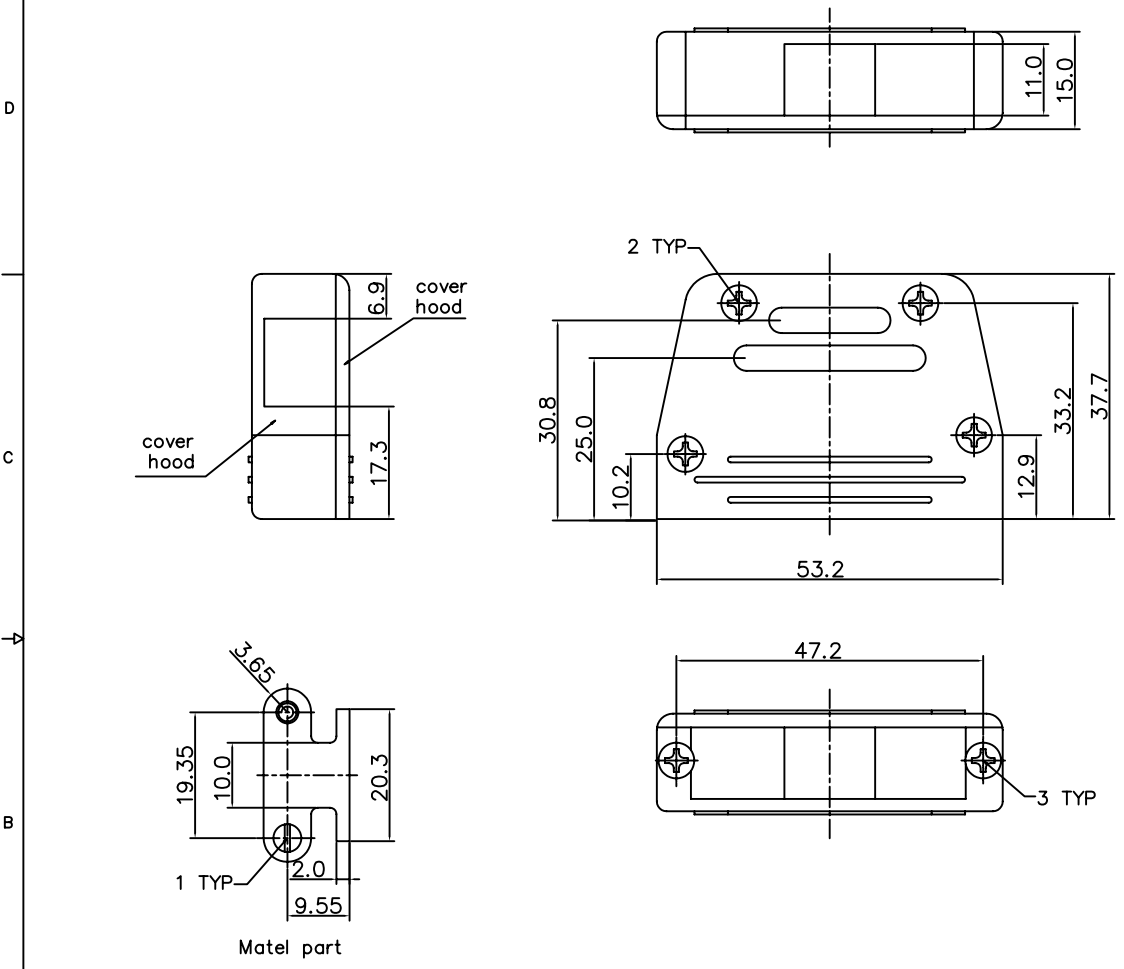
SYM	ECN	DESCRIPTION	DATE	APPROVED
A			30/01/07	

D-SUB TECHNICAL DATA

MATERIAL :Black thermoplastic
 CLIMATIC : Temperature range -30 °C up to 90°C
 MARKING : Amphenol---(Series No.)
 Commercial reference
 Manufacturing date

PRODUCT CODE

ROHS L 171372



UNLESS OTHERWISE SPECIFIED TOLERANCES		APPROVAL	DATE
U.S.	METRIC	DRAWN	DATE
.X +/-	0.50	Helen Jiang	30/01/07
.XX +/-	0.30	CHECKED	Uk.wang 30/01/07
.XXX +/-	0.20	CHECKED	
FRACTIONS +/-			
ANGLES +/-	2'		
FOR MATERIALS AND FINISHES SEE NOTES		DRAWING FILE :	
REMOVE SHARP EDGES		ANGLE OF PROJECTION	
DIMENSIONS			
U.S.	INCHES		
METRIC	MM		

Amphenol		TITLE	
hood		SIZE DRAWING NO.	
A4		C L171372	
SCALE	NONE	REV. A	
SHEET 1 OF 1			