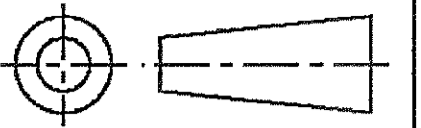


DO NOT SCALE

DIMENSIONS IN mm

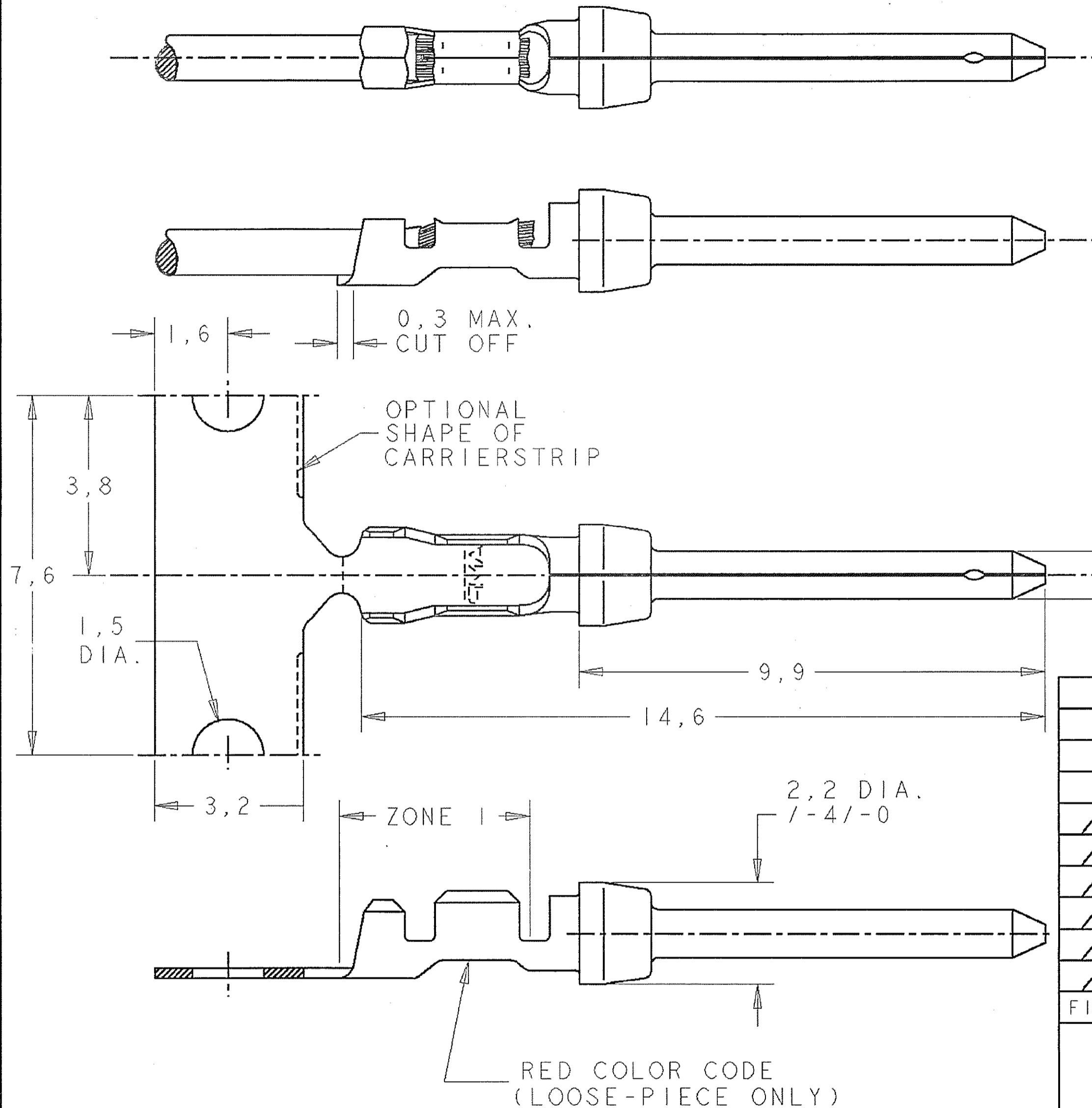
METRIC

THIRD ANGLE  
PROJECTION



NOTES:

- 1 FOR MINI-APPLICATOR CRIMPING.
- 2 FOR STANDARD-APPLICATOR CRIMPING.
- 3 FOR REEL-FEED HANDTOOL CRIMPING, 500 CONTACTS ON A SMALL REEL.
- 4. MATERIAL: BRASS.
- 5 UNDERCOATING: 1,3  $\mu\text{m}$  Ni  
SELECTIVE : 0,8  $\mu\text{m}$  Au  
REMAINDER : GOLDFLASH  
ZONE 1 : BRIGHT TIN
- 6 UNDERCOATING: 0,8  $\mu\text{m}$  Ni  
SELECTIVE : 0,4  $\mu\text{m}$  Au  
REMAINDER : GOLDFLASH
- 7 UNDERCOATING: 0,8  $\mu\text{m}$  Ni  
SELECTIVE : 0,4  $\mu\text{m}$  Au  
ZONE 1 : BRIGHT TIN
- 8 UNDERCOATING: 1,3  $\mu\text{m}$  Ni  
SELECTIVE : 2,0  $\mu\text{m}$  Au  
REMAINDER : GOLDFLASH
- 9 UNDERCOATING: 1,3  $\mu\text{m}$  Ni  
SELECTIVE : 1,3  $\mu\text{m}$  Au  
REMAINDER : GOLDFLASH
- 10 UNDERCOATING: 1,3  $\mu\text{m}$  Ni  
SELECTIVE : 1,3  $\mu\text{m}$  Au  
ZONE 1 : BRIGHT TIN



10	1-166293-0	5-166053-0	-	1-166053-0
9	1-166293-4	5-166053-4	-	1-166053-4
8	-	-	-	166053-4
7	166293-6	5-166053-6	166053-7	166053-6
6	166293-5	5-166053-5	-	166053-5
5	166293-1	5-166053-1	166053-3	166053-1
FINISH	LOOSE-PIECE	PARTNUMBER 3	PARTNUMBER 2	PARTNUMBER 1

CUSTOMER DRAWING

FOR REFERENCE ONLY  
WILL NOT BE UPDATED

**AMP**

AMP-HOLLAND B.V.  
s-Hertogenbosch, The Netherlands.

THIS DRAWING IS UNPUBLISHED | RELEASED FOR PUBLICATION | 19

© COPYRIGHT 19- BY AMP-HOLLAND B.V.  
ALL INTERNATIONAL RIGHTS RESERVED.  
AMP PRODUCTS MAY BE COVERED BY U.S. AND FOREIGN PATENTS AND/OR PATENTS PENDING.

DR. B.MOOIJ.	DATE 08-01-86	WIRE RANGE 24-20 AWG (0,56-0,20 mm <sup>2</sup> )	NAME PIN CONTACT, SIZE 20 DF.	REV. DATE D M Y 02 11 01
CHK. C.v.TILBURG	DATE 16-01-86	INSUL. RANGE 1,27-1,52 DIA.	DWG. No. C-166053	REV. LTR. W
APP. L.v.SOEST	DATE 18-02-86	SIZE A3	SHEET 1 OF 1	

8 7 6 5 4 3 2 1

1-1-0-11F-9/22/03 6:04:06 AM