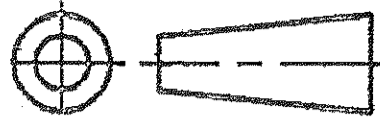


DO NOT SCALE

DIMENSIONS IN mm

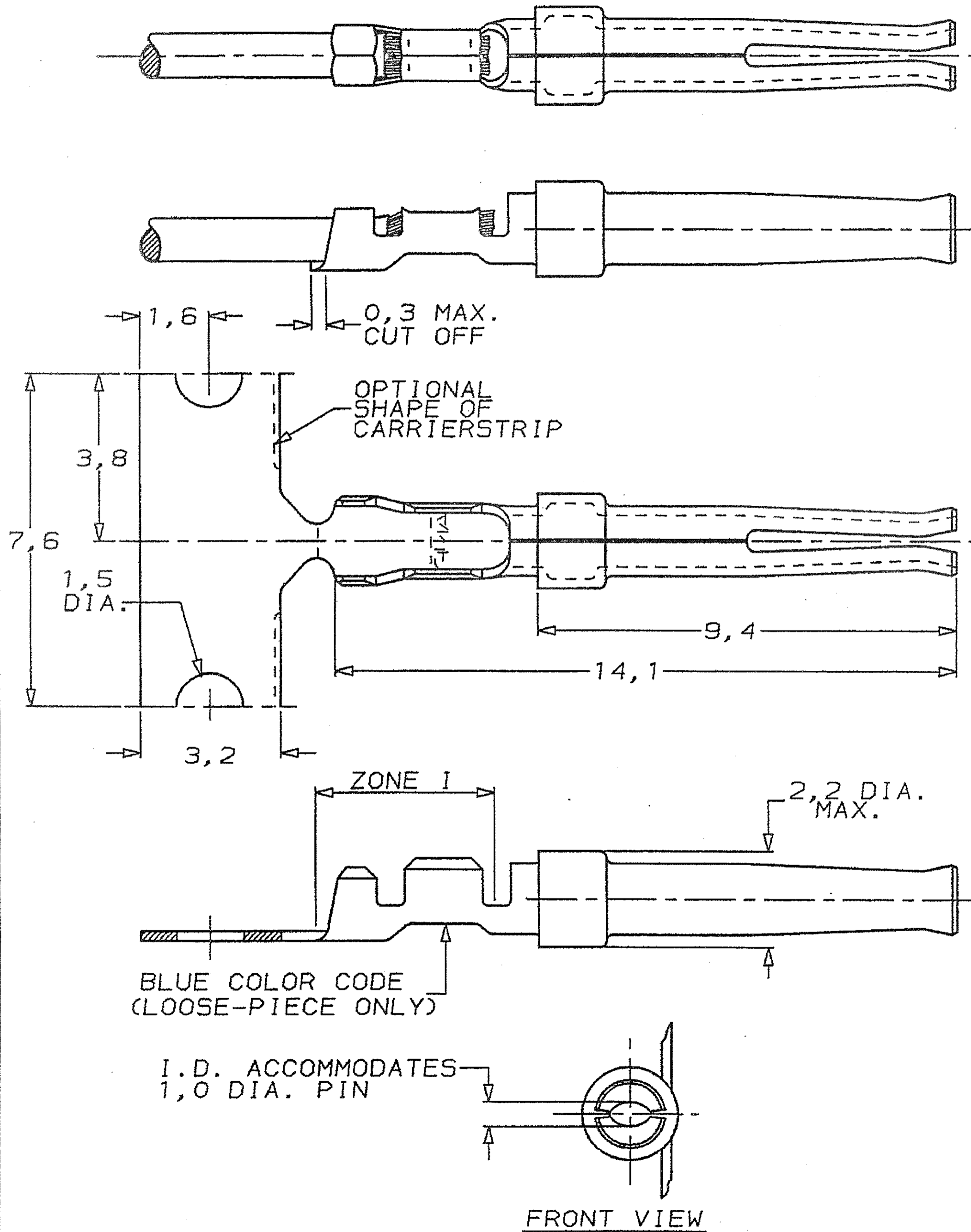
METRIC

THIRD ANGLE
PROJECTION



NOTES:

- 1 FOR MINI-APPLICATOR CRIMPING.
- 2 FOR STANDARD-APPLICATOR CRIMPING.
- 3 FOR REEL-FEED HANDTOOL CRIMPING, 500 CONTACTS ON A SMALL REEL.
- 4. MATERIAL: PHOSPHORBRONZE.
- 5 UNDERCOATING: 1,3 μm Ni
SELECTIVE : 0,8 μm Au
REMAINDER : GOLDFLASH
- 6 UNDERCOATING: 1,3 μm Ni
SELECTIVE : 0,8 μm Au
ZONE I : BRIGHT TIN
- 7 UNDERCOATING: 0,8 μm Ni
SELECTIVE : 0,4 μm Au
REMAINDER : GOLDFLASH
- 8 UNDERCOATING: 0,8 μm Ni
SELECTIVE : 0,4 μm Au
ZONE I : BRIGHT TIN
- 9 UNDERCOATING: 1,3 μm Ni
SELECTIVE : 2,0 μm Au
REMAINDER : GOLDFLASH
- 10 PRETINNED : 2,0 μm
- 11 UNDERCOATING: 1,3 μm Ni
SELECTIVE : 1,3 μm Au
REMAINDER : BRIGHT TIN
- 12 UNDERCOATING: 1,3 μm Ni
SELECTIVE : 1,3 μm Au
REMAINDER : GOLDFLASH



12	1-166292-4	5-166052-4	-	1-166052-4
11	1-166292-0	5-166052-0	-	1-166052-0
10	166292-2	-	-	166052-2
9	-	-	-	166052-4
8	166292-6	5-166052-6	166052-7	166052-6
7	166292-5	5-166052-5	-	166052-5
6	166292-1	5-166052-1	166052-3	166052-1
5	166292-7	5-166052-9	-	166052-9
FINISH	LOOSE-PIECE	PARTNUMBER 3	PARTNUMBER 2	PARTNUMBER 1

CUSTOMER DRAWING



AMP-HOLLAND B.V.
's-Hertogenbosch, The Netherlands.

FOR REFERENCE ONLY
WILL NOT BE UPDATED

THIS DRAWING IS UNPUBLISHED RELEASED FOR PUBLICATION, 1985

© COPYRIGHT 1985 BY AMP-HOLLAND B.V.
ALL INTERNATIONAL RIGHTS RESERVED.
AMP PRODUCTS MAY BE COVERED BY U.S. AND FOREIGN PATENTS AND/OR PATENTS PENDING.

DR. L.V.D. HEYDEN	DATE 08/10/1985	WIRE RANGE 28-24 AWG (0,08-0,22 mm ²)	NAME	SOCKET CONTACT, SIZE 20 DF.	REV. DATE
CHK. C.V. TILBURG	DATE 14-10-85	INSUL. RANGE 0,76-1,02 DIA.			D M Y 07 12 88
APP. L.V. SOEST	DATE 27-11-85	SIZE A3	SHEET 1 OF 1	DWG. No. C-166052	REV. LTR. P

8 7 6 5 4 3 2 1