

DESCRIPTION

INDICATOR for:

- AC/DC VOLTS (600V and 100V)
- AC/DC AMPERES (1A and 5A)

48 x 24 mm frontal

Fully programmable panel meter for AC/DC **volts** and **amperes** measurement.
Configurable decimal point.
Controlled by three keys situated on the bottom of the frontal display.



TECHNICAL SPECIFICATIONS

| INPUT | VOLTAGE | | CURRENT | |
|------------|-------------|--------|---------|-----------|
| | 600 | 100 | 1A | 5A |
| AC Range | 0÷600V | 0÷100V | 0÷1A | 0÷5A |
| DC Range | -199.9÷600V | ±100V | ±1A | -1.999÷5A |
| Resolution | 0.1V | 0.1V | 1mA | 1mA |

INPUT IMPEDANCE

Volts 3MΩ
Amperes 14mΩ

ACCURACY at 23°C ±5°C

DC: 600V AC, 5A AC ±(0.2% rdg + 3 digits)
100V AC, 1A AC ±(0.4% rdg + 4 digits)
Temperature coefficient 100 ppm/°C
Warm-up time 5 minutes

POWER SUPPLY AND FUSES (DIN 41661, not included)

PICA-E: 85-265V AC 50/60Hz and 100-300V DC F 0.1A/ 250V
PICA-E6: 21-53V AC 50/60Hz and 10.5-70V DC .. F 0.5A/ 250V
Power consumption 1.8W

CONVERSION

Technique Sigma-Delta
Resolution ±15 bits
Conversion rate 20/s

DISPLAY

Range -1999÷9999 DC, 0÷9999 AC
Type 4 red digits 10mm
Display refresh rate 4/s
Display/input overrange indication *OL*

ENVIRONMENTAL CONDITIONS

Operating temperature -10°C ÷ +60°C
Storage temperature -25°C ÷ +85°C
Relative humidity (non condensing) <95% @ 40°C
Maximum altitude 2000m
Frontal protection degree IP65

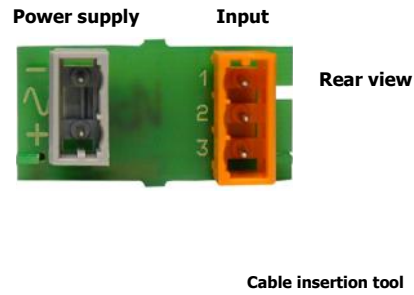
PROGRAMMING

Display range: Inputs **600** **100** DC -1999 ÷ 9999
Display range: Inputs **5A** **1A** DC -1999 ÷ 9999
Display range: Inputs **600** **100** AC 0 ÷ 9999
Display range: Inputs **5A** **1A** AC 0 ÷ 9999



Keys detail (bottom view)

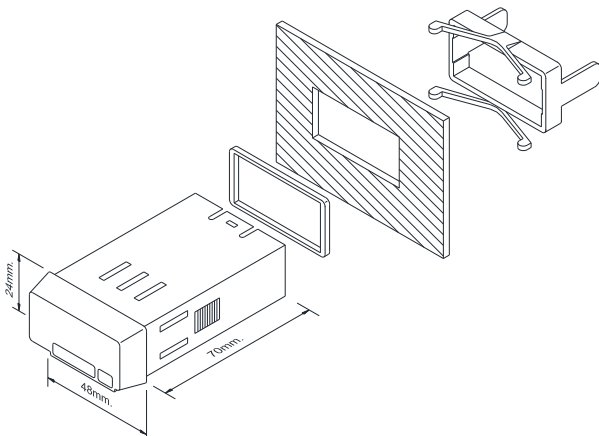
CONNECTIONS



DIMENSIONS AND MOUNTING

Dimensions 48 x 24 x 70 mm
Panel cutout 45 x 22 mm
Weight 60g
Case material Polycarbonate s/ UL 94 V-0

Instruments include a sealing gasket and a fixing clip for frontal and rear panel installation.



| CN1 | POWER SUPPLY | |
|-----|---------------------|------------|
| | AC VERSION | DC VERSION |
| PIN | | |
| 1 | AC LO | -V DC |
| 2 | AC HI | +V DC |
| CN2 | SIGNAL INPUT | |
| 1 | IN (COMMON) | |
| 2 | 100V / 600V (AC/DC) | |
| 3 | 1A / 5A (AC/DC) | |

ORDERING CODES

PICA-E:85-265V AC 50/60Hz and 100-300V DC
PICA-E6: 21-53V AC 50/60Hz and 10.5-70V DC