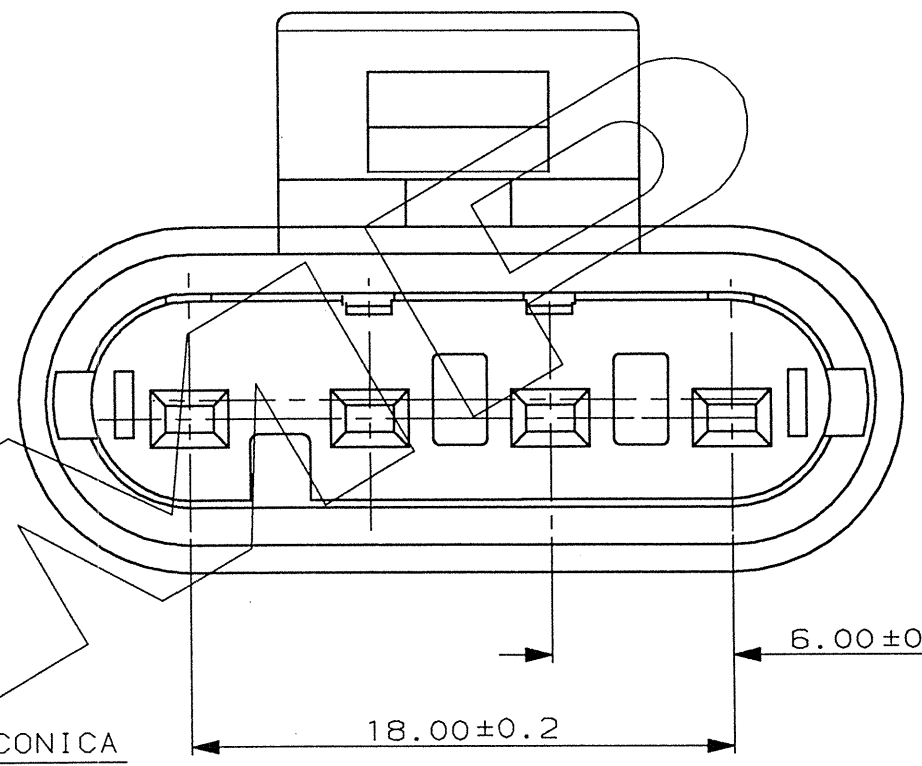
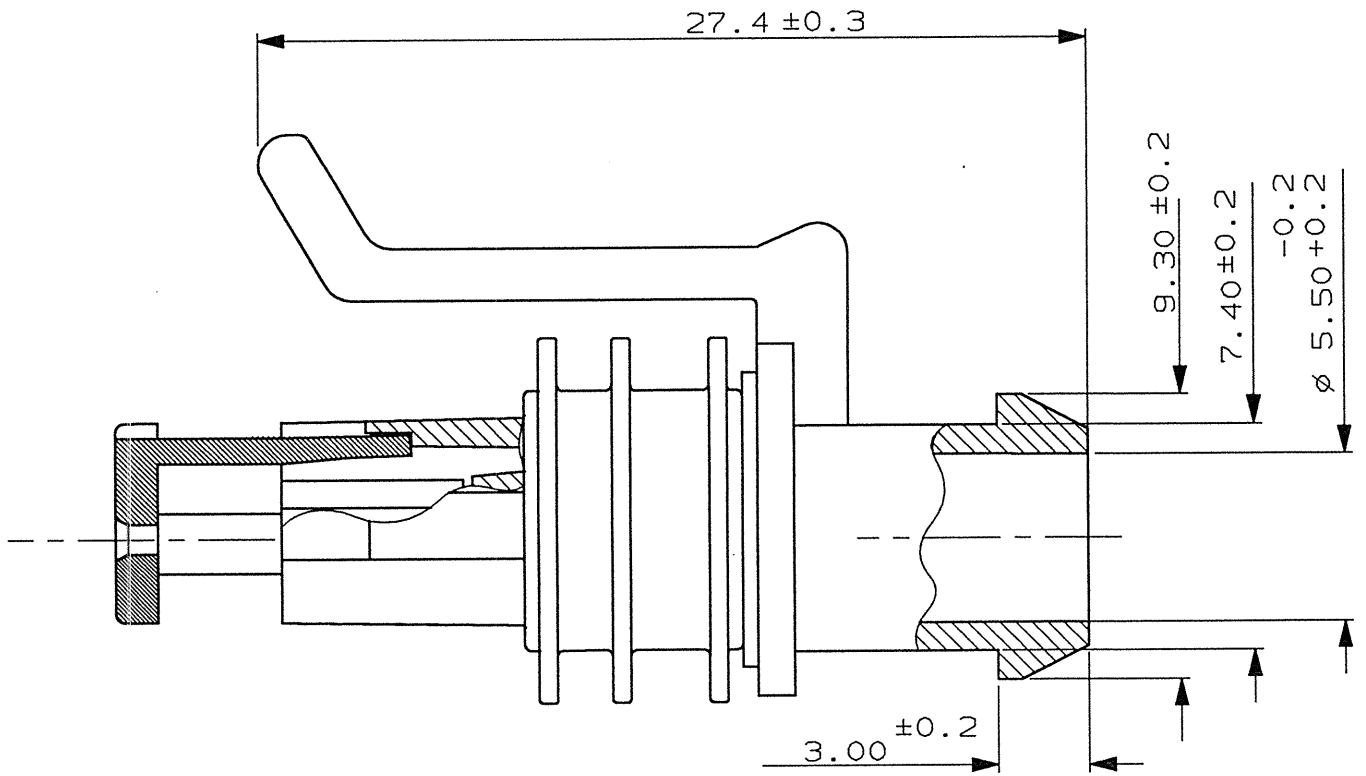


1 2 3 4 5 6 7 8

SCALA NON IMPEGNATIVA
(DO NOT SCALE)
DIMENSIONI IN mm
(DIMENSIONS IN mm)

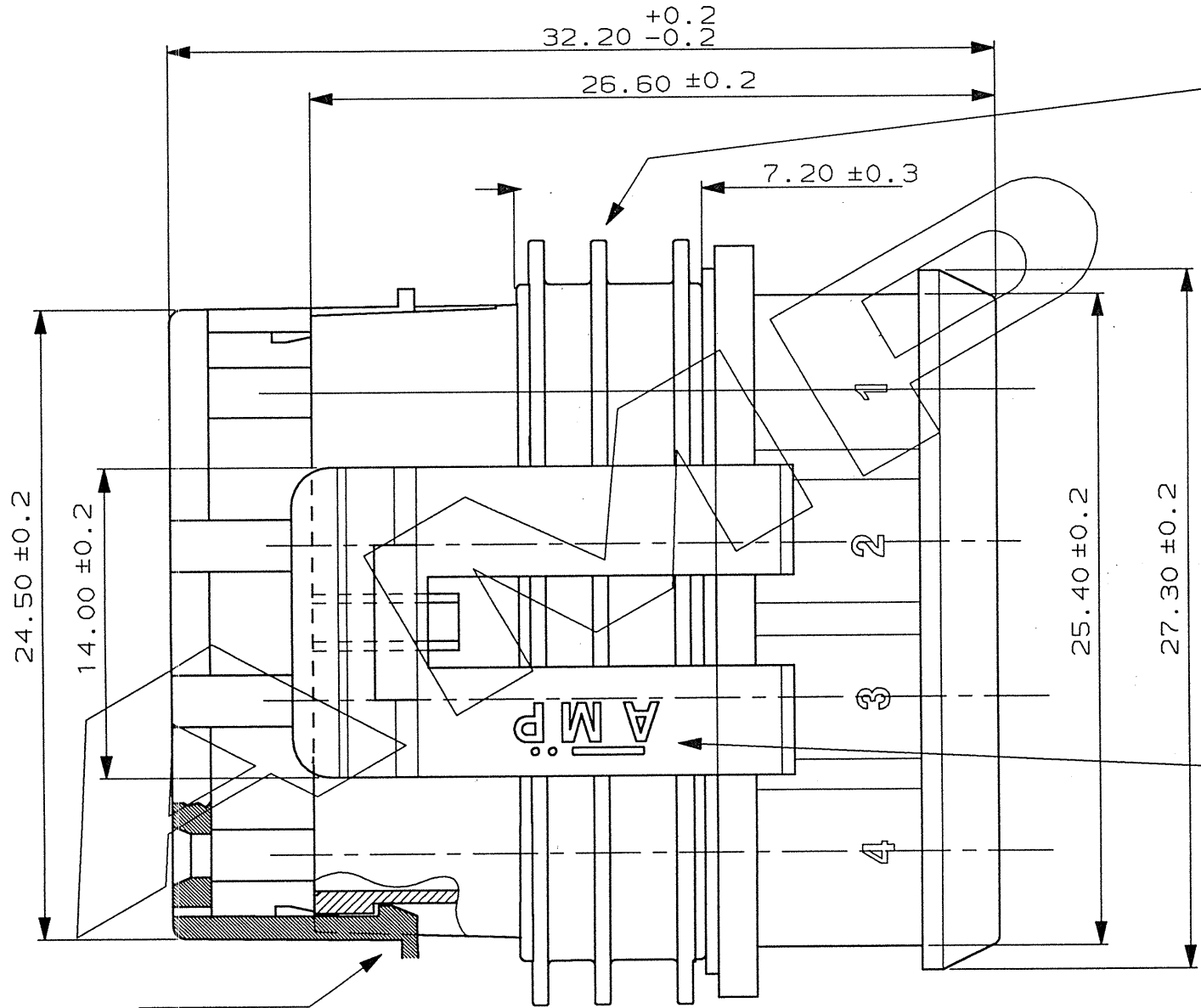
METRIC

PROIEZIONE EUROPEA
(EUROPEAN PROJECTION)



GUARNIZIONE, GOMMA SILICONICA
(GASKET, SILICON RUBBER)

1) PER RAPPRESENTAZIONE DIMA CONTROPARTE
VEDERE FOGLIO 2 DI 2.
(FOR COUNTERPART DETAIL SEE SEET 2 OF 2)



LOGO "AMP"
("AMP" TRADE MARK)

AGGANCIO SECONDARIO, COLORE ROSSO, PRE-ASSEMBLATO
(SECONDARY LOCK, RED COLOUR, IN PRE-ASSEMBLED POSITION)

GRIGIO (GREY)	PA 6.6 CAR. VETRO	282088-2
NERO (BLACK)	(PA 6.6 G.F.)	282088-1
FINITURA / COLORE (FINISH / COLOUR)	MATERIALE (MATERIAL)	NUMERO (PART NUMBER)

CUSTOMER DWG. FOR REFERENCE ONLY
DISEGNO PER CLIENTE SOLO PER RIFERIMENTO

THIS DRAWING IS UNPUBLISHED
RELEASE FOR PUBLICATION

© COPYRIGHT 19 BY AMP INCORPORATED, HARRISBURG, PA. ALL INTERNATIONAL RIGHT RESERVED. AMP PRODUCTS MAY BE COVERED BY U.S. AND FOREIGN PATENT AND/OR PATENT PENDING

B1	REVISED FOR ET00-0072-98	M.P.	7/98
B	UP-DATED ET00-0490-97	10/98	
A1	UP-DATED (ET00-0342-96)	C B	
A	SEE SHEET 2 OF 2	C B	29-4/96
5	UP-DATED	C B	10/92
4	ADDED PN ...-2	C B	8/92
3	UP-DATED	C B	1/92
2	UP-DATED	C B	7/90
REV.	REVISIONI	DIS.	DATA

AMP ITALIA S.p.A.
Corso F.lli Cervi, 15
COLLEGNO (TORINO)

DESCRIZIONE (DESCRIPTION)
4 POS. PLUG ASS'Y
AMP SUPERSEAL 1.5 SERIES CONNECTORS

LOC. SIZE NUMERO (DWG NO.)
I A 3 C-282088
REV. FOGLIO (SHEET)
B1 1 OF 2

ISTRUZIONE
(UNT. DIST.)

SCALA NON IMPEGNATIVA
(DO NOT SCALE)
DIMENSIONI IN mm
(DIMENSIONS IN mm)

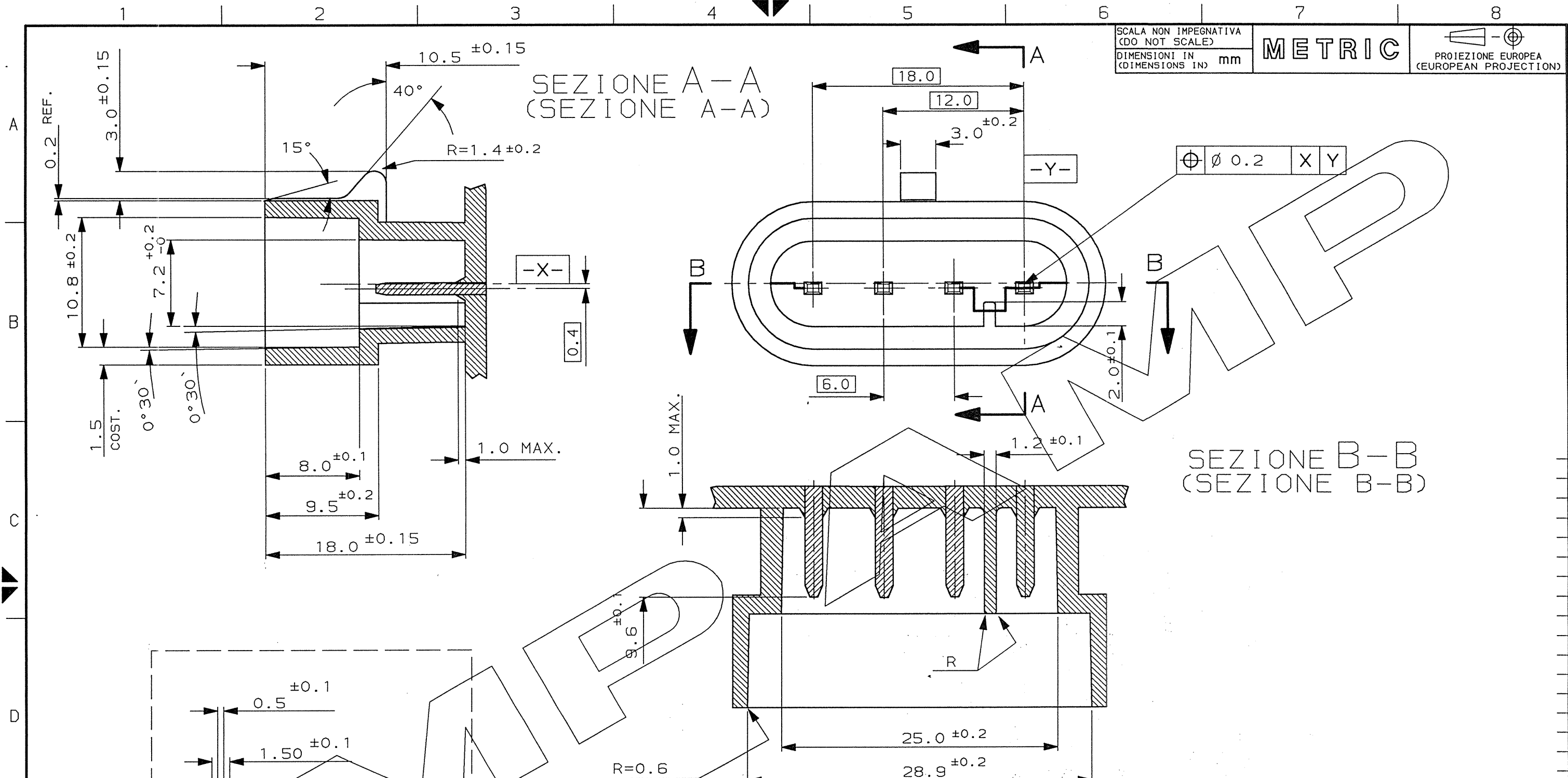
METRIC

PROIEZIONE EUROPEA
(EUROPEAN PROJECTION)

SEZIONE A-A
(SEZIONE A-A)

SEZIONE B-B
(SEZIONE B-B)

DIMENSIONI TAB
(TAB DIMENSIONS)



FINITURA / COLORE (FINISH / COLOUR)		PA 6.6 CAR. VETRO (PA 6.6 G.F.)	NUMERO (PART NUMBER)
CUSTOMER DWG. FOR REFERENCE ONLY		DISEGNO PER CLIENTE SOLO PER RIFERIMENTO	
THIS DRAWING IS UNPUBLISHED		RELEASE FOR PUBLICATION	
© COPYRIGHT 19 BY AMP INCORPORATED, HARRISBURG, PA. ALL INTERNATIONAL RIGHT RESERVED. AMP PRODUCTS MAY BE COVERED BY U.S. AND FOREIGN PATENT AND/OR PATENT PENDING			
TOLLERANZE, SE NON DIVERSAMENTE SPECIFICATO (TOLERANCES, UNLESS OTHERWISE SPECIFIED)		DIAM. ISOLANTE (INS. DIA. RANGE)	RANGO FILO (WIRE RANGE)
± 0.3		-	-
ANGOLI (ANGLES)		SCALA (SCALE)	
± 2°		-	
DIS. C. BERTINI (DR.)		DESCRIZIONE (DESCRIPTION)	
-		COUNTERPART FOR	
VEDERE FOGLIO 1 DI 2 (SEE SHEET 1 OF 2)		FOUR POS. REC. HSG. ASS'Y	
REV.	REVISIONI	LOC. SIZE	NUMERO (DWG NO)
-	-	TA	0-282088
APP.	DIS. DATA	REV.	FOGLIO (SHEET)
-	-	-	01

DISTRIBUZIONE
(PRINT DIST.)