



PRODUKTINFORMATION

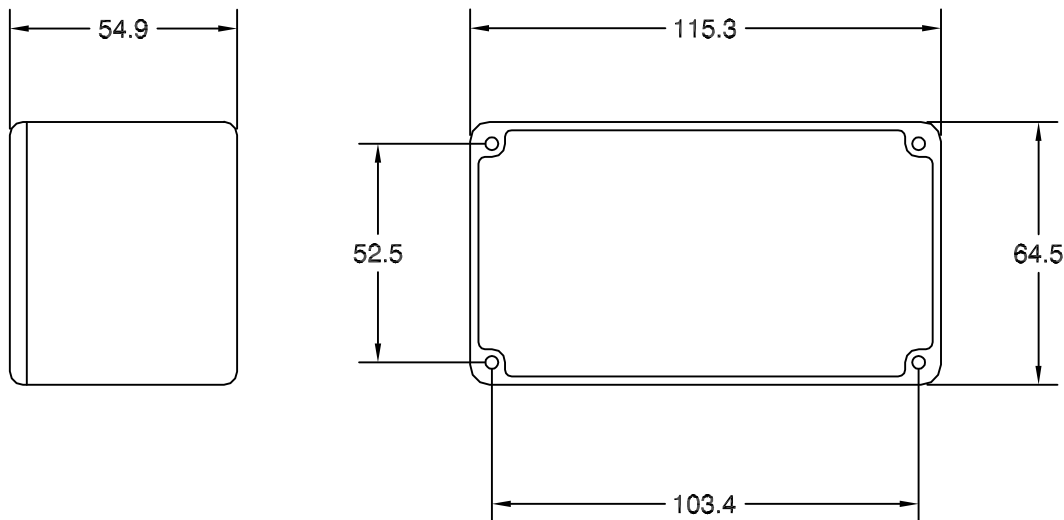
Vi reserverar oss mot fel samt förbehåller oss rätten till ändringar utan föregående meddelande

ELFA artikelnr

50-024-31 Skärmbox 114x64x55 mm 461-0040

50-025-48 Skärmbox 114x64x55 mm 459-0040

Dimensions



TAPER 1.5° PER SIDE
BASE TO LID

Description

A range of diecast boxes in various sizes, manufactured in a robust aluminium alloy. These lightweight enclosures provide excellent screening against EMI/RFI and are therefore ideal housing for electronic components and circuits.

The close fitting lid is secured using four countersunk screws. The box comes in a plain finish.

Features

MATERIAL BOX & LID	:Aluminium Alloy LM24
SCREWS	:Mild Steel M3.5x9
WALL THICKNESS	:2.0mm

CONVERTED FROM COREL. PS0257 ISS3

ALL DIMENSIONS IN MM / ANGLES IN DECIMAL DEGREES

DrgNo 459-0040-GS

TITLE DIECAST BOX - 'D' SIZE



ISSUE 4

GENERAL SPECIFICATION
FOR 459-0040

CUSTOMER
FILTER REF

Sheet 1 of 1 | Aprvd Date 08/04/02 | Aprvd By MC | Drwn by BS | SCALE NTS | CNN--- | Location N: \LONDON\GS\LGS00026

©DELTRON EMCON LTD, ROXBURGH HOUSE, FOXHILLS INDUSTRIAL PARK, SCUNTHORPE, NORTH LINCOLNSHIRE, DN15 8QJ TEL +44 1724 281770 F +44 1724 270230