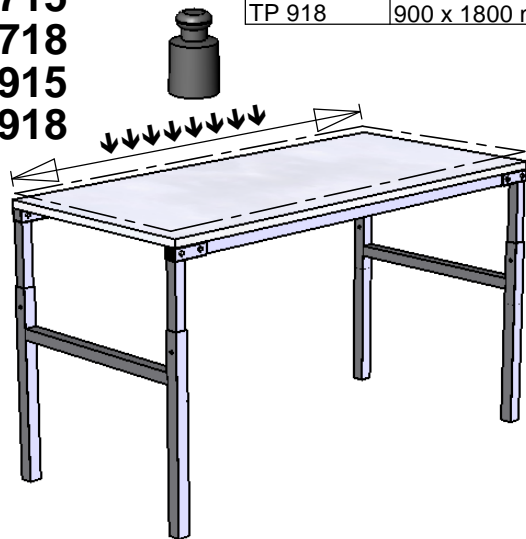
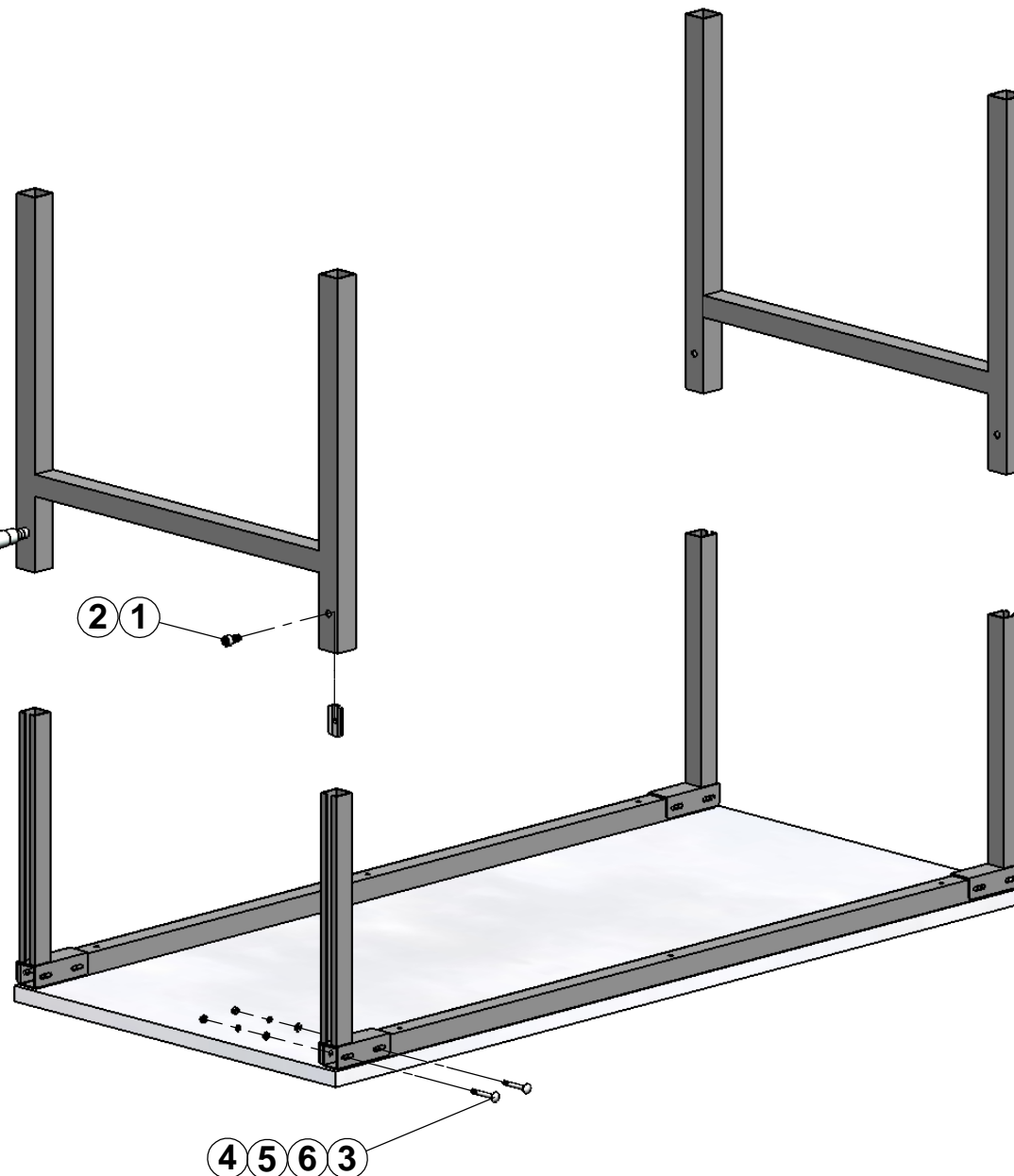


TP 507  
TP 510  
TP 515  
TP 710  
TP 712  
TP 715  
TP 718  
TP 915  
TP 918

|        |               |               |
|--------|---------------|---------------|
| TP 507 | 500 x 700 mm  | <b>150 kg</b> |
| TP 510 | 500 x 1000 mm |               |
| TP 515 | 500 x 1500 mm |               |
| TP 710 | 700 x 1000 mm | <b>300 kg</b> |
| TP 712 | 700 x 1200 mm |               |
| TP 715 | 700 x 1500 mm |               |
| TP 718 | 700 x 1800 mm |               |
| TP 915 | 900 x 1500 mm |               |
| TP 918 | 900 x 1800 mm |               |



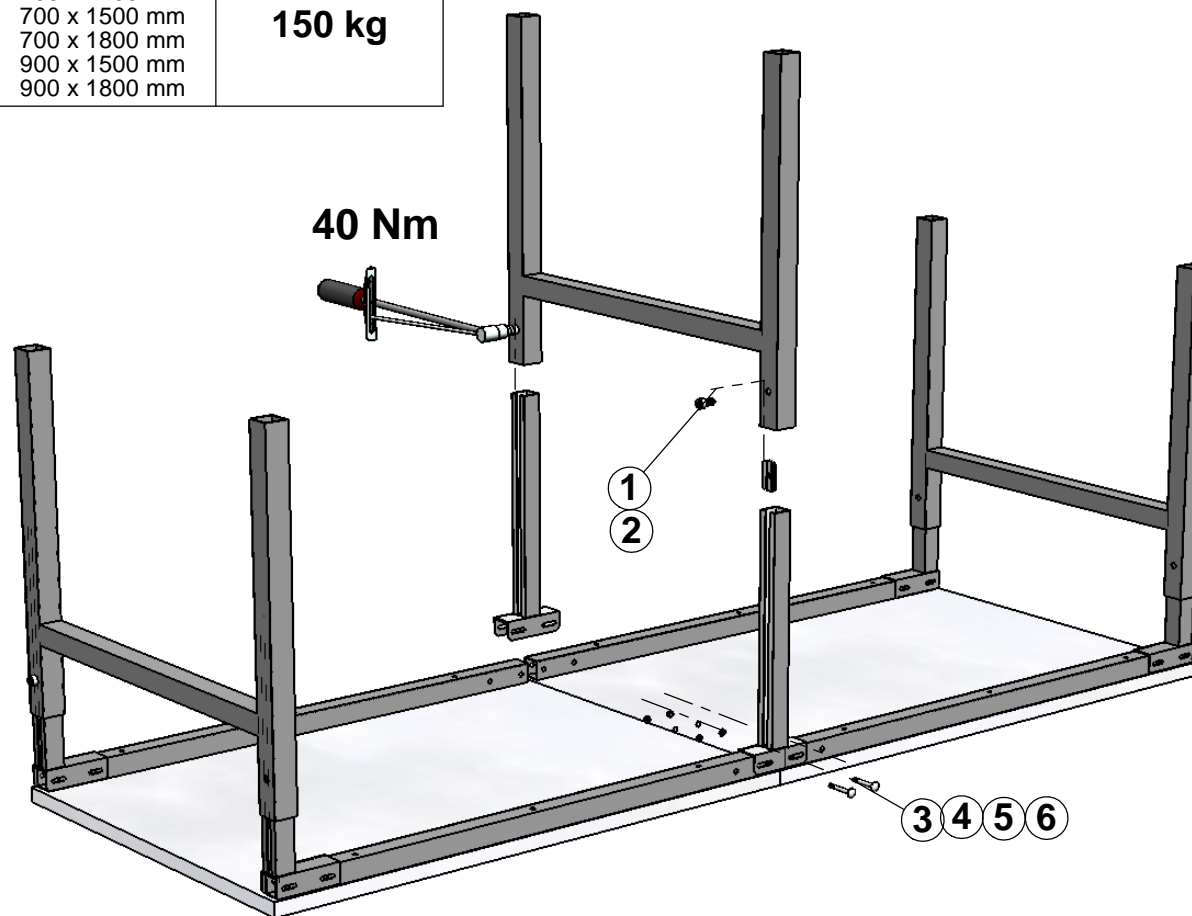
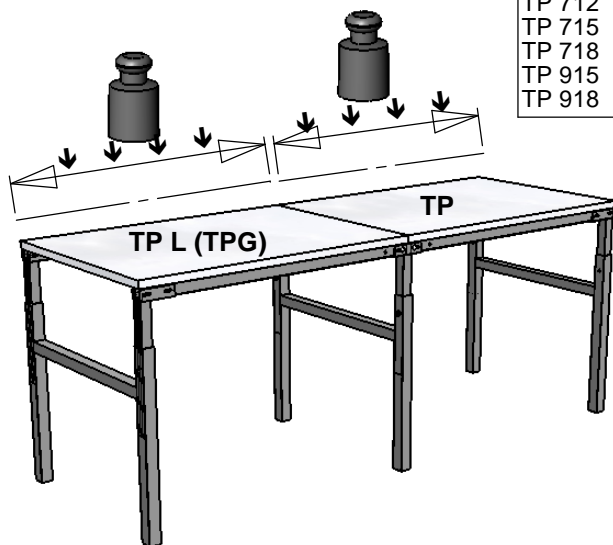
40 Nm  
(4 x)



|   |  |          |     |
|---|--|----------|-----|
| ① |  | M10 x 20 | 4 x |
| ② |  | M10      | 4 x |
| ③ |  | M6 x 50  | 8 x |
| ④ |  | M6       | 8 x |
| ⑤ |  | 6,4      | 8 x |
| ⑥ |  | 6,4      | 8 x |

**TP 710L (TPG 710)**  
**TP 712L (TPG 712)**  
**TP 715L (TPG 715)**  
**TP 718L (TPG 718)**  
**TP 915L (TPG 915)**  
**TP 918L (TPG 918)**

|                   |               |               |
|-------------------|---------------|---------------|
| TP 710L (TPG 710) | 700 x 1000 mm | <b>150 kg</b> |
| TP 712L (TPG 712) | 700 x 1200 mm |               |
| TP 715L (TPG 715) | 700 x 1500 mm |               |
| TP 718L (TPG 718) | 700 x 1800 mm |               |
| TP 915L (TPG 915) | 900 x 1500 mm |               |
| TP 918L (TPG 918) | 900 x 1800 mm |               |
| TP 710            | 700 x 1000 mm | <b>150 kg</b> |
| TP 712            | 700 x 1200 mm |               |
| TP 715            | 700 x 1500 mm |               |
| TP 718            | 700 x 1800 mm |               |
| TP 915            | 900 x 1500 mm |               |
| TP 918            | 900 x 1800 mm |               |



|   |  |          |     |
|---|--|----------|-----|
| ① |  | M10 x 20 | 2 x |
| ② |  | M10      | 2 x |
| ③ |  | M6 x 50  | 4 x |
| ④ |  | M6       | 4 x |
| ⑤ |  | 6,4      | 4 x |
| ⑥ |  | 6,4      | 4 x |