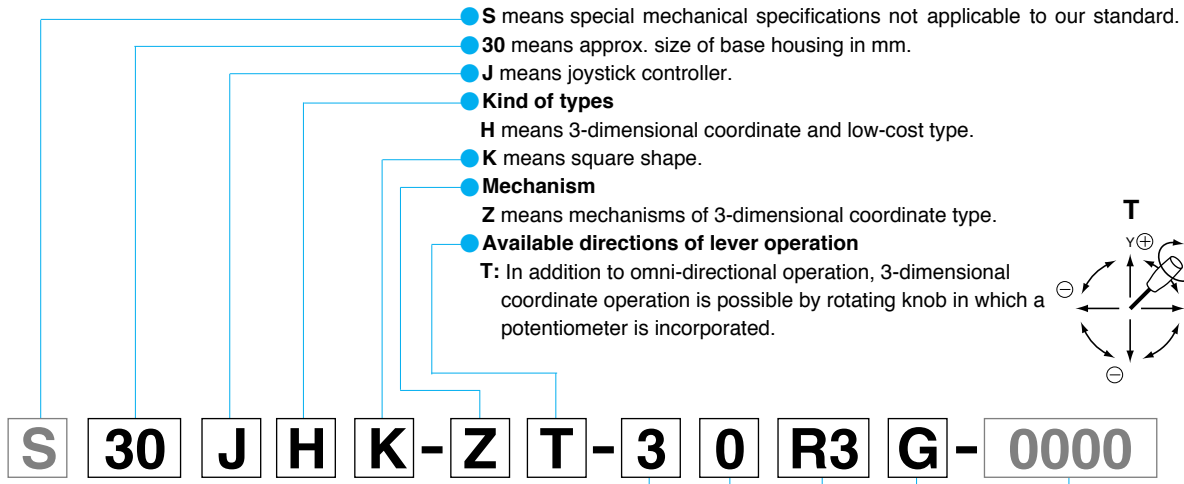


30JH

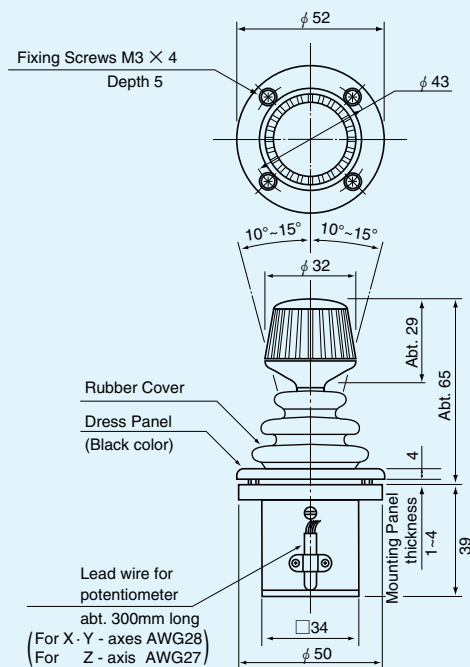
Potentiometer with a conductive plastic resistive element

Nomenclature

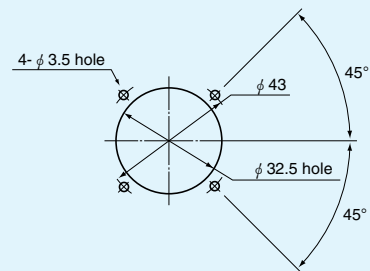


- Number of potentiometers to be incorporated.**
- 2...2 potentiometers incorporated (in case of the knob with an incorporated switch.)
 - 3...3 potentiometers incorporated.
- Number of Switches to be incorporated.**
- 0...no switch incorporated.
 - 2...2 switches incorporated (These switches are active at the both ends of Z axis. These switches are incorporated inside Z-axis instead of potentiometer. This is special version.)
- With spring return device :**
- R3** : with spring return device for 3-dimensional coordinate type. (30JH standard option)
- Mounting accessories :** **G**: with dust proof rubber cover. (30JH standard option) **P**: with sub-panel for mounting.
- Special part number :**
- In case we produce customized products, we add 4-digit branch number.

Standard Dimensions



Panel Arrangements



- Note: 1) 4 pcs. of mounting screws (M3 X 8) are attached.
 2) Fastening torque of fixing screws shall be below 400mN·m(4kgf·cm).

(Unit : mm)

