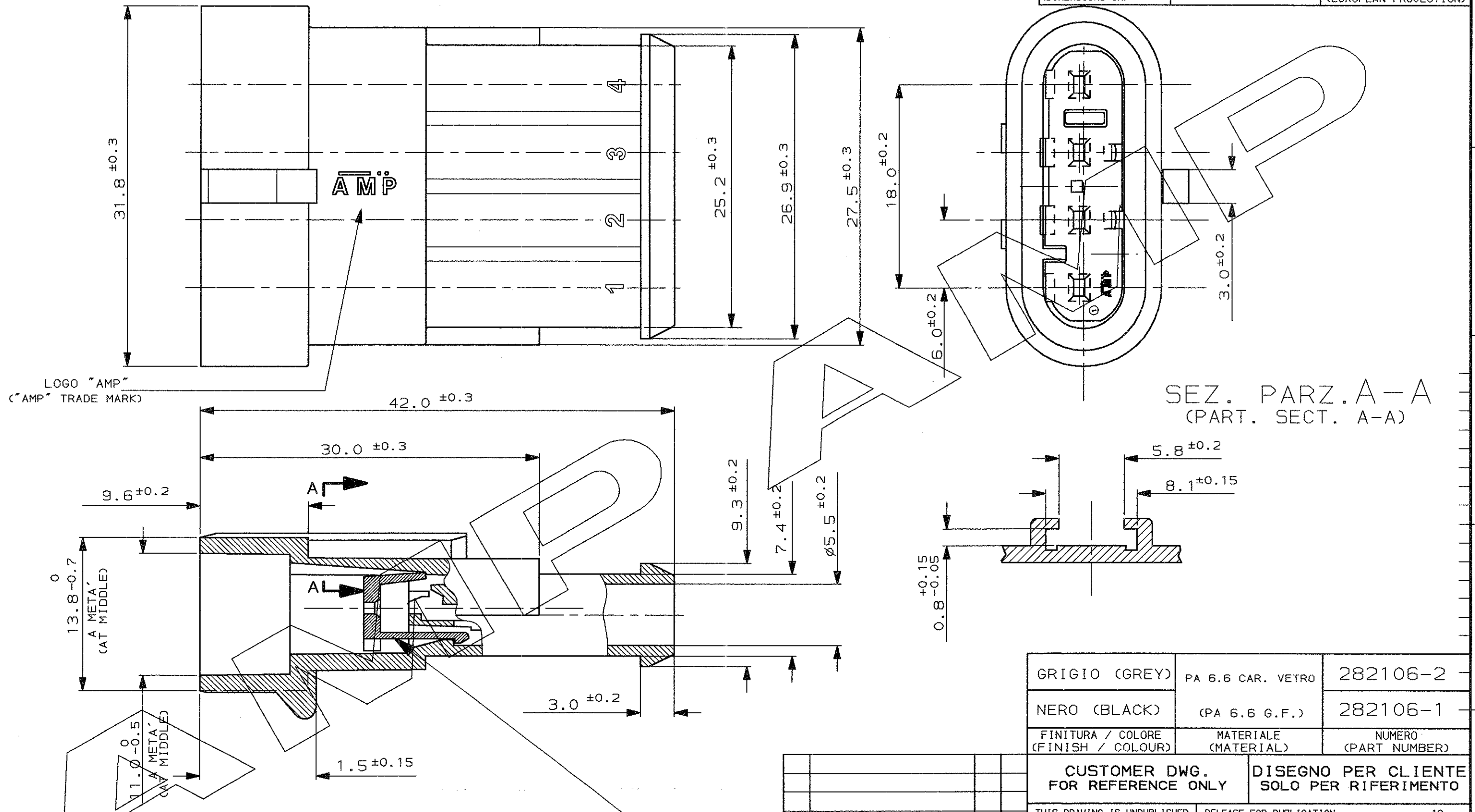


SCALA NON IMPEGNATIVA
(DO NOT SCALE)
DIMENSIONI IN mm
(DIMENSIONS IN mm)

METRIC

PROIEZIONE EUROPEA
(EUROPEAN PROJECTION)



LOGO "AMP"
("AMP" TRADE MARK)

SEZ. PARZ. A-A
(PART. SECT. A-A)

AGGANCIAMENTO SECONDARIO, COLORE ROSSO, PRE-ASSEMBLATO
(SECONDARY LOCK, RED COLOUR, IN PRE-ASSEMBLED POSITION)

GRIGIO (GREY)	PA 6.6 CAR. VETRO	282106-2
NERO (BLACK)	(PA 6.6 G.F.)	282106-1
FINITURA / COLORE (FINISH / COLOUR)	MATERIALE (MATERIAL)	NUMERO (PART NUMBER)

CUSTOMER DWG. FOR REFERENCE ONLY **DISEGNO PER CLIENTE SOLO PER RIFERIMENTO**

~~THIS DRAWING IS UNPUBLISHED~~ RELEASE FOR PUBLICATION 19

© COPYRIGHT 19 BY AMP INCORPORATED, HARRISBURG, PA. ALL INTERNATIONAL RIGHTS RESERVED. AMP PRODUCTS MAY BE COVERED BY U.S. AND FOREIGN PATENT AND/OR PATENT PENDING

TOLLERANZE, SE NON DIVERSAMENTE SPECIFICATO
(TOLERANCES, UNLESS OTHERWISE SPECIFIED)

DIAM. ISOLANTE (INS. DIA. RANGED)	RANGO FILO (WIRE RANGE)	SCALA (SCALE)
-	-	-

A2	REVISED FOR ET00-0264-01	M.G.	07-02 2002	ANGOLI (ANGLES) ± 0.3
A1	REVISED FOR ET00-0072-98	M.P.	07-04 1998	ANGOLI (ANGLES) ± 2°
A	DIM. S 25.2 & 27.2 WERE 25.0 & 26.0 (ECN ET00 0018-95)	AB	26-1 95	DIS. (DR.) C. BERTINI 2-90
5	UP-DATED	C.B.	10-92	CONT. (CHK) 2-90
4	ADDED PN ...-2	C.B.	8-92	A. BRUNI
REV.	REVISIONI (REVISION RECORD)	DIS. DATA (DR)	DATA (DATE)	APP. (APP.)

AMP AMP ITALIA S.p.A.
Corso F.lli Cervi, 15
COLLENO (TORINO)

DESCRIZIONE (DESCRIPTION)	4 POS TAB ASS'Y
AMP SUPERSEAL 1.5 SERIES CONNECTORS	
LOC. SIZE	NUMERO (DWG NO)
I A3	C-282106
REV.	FUOGIO (SHEET)
A2	1 DI (OF) 1

DISTRIBUZIONE (PRINT DIST.)