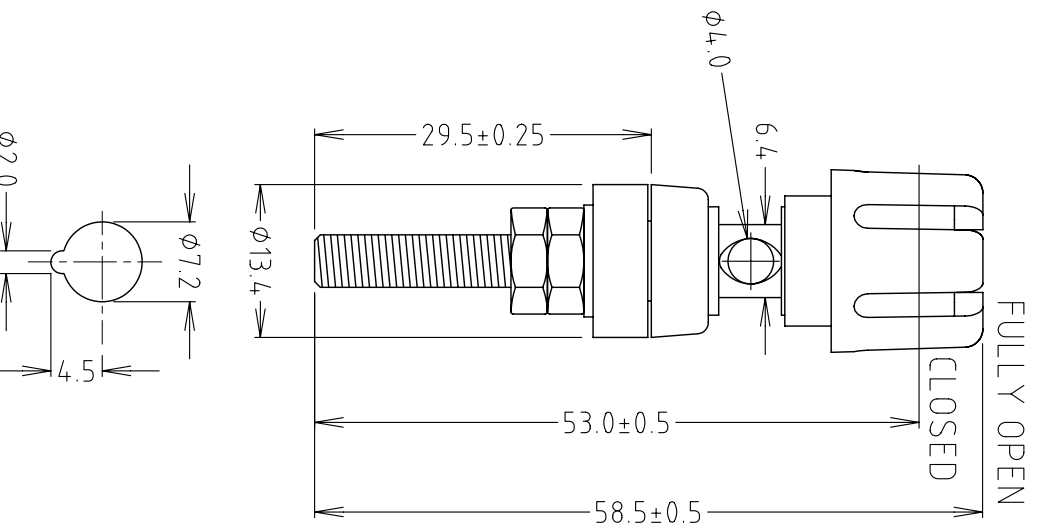
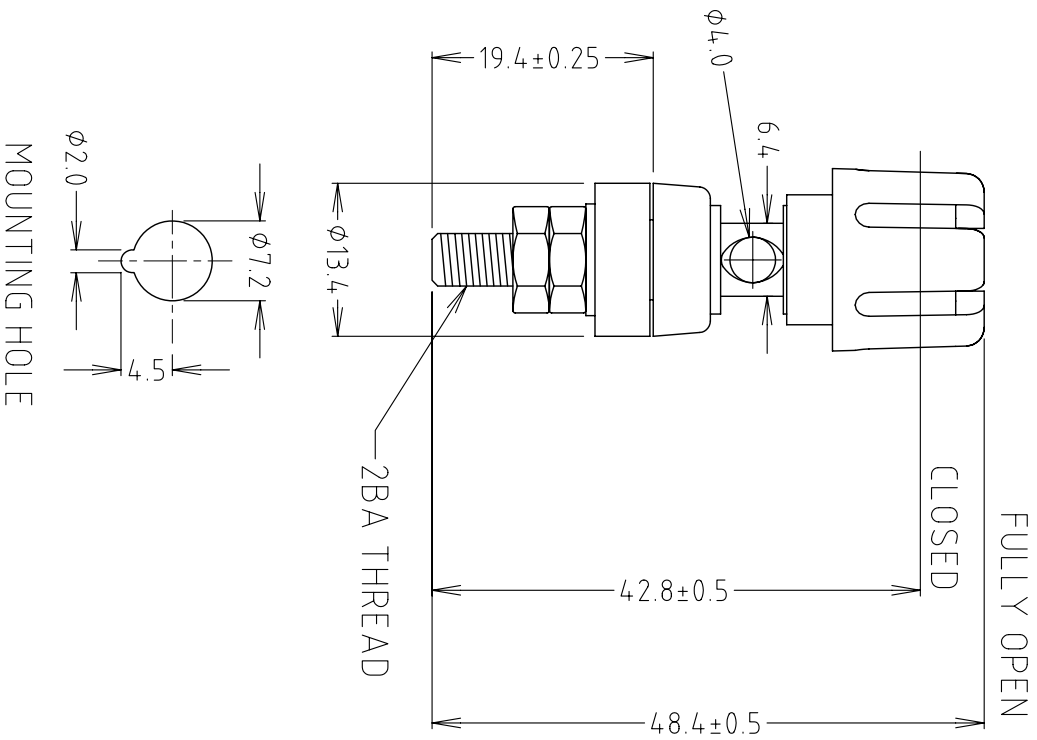


TP/6

TP/6L



FULLY OPEN

FULLY OPEN

CLOSED

CLOSED

2BA THREAD

MOUNTING HOLE

MOUNTING HOLE

DIMENSIONS IN MILLIMETERS UNLESS OTHERWISE STATED. WORK TO DIMENSIONS. DO NOT SCALE DRAWING. 3RD ANGLE PROJECTION. REMOVE ALL BURRS. IF IN DOUBT ASK.

**Cliff Electronic Components Ltd.**

76 Holmehorpe Ave., Holmehorpe Ind Estate,  
Redhill, Surrey, RH1 2PF, England  
Tel: 01737-775315 Fax: 01737-766012

MATERIAL	POLYPROP / BRASS
FINISH	AS MOULDED / NI PLATED / Au PLATED
DRAWN	CAMJ
APPD.	RWT

TITLE	TERMINAL POST TP/6 & TP/6L
DRWG. No.	DESIGN CHNG REF 220609

FORM:	ADDRWGH
-------	---------

**ROHS COMPLIANT**

TOLERANCE  
 NO DEC. PLACE ±  
 1 DEC. PLACE ±  
 2 DEC. PLACE ±  
 HOLE DIA. ±  
 ANGLES ± 1/2°  
 UNLESS  
 OTHERWISE STATED  
 WHERE USED F.R.

SCALE N.T.S.

ISS.	AMEND	DATE
A	FOR REF ONLY	23/6/09