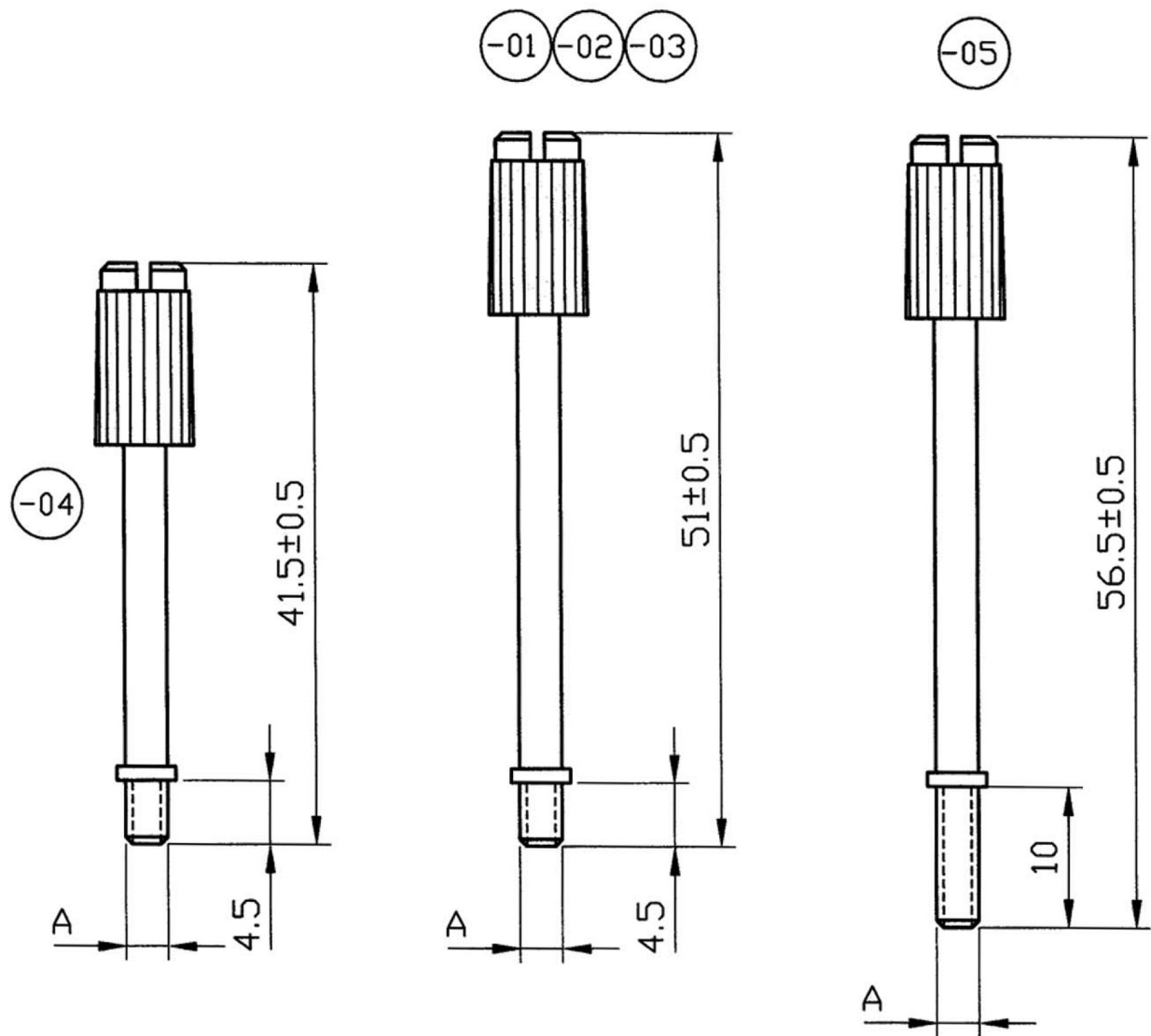


No.	Changes and/or Note No.	Date	Sign	No.	Changes and/or Note No.	Date	Sign

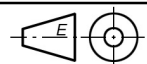


-06		
-05	UNC4-40	
-04	UNC4-40	
-03	M3.0	
-02	M2.5	
-01	UNC4-40	
VAR	A	B

DATE 040629	DRAWN MRR	SCALE	MATERIAL TYPE
	APPROVED		REPLACES



Jackscrew - Standard
Black Plastic Knob



DRAWING No.

6718-0101