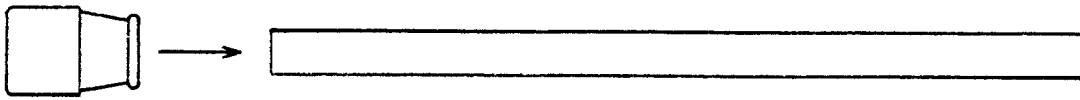
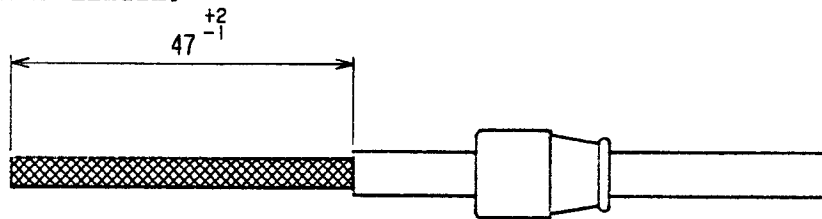


CABLE ASSEMBLY INSTRUCTION FOR MP-125M

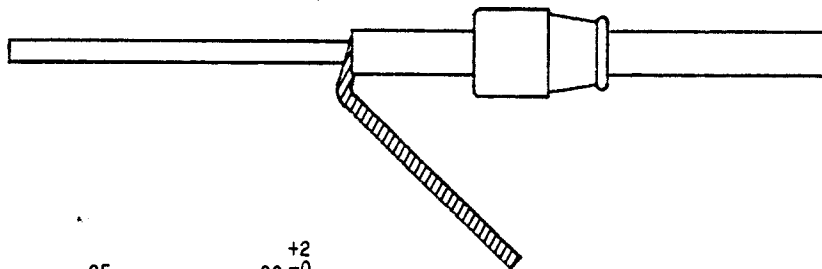
STEP 1. SLIDE THE PLASTIC COVER ONTO CABLE.



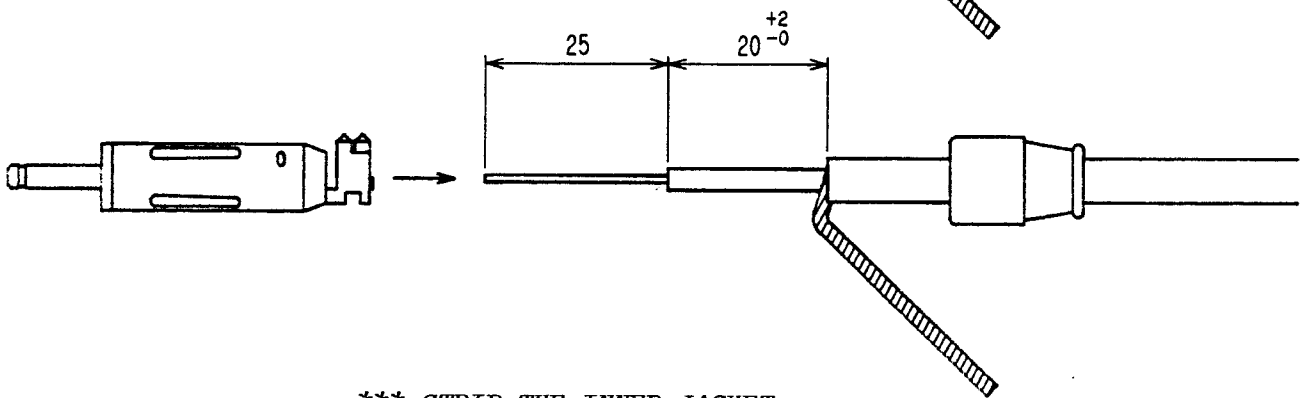
STEP 2. STRIP THE CABLE OUTER JACKET ACCORDING TO THE FOLLOWING RECOMMENDED LENGTH.



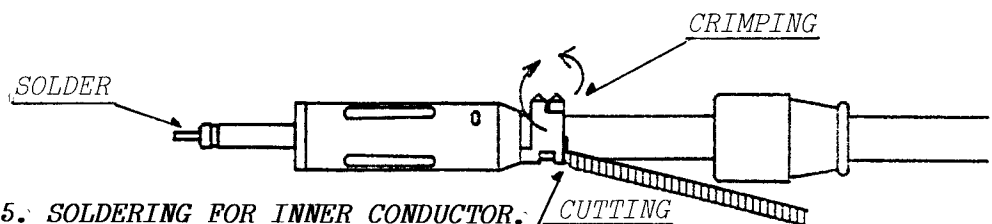
STEP 3. TWIST AND FOLD BACK BRAID WIRE.



STEP 4. ***



*** STRIP THE INNER JACKET AS PER THE RECOMMENDED LENGTH, THEN PUSH CABLE INTO THE MAIN BODY UNTIL IT STOP.



STEP 5. SOLDERING FOR INNER CONDUCTOR.

STEP 6. CRIMPING FOR BACK BRAID. (PRE-CRIMP BY HAND THEN BY TOOL).

STEP 7. CUTTING FOR BACK BRAID WITH SUITABLE LENGTH FOR ASSEMBLY.

STEP 8. PUSH THE PLASTIC COVER ONTO MAIN BODY.