

**TECHNICAL SPECIFICATIONS**

**D-Sub Hood:**

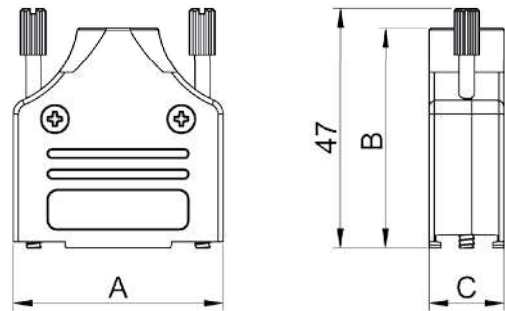
Material: Zinc, Nickel Plated  
 Operating Temperature: -40°C to +120°C  
 Cable Entry: Top Entry  
 Thumbscrews: UNC 4-40 (Standard)  
 Cable O.D: Up to 13mm

**D-Sub High Density:**

Insulator: PBT, Black, UL94 V-0  
 Shell: Stamped Steel, Tin Plated  
 Contact pins: Copper Alloy  
 Stamped & Formed pins: 100 inserts min  
 Contacts Plating: Selective Gold over Nickel  
 Operating Temperature: -55°C to +105°C  
 Withstanding voltage: 500V for 1 minute  
 Insulator resistance: 500MΩ min

**Features:**

- Available in sizes 9-15-25-37
- 360° EMI Shielding
- Quick assembly
- Supports all types of cables
- Suitable for any common D-Sub connector



D-Sub-Hood

| Size MHDM | Dim A | Dim B | Dim C |
|-----------|-------|-------|-------|
| 9-way     | 32,2  | 41,3  | 15,4  |
| 15-way    | 40,6  | 43,3  | 15,4  |
| 25-way    | 54,5  | 49,5  | 15,4  |
| 37-way    | 70,7  | 54,3  | 15,4  |

**Ordering information:**

**D-Sub Connector Kits (100 inserts min.)**

| Size: | P/N - Kitted: | Product Code - MALE Conn. Kit |
|-------|---------------|-------------------------------|
| HD 15 | 6355-0059-01  | MHDM-09-HDP15-K               |
| HD 26 | 6355-0059-02  | MHDM-15-HDP26-K               |
| HD 44 | 6355-0059-03  | MHDM-25-HDP44-K               |
| HD 62 | 6355-0059-04  | MHDM-37-HDP62-K               |

| Size: | P/N - Kitted: | Product Code - FEMALE Conn. Kit |
|-------|---------------|---------------------------------|
| HD 15 | 6355-0059-11  | MHDM-09-HDS15-K                 |
| HD 26 | 6355-0059-12  | MHDM-15-HDS26-K                 |
| HD 44 | 6355-0059-13  | MHDM-25-HDS44-K                 |
| HD 62 | 6355-0059-14  | MHDM-37-HDS62-K                 |