

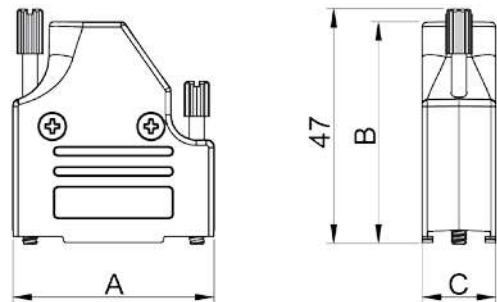
**TECHNICAL SPECIFICATIONS**

**D-Sub Hood:**

Material: Zinc, Nickel Plated  
 Operating Temperature: -40°C to +120°C  
 Cable Entry: Side Entry 35°  
 Thumbscrews: UNC 4-40 (Standard)  
 Cable O.D: Up to 13mm

**D-Sub High Density:**

Insulator: PBT, Black, UL94 V-0  
 Shell: Stamped Steel, Tin Plated  
 Contact pins: Copper Alloy  
 Stamped & Formed pins: 100 inserts min  
 Contacts Plating: Selective Gold over Nickel  
 Operating Temperature: -55°C to +105°C  
 Withstanding voltage: 500V for 1 minute  
 Insulator resistance: 500MΩ min



D-Sub-Hood

**Features:**

- Available in sizes 9-15-25-37
- 360° EMI Shielding
- Quick assembly
- Supports all types of cables
- Suitable for any common D-Sub connector

Size MHDM35	Dim A	Dim B	Dim C
9-way	43,0	32,0	15,5
15-way	43,0	40,4	15,5
25-way	48,0	54,0	15,5
37-way	53,0	70,5	15,5

**Ordering information:**

**D-Sub Connector Kits (100 inserts min.)**

Size:	P/N - Kitted:	Product Code - MALE Conn. Kit
HD 15	6355-0060-01	MHDM35-09-HDP15-K
HD 26	6355-0060-02	MHDM35-15-HDP26-K
HD 44	6355-0060-03	MHDM35-25-HDP44-K
HD 62	6355-0060-04	MHDM35-37-HDP62-K

Size:	P/N - Kitted:	Product Code - FEMALE Conn. Kit
HD 15	6355-0060-11	MHDM35-09-HDS15-K
HD 26	6355-0060-12	MHDM35-15-HDS26-K
HD 44	6355-0060-13	MHDM35-25-HDS44-K
HD 62	6355-0060-14	MHDM35-37-HDS62-K