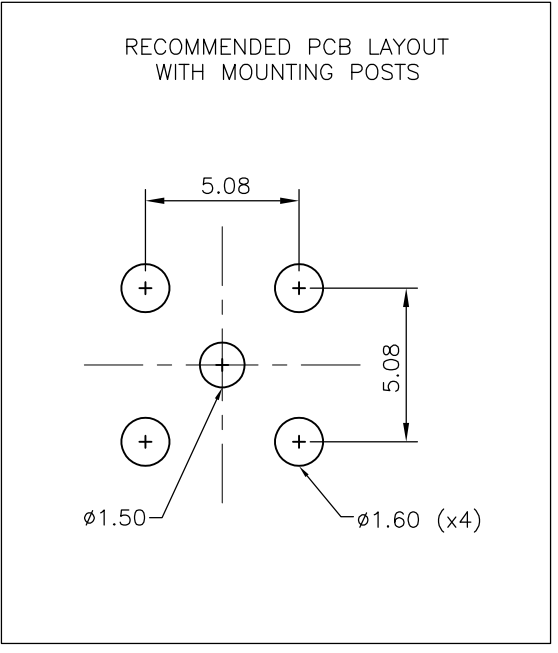
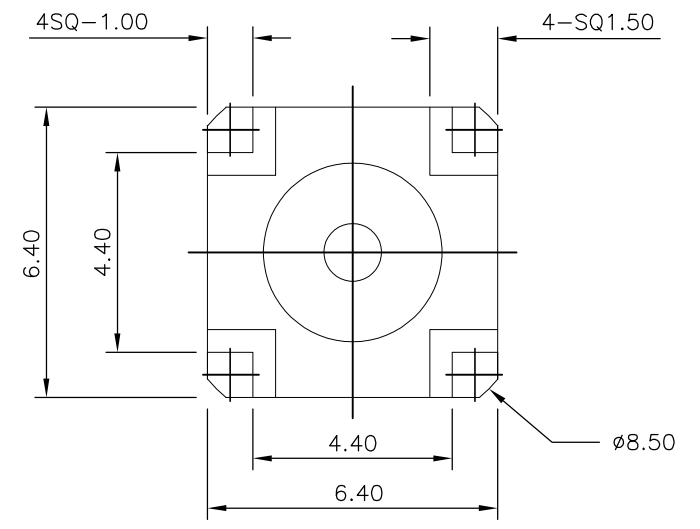
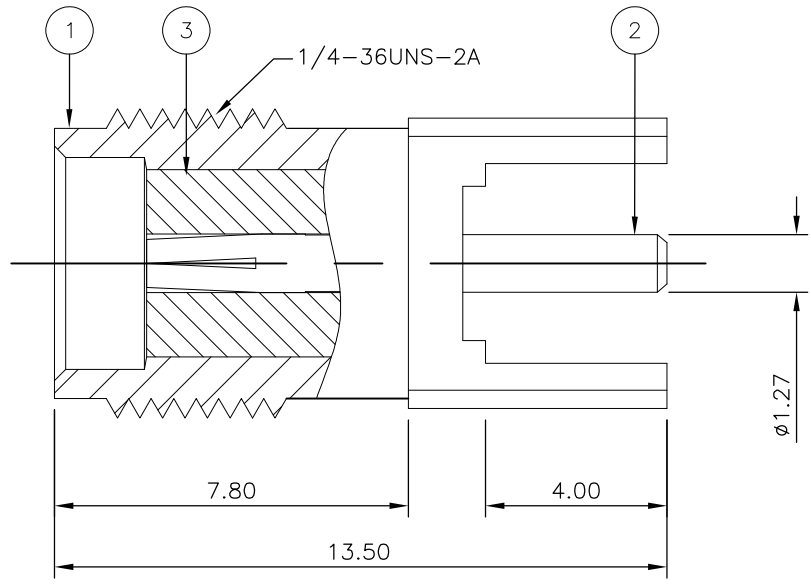


THIS DRAWING IS UNPUBLISHED. RELEASED FOR PUBLICATION JULY, 2006.
 © COPYRIGHT 2006 By - ALL RIGHTS RESERVED.

LOC	DIST	REVISIONS			
P	LTR	DESCRIPTION	DATE	DWN	APVD
E	B	B1	REVISED PER ECO-11-005033	31MAR11	RK HMR

- NOTES**
- 1 SINGLE PACK IN ACCORDANCE WITH AMP SPEC 107-3275
 - 2 100 TRAY PACK IN ACCORDANCE WITH AMP SPEC 107-3275
 - 3 Au PLATING



QTY	PLC	DESCRIPTION	MATERIAL	DESCRIPTION	ITEM
1	1	PTFE		INSULATOR	3
1	1	PHOSPHER BRONZE	3	SOCKET	2
1	1	ZINC ALLOY	3	BODY	1
5	15				

THIS DRAWING IS A CONTROLLED DOCUMENT.		DWN ANSON MA 19FEB09	TE Connectivity SMA STRAIGHT PCB SOCKET DIE CAST				
DIMENSIONS: mm		CHK RITA ZUO 19FEB09				NAME	
TOLERANCES UNLESS OTHERWISE SPECIFIED:		APVD BOB ZHAO 19FEB09				PRODUCT SPEC	108-112000
0 PLC ± - 1 PLC ± - 2 PLC ± 0.2 3 PLC ± - 4 PLC ± - ANGLES ± -		APPLICATION SPEC					
MATERIAL SEE TABLE	FINISH -	WEIGHT -	SIZE A3	CAGE CODE 00779	DRAWING NO C-1814832	RESTRICTED TO -	
CUSTOMER DRAWING			SCALE NTS	SHEET 1 OF 1	REV B1		