

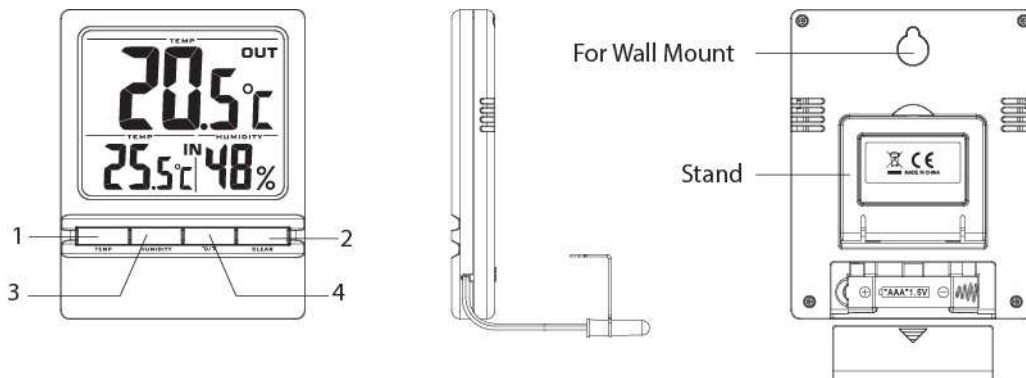


ETG918 Operating Instructions

1- FIRST STEPS

Place the thermo/hygrometer near a window. Hang it on the wall or place it on a nearby table. Lead the cable together with the sensing element through the open window to the outside. The cable adapts to the window sealing shape. But please take care of sharp-edged window frames—avoid frequent opening and closing of the window.

Open the battery compartment and insert one battery (Type AAA) in the correct polarity. Remove the protection foil from the LCD display. The unit is now ready to use.



Locations of Control

1. TEMP Button (to read MAX/MIN records of thermometer)
2. CLEAR Button
3. HUMIDITY Button (to read MAX/MIN records of hygrometer)
4. °C/°F Button

Feature

- Indoor-outdoor thermometer, indoor hygrometer
- Weather proof sensor wire (2.9m)
- Records minimum/maximum indoor/outdoor temperatures and indoor relative humidity.
- Celsius or Fahrenheit selectable.
- Temperature resolution: 0.1°C/ 0.1°F.
- Humidity resolution: 1%

2- OPERATING THE PRODUCT

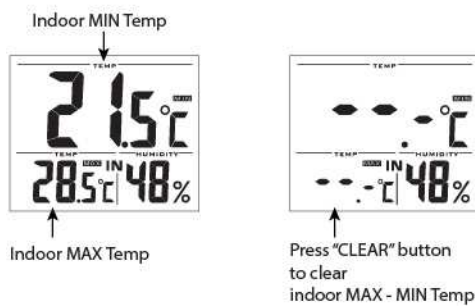
Setting Celsius (°C) or Fahrenheit (°F) Format

- Press °C/ °F button to toggle in between Celsius or Fahrenheit readout.

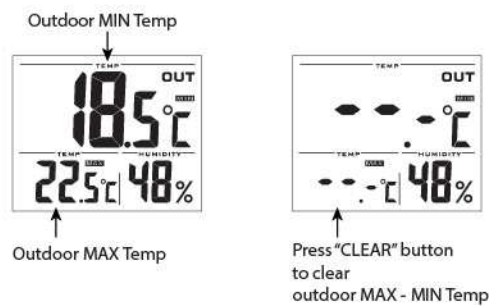
Viewing Indoor and Outdoor Temperature Record

- Press **TEMP** button once to read indoor Max and Min temperature. Press **CLEAR** button to clear indoor Max/Min temp data.
- Press **TEMP** button again to read outdoor Max and Min temperature. Press **CLEAR** button to clear outdoor Max/Min temp data.
- Press **TEMP** button again or wait for 5 seconds, display will resume to normal temp display mode.

To read INDOOR MAX-MIN Temperature
1st press TEMP button



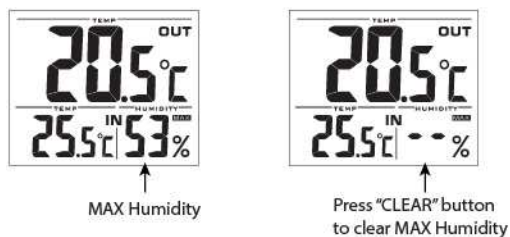
To read OUTDOOR MAX-MIN Temperature
2nd press TEMP button



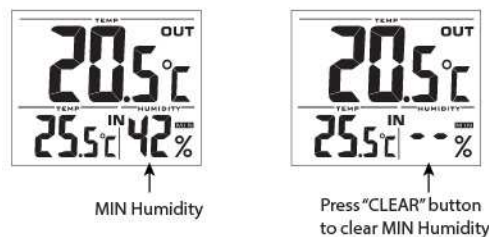
Viewing Indoor Humidity Record

- Press **HUMIDITY** button once to read indoor MAX relative humidity. Press **CLEAR** button to clear the MAX record.
- Press **HUMIDITY** button once to read indoor MIN relative humidity. Press **CLEAR** button to clear the MIN record.
- Press **HUMIDITY** button again or wait for 5 seconds, display will resume to normal hygrometer display mode.

Hygrometer
To read INDOOR MAX-MIN Relative Humidity
1st press HUMIDITY button



2nd press HUMIDITY button



3- IMPORTANT NOTES

- 1 When the display becomes too faint, the battery needs to be replaced to assure the products accuracy and functionality.
- 2 If any problem, remove the battery, test or replace the battery with a new one, then reinsert the good battery.
- 3 Dispose of waste battery according to the national rules.
- 4 The quality of the instrument won't be ensured if the product is damaged by negligence, improper usage or dismantling of the parts.

4- SPECIFICATIONS

Operating Temperature Range : +0°C to +40°C (+32°F to +104°F)

Indoor and Outdoor Temperature Measuring Range : -50°C to +70°C (-58°F to +158°F)

Temperature Display Resolution : 0.1°C / 0.1°F

Indoor Hygrometer Measuring Range : 20% to 95% rel. Humidity

Hygrometer Display Resolution : 1%

Accuracy (at nominal voltage):

±1.0°C (±1.8°F) in the range from 0-40°C (32°F~104°F)

±2.5°C (±4.5°F) in the other range

±5% rel. Humidity in the range from 40-70% at 25°C (77°F)

±10% in the other range, ±15% above 90% (all at 25°C / 77°F)

Power Source : 1x “AAA” battery, 1.5V battery

Battery Life : depending on type of battery, approx. 12 months

5- CARE INSTRUCTIONS

- Do not expose the device to extreme temperatures or direct sunlight over longer periods.
- Avoid blows and shocks of any kind to the device.
- For cleaning use a dry soft cloth that you have moistened with water and a mild cleaning agent. Never use volatile substances such as benzene, thinner, cleansing agents in spray cans etc.
- When the device is not being used, store it in a dry area and out of the reach of small children.
- If the device is activated under extreme coldness it may occur that the display becomes illegible. As soon as it is returned to a warm environment the device will function normally.
- Please keep the user's manual and other documents delivered with the device stored carefully so that you can reference them at a later point if necessary.
- Please use only new batteries
- Please also remember that old batteries should not be disposed of with household waste but should be handed in at the designated collection centers.

- Important: With all Irox appliances, all disposal fees in Switzerland (vRG; advance recycling fee) and in the EU (WEEE) have been paid.

6- SUPPORT

This device is a new development of Irox Development Technology. All information was made and checked by means of a functioning instrument. It may occur that adjustments and improvements of the device will take place that due to typographical procedures were not able to be listed in this manual. Should you notice deviations which make it difficult for you to operate and use the instrument you may at any time download the latest manual onto your PC free of charge at www.irox.com.

© Irox Development Technology