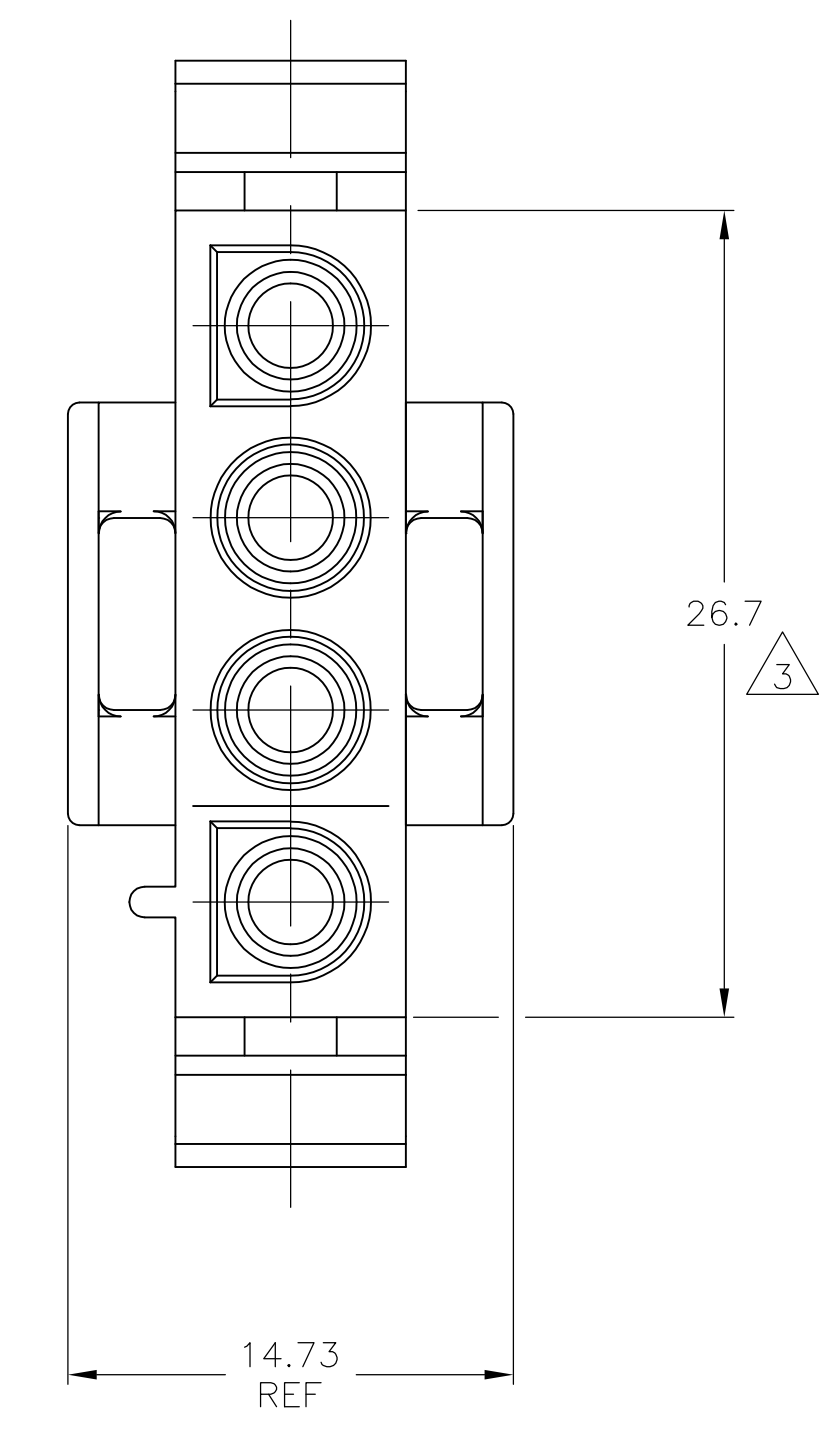
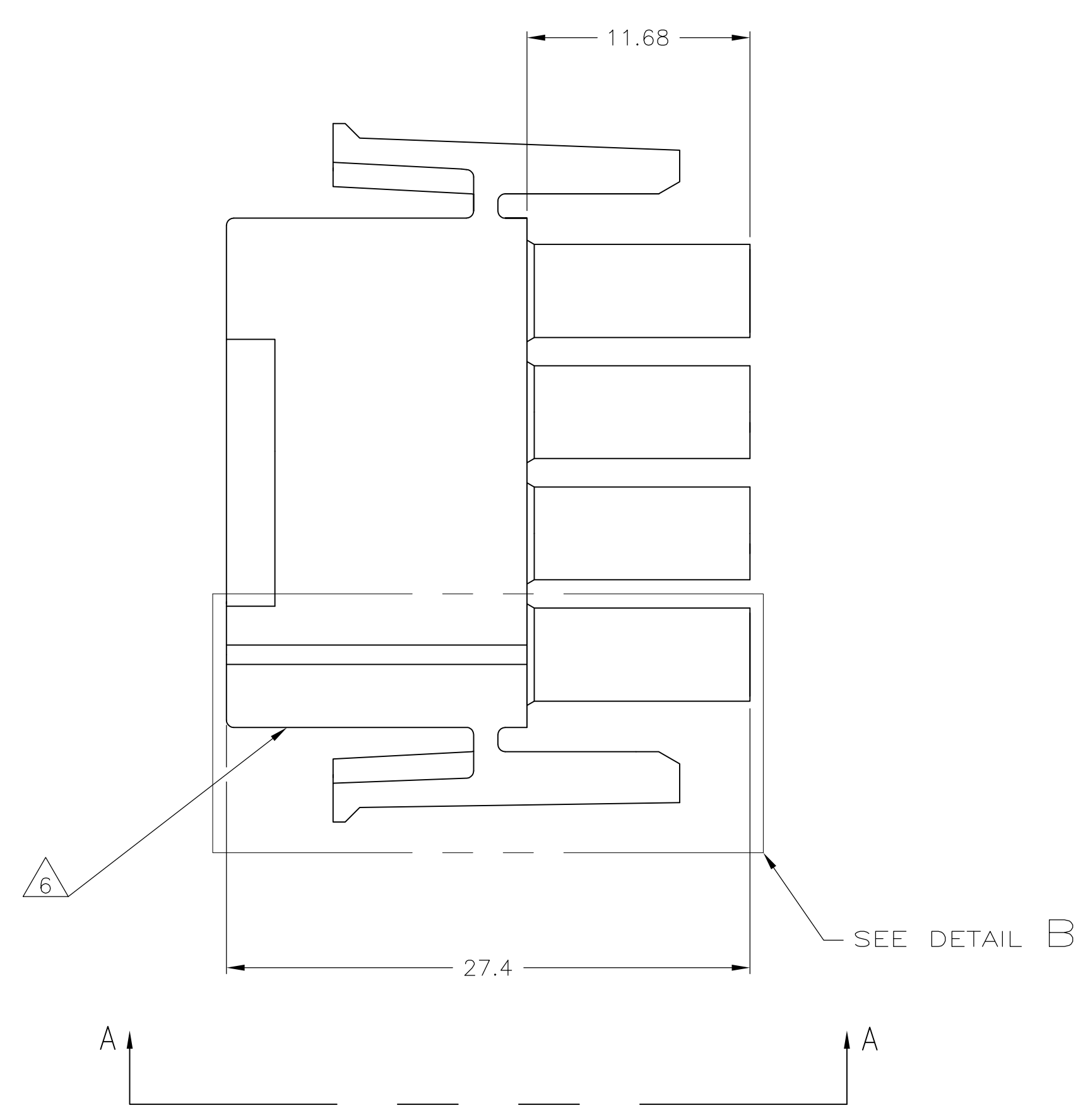
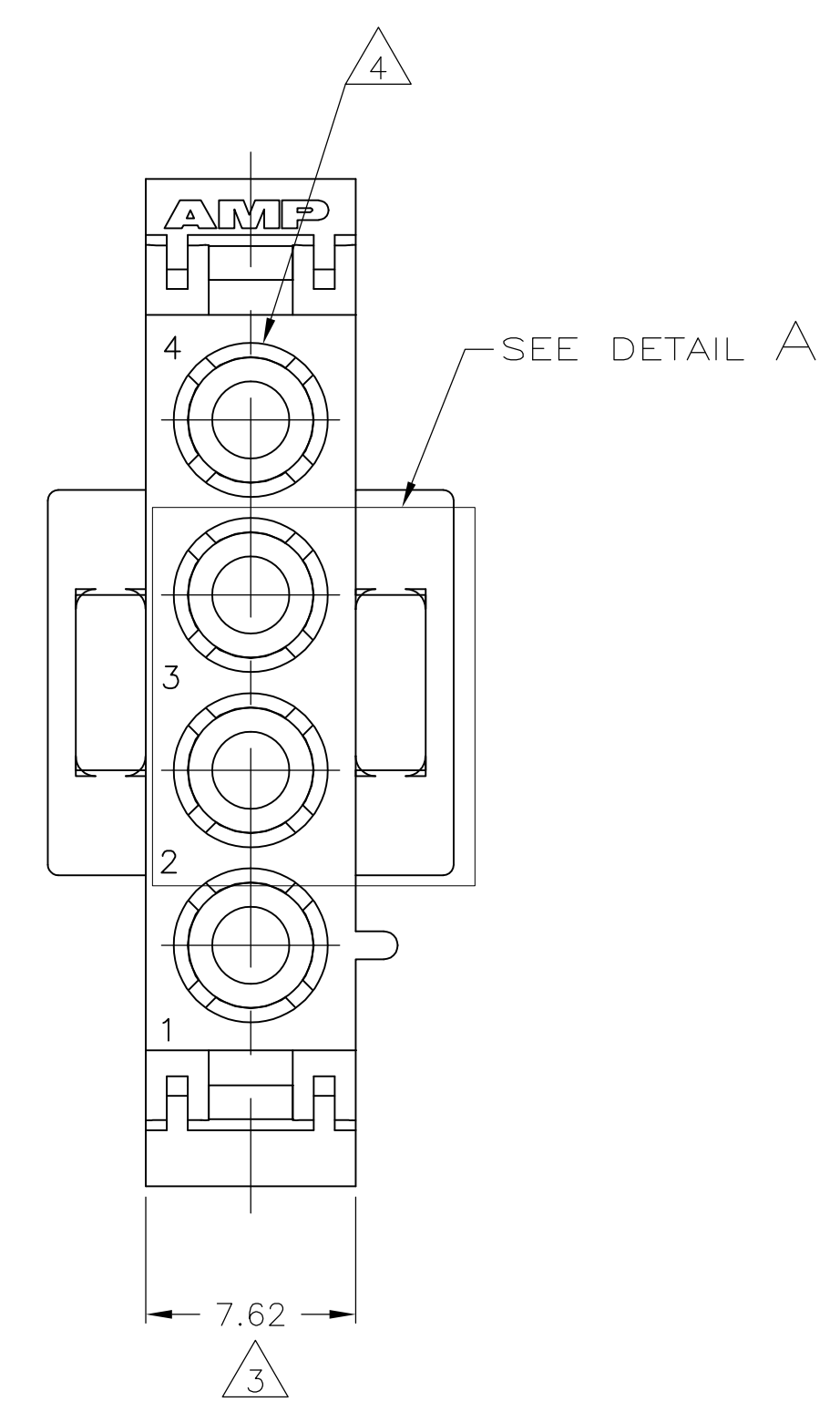
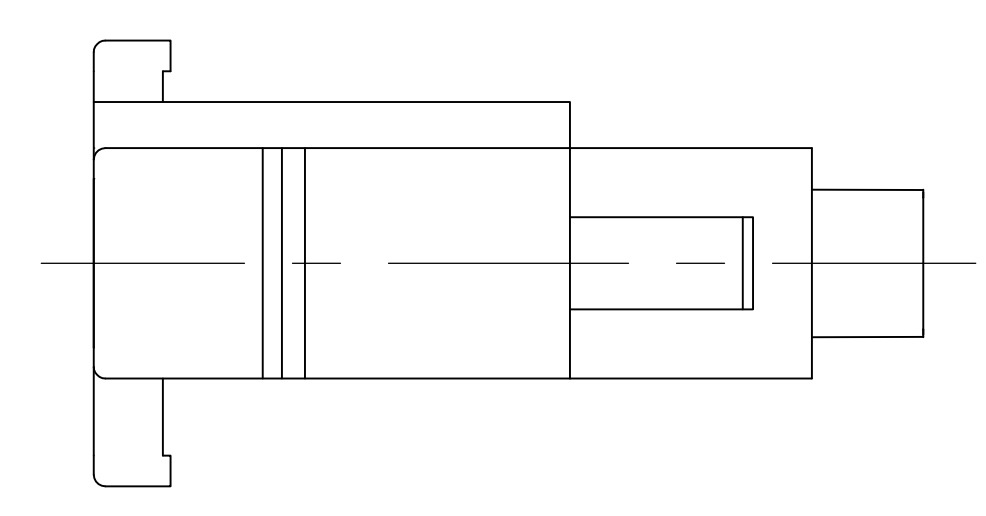


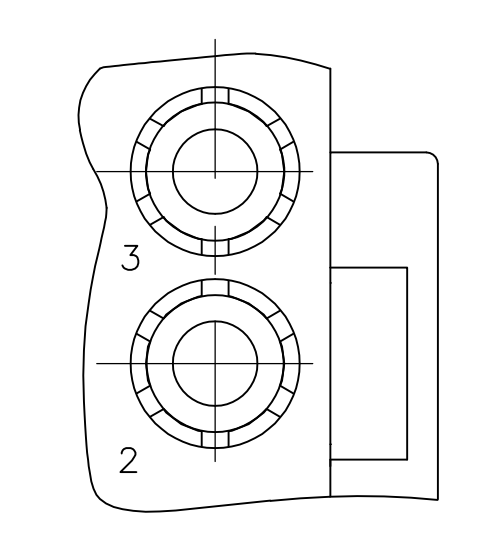
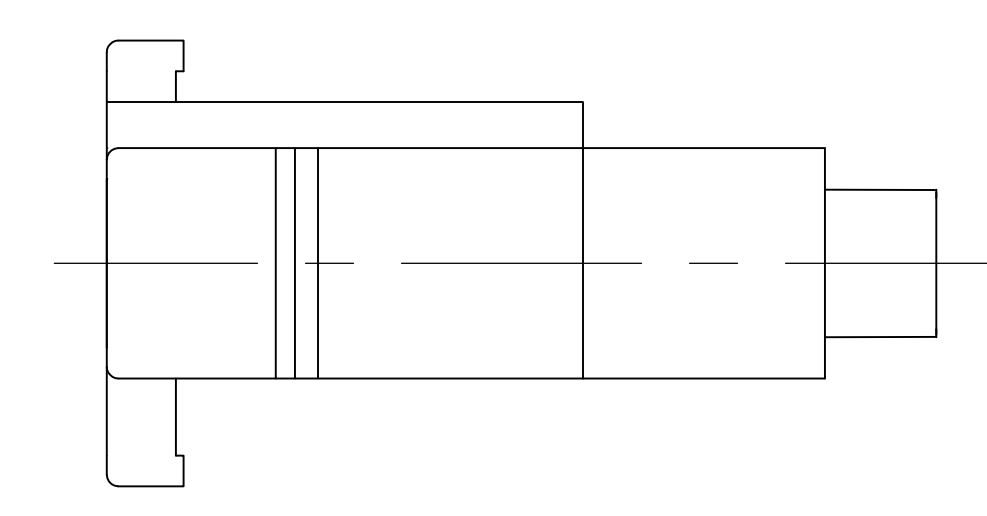
LOC		DIST		REVISIONS			
REV	DATE	DESCRIPTION	DATE	BY	APPV		
AB3	23AUG11	REVISED PER ECO-11-017114	23AUG11	JR	TM		
AB4	12FEB15	REVISED PER ECR-14-017738	12FEB15	AV	DZ		



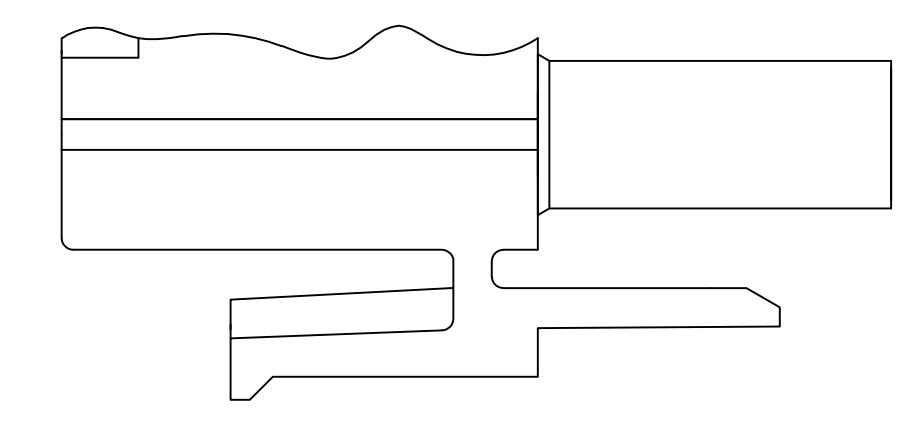
- MATES WITH APPROPRIATE UNIVERSAL MATE-N-LOK™ CAP OR HEADER.
- SMALL NICKS ARE PERMITTED ON THE CIRCUIT TOWERS WHICH COULD INCREASE THE INITIAL HOUSING MATING FORCE BY UP TO 4.4 NEWTONS [1.0 LBS]. NO INDIVIDUAL NICKED TOWER SHALL INCREASE THIS FORCE BY OVER 2.2 NEWTONS [.5 LBS].
- DIMENSION INDICATED IS AS MOLDED. ADDITIONAL GROWTH DUE TO SUBSEQUENT MOISTURE ABSORPTION MAY OCCUR.
- FOUR RIBS EQUALLY SPACED, NO SPECIFIC ORIENTATION. SIX RIBS EQUALLY SPACED, NO SPECIFIC ORIENTATION, OPTIONAL.
- NOT MANUFACTURED IN U.S.
- UNDERWRITERS RECOGNIZED COMPONENT LOGO AND CSA CERTIFICATION LOGO TO BE LOCATED ONCE EACH ON SIDE OF HOUSING.
- MATERIAL CORRESPONDING TO THE REQUIREMENT OF IEC60335-1 (INCL. GWT 750°C WITHOUT FLAME)
- PRELIMINARY PART. NOT RELEASED FOR PRODUCTION.



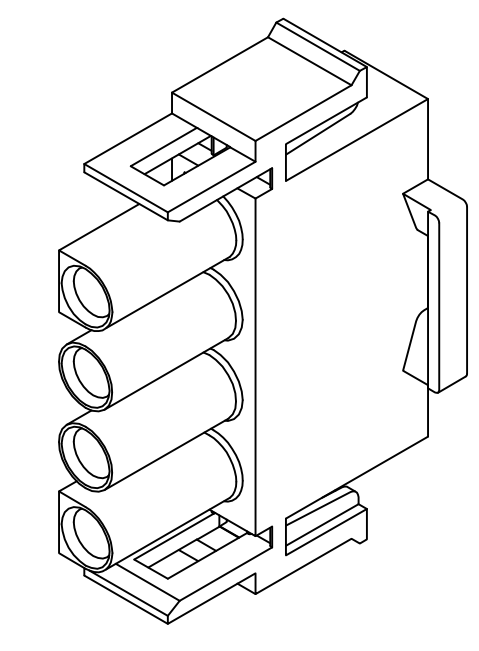
VIEW A-A
350779-4 ONLY



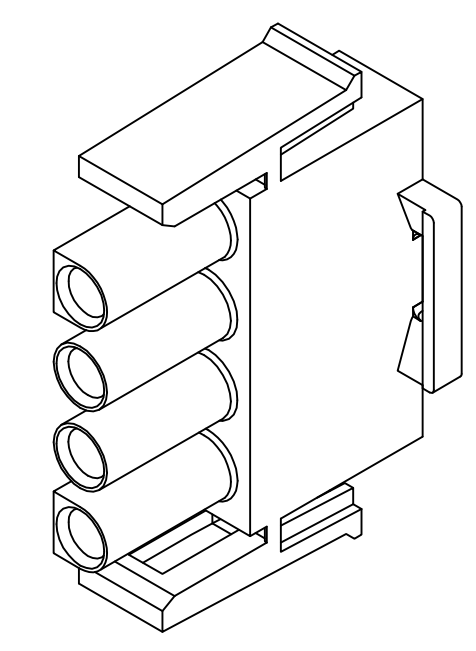
DETAIL A
OPTIONAL CONSTRUCTION



DETAIL B
350779-4 ONLY



350779-4 3-DIMENSIONAL MODEL
NTS



3-DIMENSIONAL MODEL
NTS

△ NATURAL	△ 350779-5
BLACK	1-350779-9
GRAY	1-350779-8
BLUE	1-350779-6
GREEN	1-350779-5
YELLOW	1-350779-4
ORANGE	1-350779-3
RED	1-350779-2
BROWN	1-350779-1
△	350779-4
NATURAL	350779-1
COLOR	PART NO.

THIS DRAWING IS A CONTROLLED DOCUMENT.

DIMENSIONS: mm	TOLERANCES UNLESS OTHERWISE SPECIFIED:	DIN R VESTAL 03FEB95	STE TE Connectivity
0 PLC ± .	1 PLC ± 0.4	CHK R SWING 03FEB95	NAME PLUG, 4 CIRCUIT, UNIVERSAL MATE-N-LOK™
2 PLC ± 0.20	3 PLC ± .	APPV D SELF 03FEB95	PRODUCT SPEC
4 PLC ± .	ANGLES ± 0°30'	APPLICATION SPEC	SIZE CAGE CODE DRAWING NO RESTRICTED TO
MATERIAL NYLON, UL 94V-0	FINISH	WEIGHT	A1 00779 C=350779
CUSTOMER DRAWING		SCALE 4:1	SHEET 1 OF 1 REV AB4