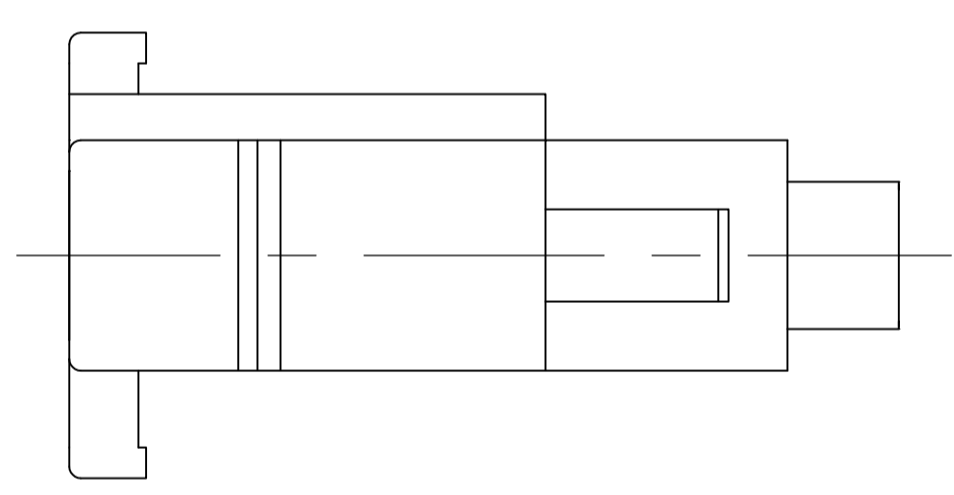
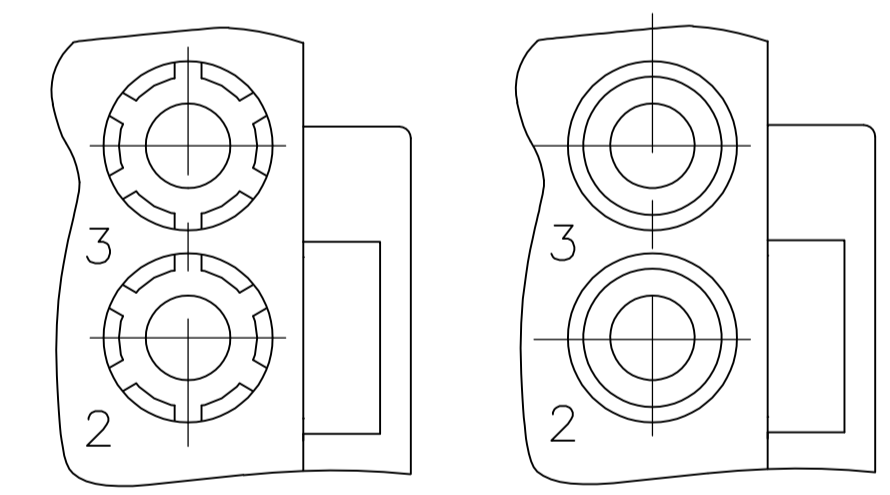
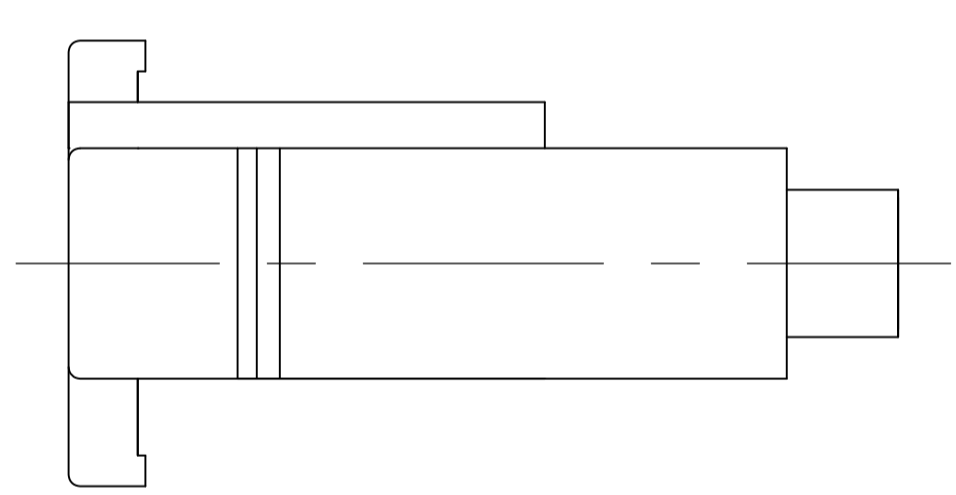


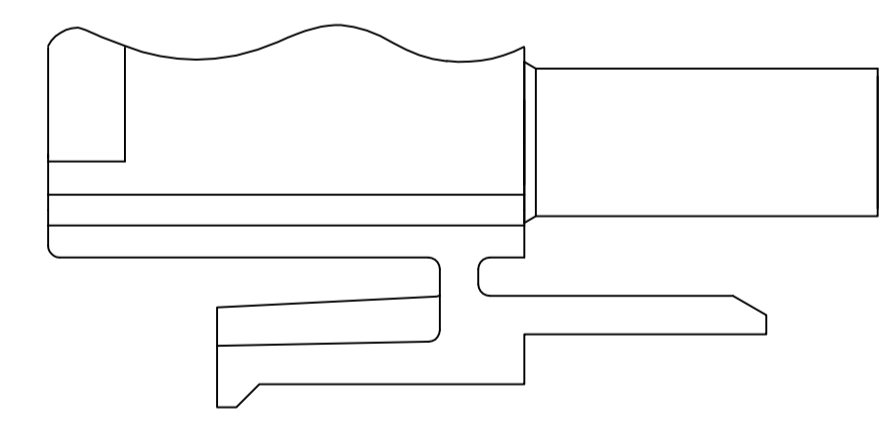
- MATES WITH APPROPRIATE UNIVERSAL MATE-N-LOK™ CAP OR HEADER.
- SMALL NICKS ARE PERMITTED ON THE CIRCUIT TOWERS WHICH COULD INCREASE THE INITIAL HOUSING MATING FORCE BY UP TO 4.4 NEWTONS [1.0 LBS]. NO INDIVIDUAL NICKED TOWER SHALL INCREASE THIS FORCE BY OVER 2.2 NEWTONS [.5 LBS].
- DIMENSION INDICATED IS AS MOLDED. ADDITIONAL GROWTH DUE TO SUBSEQUENT MOISTURE ABSORPTION MAY OCCUR.
- FOUR RIBS EQUALLY SPACED, NO SPECIFIC ORIENTATION. NO RIBS OR SIX RIBS EQUALLY SPACED, NO SPECIFIC ORIENTATION, OPTIONAL.
- NOT MANUFACTURED IN U.S.
- UNDERWRITERS RECOGNIZED COMPONENT LOGO AND CSA CERTIFICATION LOGO TO BE LOCATED ONCE EACH ON SIDE OF HOUSING.
- TRADEMARK LOCATION (AMP OR TE CONNECTIVITY).
- MANUFACTURING LOCATION ID (OPTIONAL).



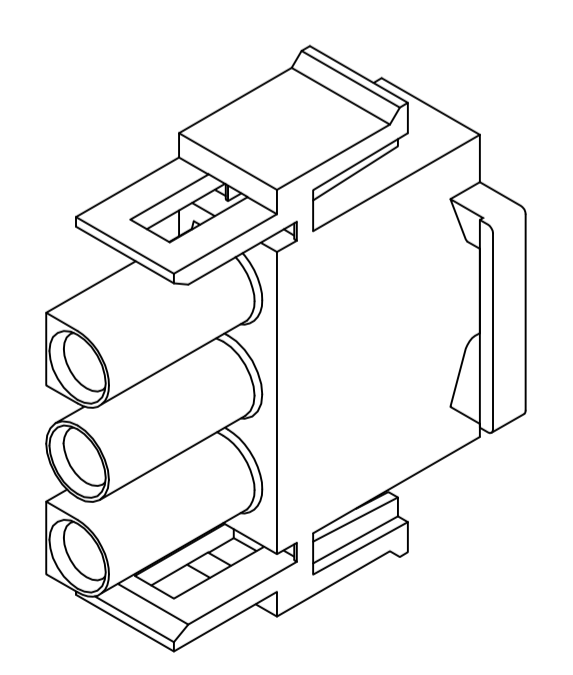
VIEW A-A
350766-4 ONLY



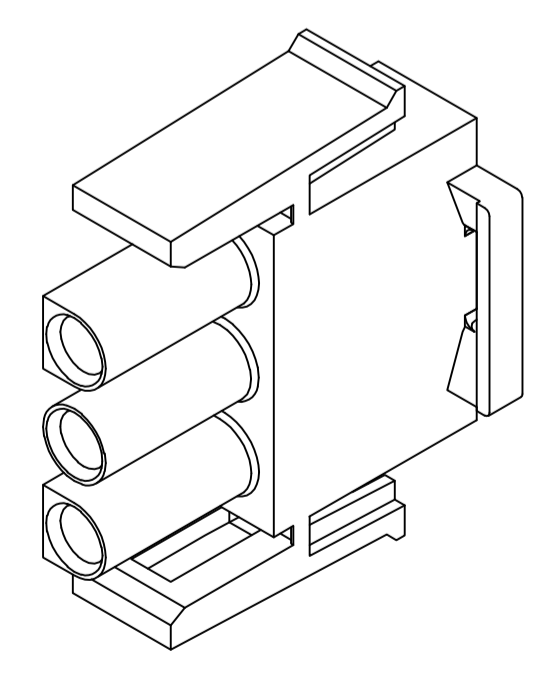
DETAIL A
OPTIONAL CONSTRUCTION



DETAIL B
350766-4 ONLY



350766-4 3-DIMENSIONAL MODEL
NTS



3-DIMENSIONAL MODEL
NTS

BLACK	1-350766-9
GRAY	1-350766-8
BLUE	1-350766-6
GREEN	1-350766-5
YELLOW	1-350766-4
ORANGE	1-350766-3
RED	1-350766-2
BROWN	1-350766-1
△5	350766-4
△5	350766-2
NATURAL	350766-1
COLOR	PART NUMBER

27.43	1.080
20.32	.800
14.73	.580
11.68	.460
7.62	.300
0.38	.015
0.13	.005
MM	IN

CONVERSION TABLE

THIS DRAWING IS A CONTROLLED DOCUMENT.

DIMENSIONS:	TOLERANCES UNLESS OTHERWISE SPECIFIED:	DWN	K. WHITAKER	07OCT05
mm	0. PLC ± -	CHK	S. RIDGILL	07OCT05
	1. PLC ± -	APVD	S. RIDGILL	07OCT05
	2. PLC ± 0.13 [.005]	NAME	PLUG, 3 CIRCUIT, UNIVERSAL MATE-N-LOK(TM)	
	3. PLC ± -	PRODUCT SPEC	-	
	4. PLC ± -	APPLICATION SPEC	-	
	ANGLES ± # 0.30°	SIZE	A1	00779C=350766
MATERIAL	NYLON, UL 94V-0	WEIGHT	-	
FINISH	-	CUSTOMER DRAWING	SCALE	4:1
		SHEET	1	OF 1
		REV	Y3	

STE TE Connectivity

METRIC