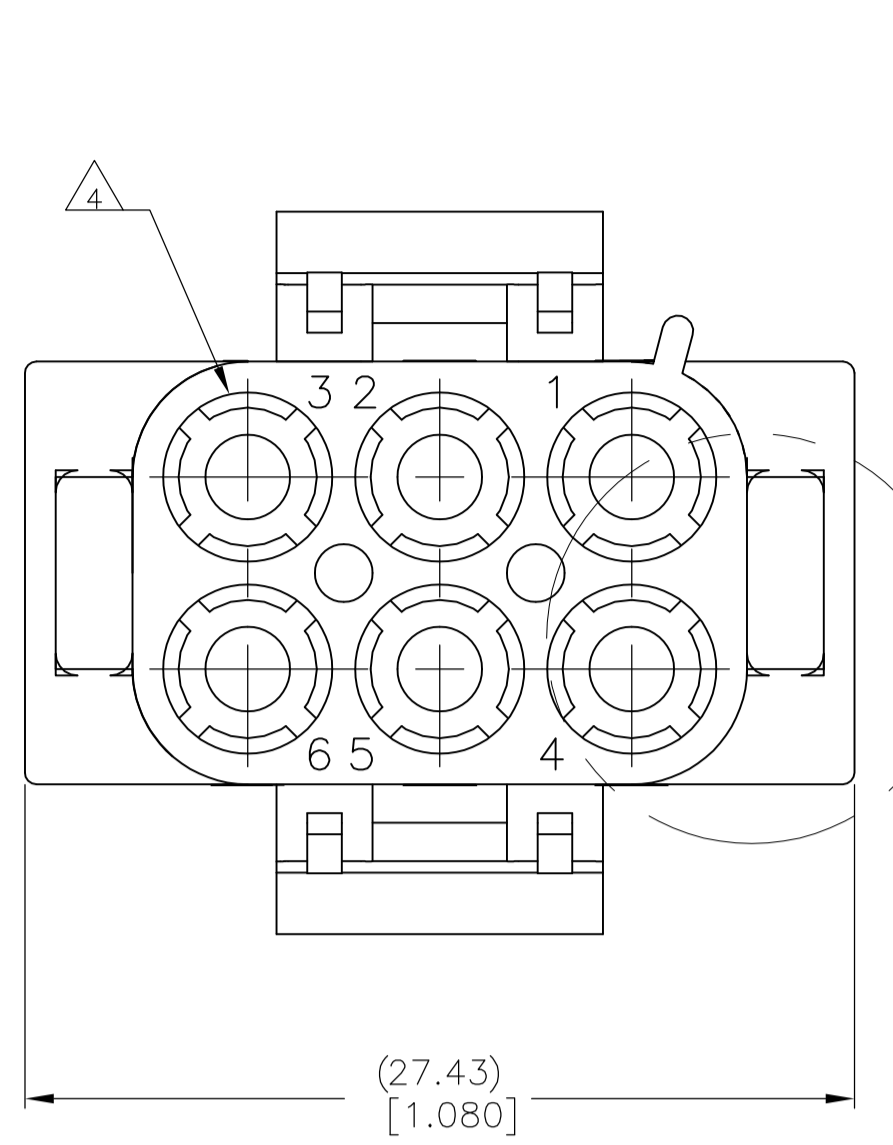
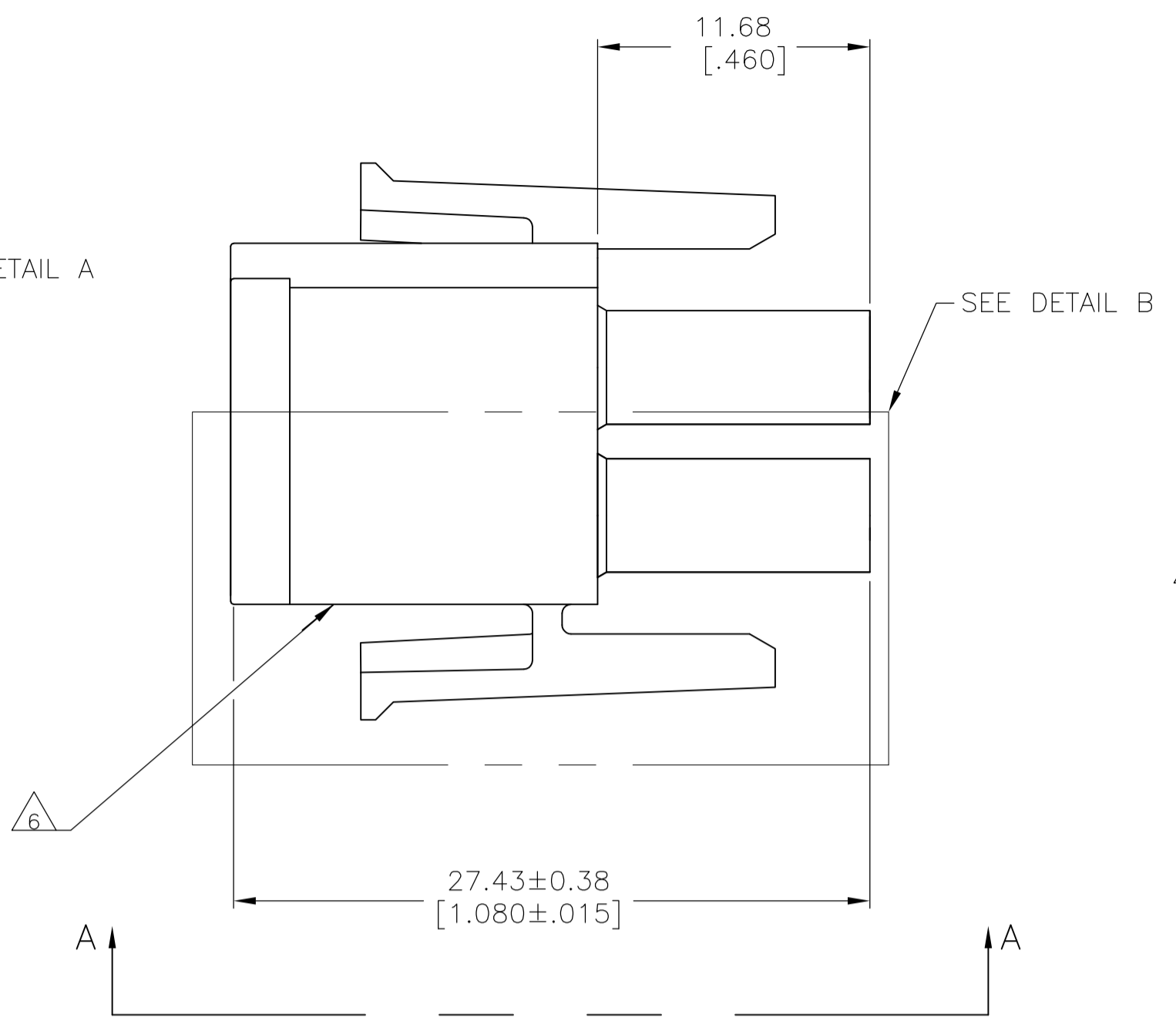


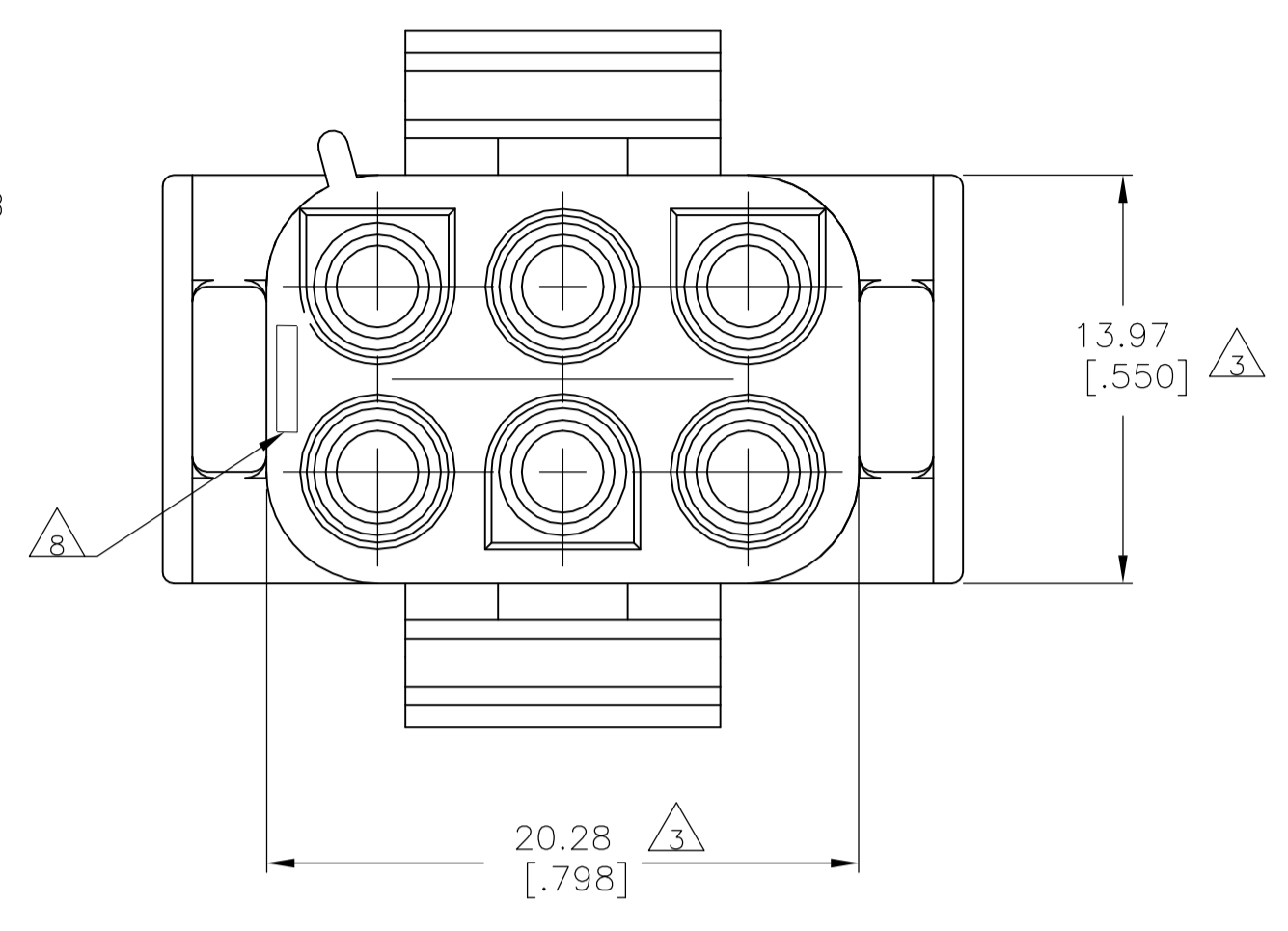
LOC		DIST		REVISIONS			
P	LTR	DESCRIPTION	DATE	DMN	APVD		
Y3		REVISED PER ECR-12-019326	16NOV12	KH	TM		



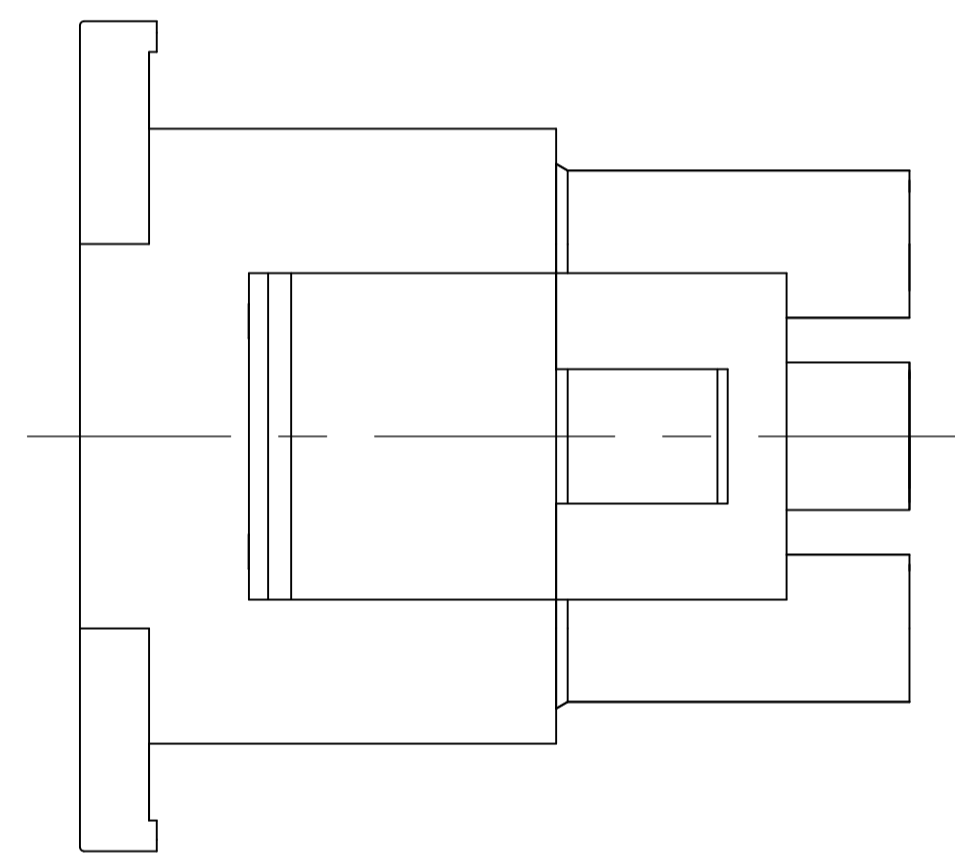
SEE DETAIL A



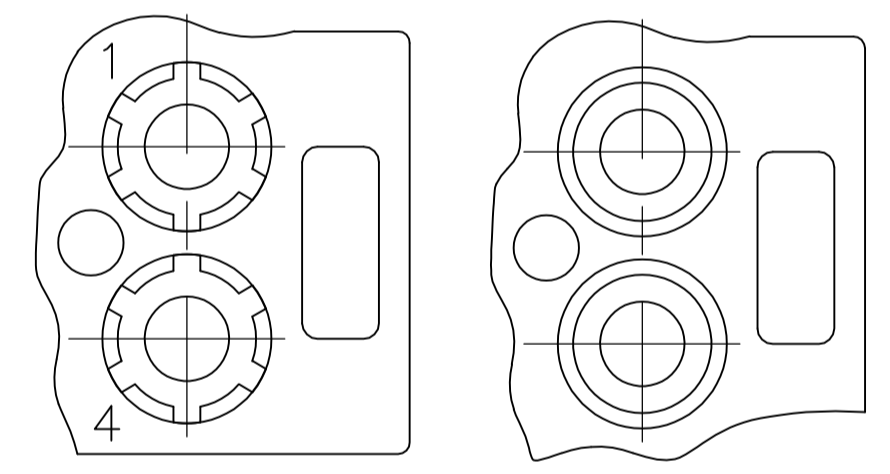
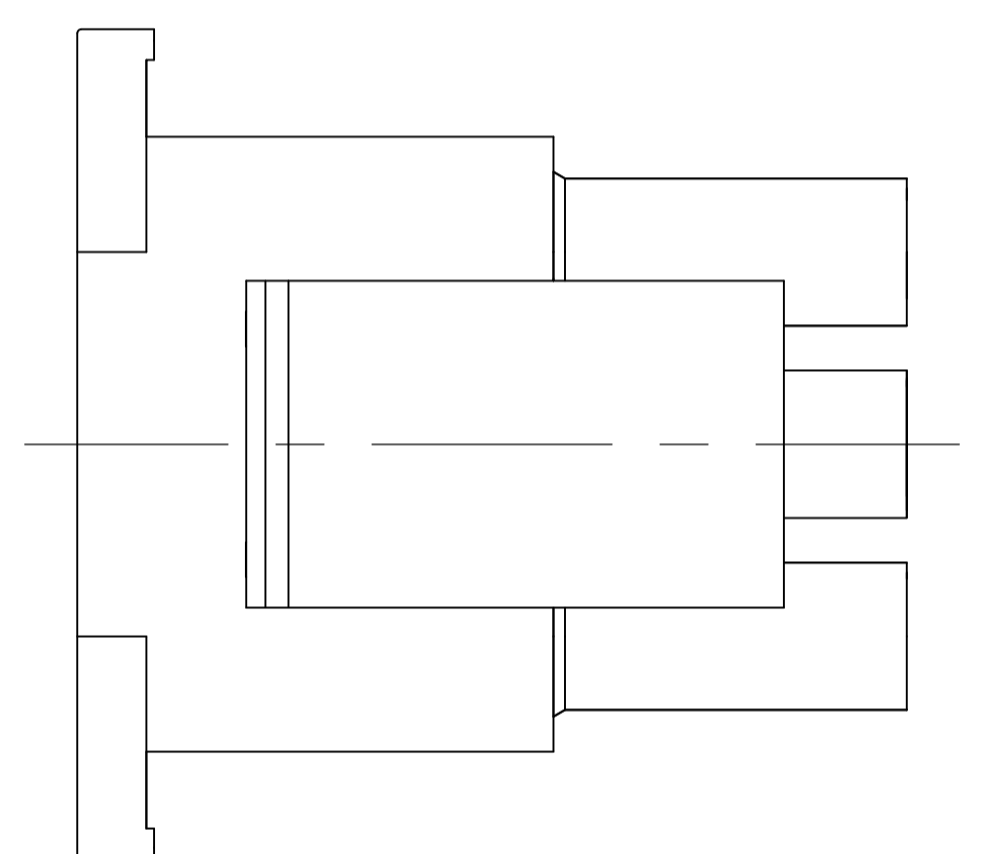
SEE DETAIL B



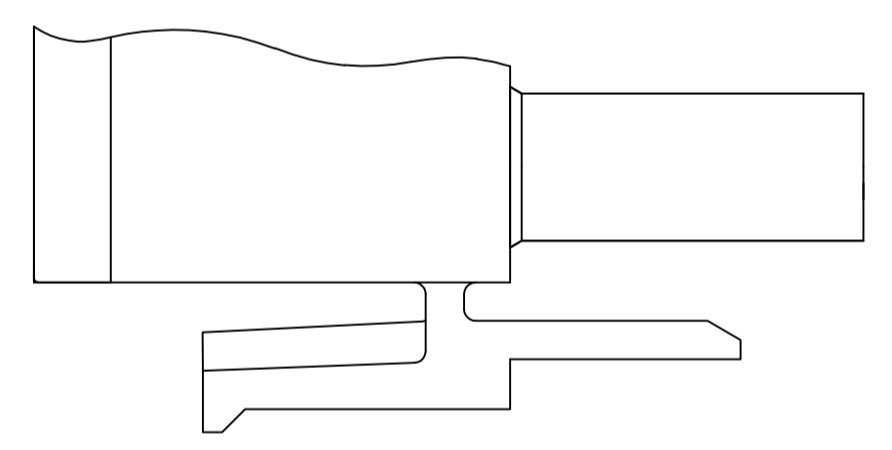
- 1 MATES WITH APPROPRIATE UNIVERSAL MATE-N-LOK CAP OR HEADER.
- 2 SMALL NICKS ARE PERMITTED ON THE CIRCUIT TOWERS WHICH COULD INCREASE THE INITIAL HOUSING MATING FORCE BY UP TO 4.4 NEWTONS [1.0 LBS]. NO INDIVIDUAL NICKED TOWER SHALL INCREASE THIS FORCE BY OVER 2.2 NEWTONS [.5 LBS].
- 3 DIMENSION INDICATED IS AS MOLDED. ADDITIONAL GROWTH DUE TO SUBSEQUENT MOISTURE ABSORPTION MAY OCCUR.
- 4 FOUR RIBS EQUALLY SPACED, NO SPECIFIC ORIENTATION. NO RIBS OR SIX RIBS EQUALLY SPACED, NO SPECIFIC ORIENTATION, OPTIONAL.
- 5 NOT MANUFACTURED IN U.S.
- 6 UNDERWRITERS RECOGNIZED COMPONENT LOGO AND CSA CERTIFICATION LOGO TO BE LOCATED ONCE EACH ON SIDE OF HOUSING.
- 7 MANUFACTURING LOCATION ID ON SIDE OF HOUSING (OPTIONAL).
- 8 TRADEMARK LOCATION (AMP OR TE CONNECTIVITY).



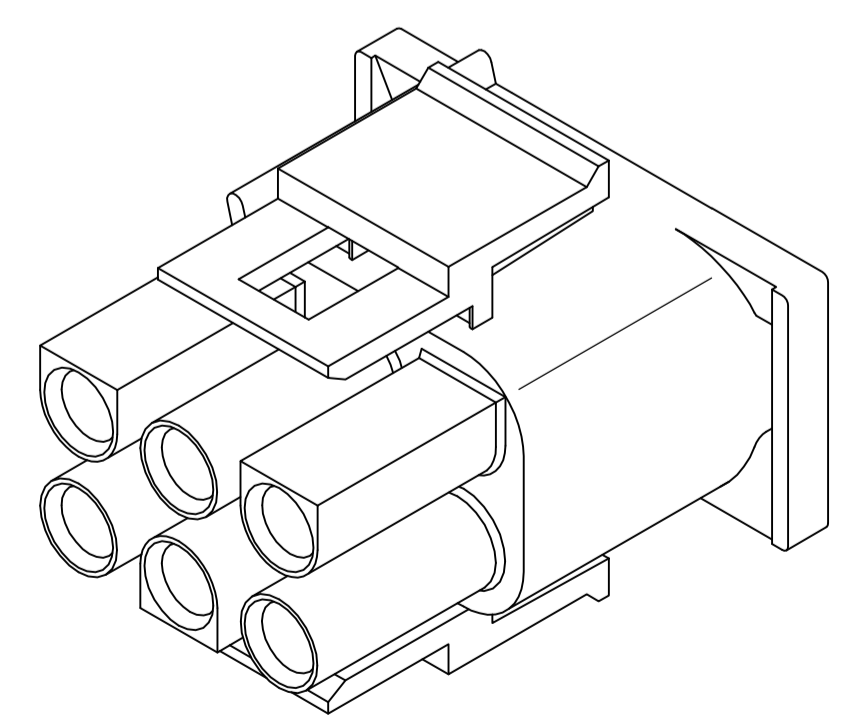
VIEW A-A
350715-4 ONLY



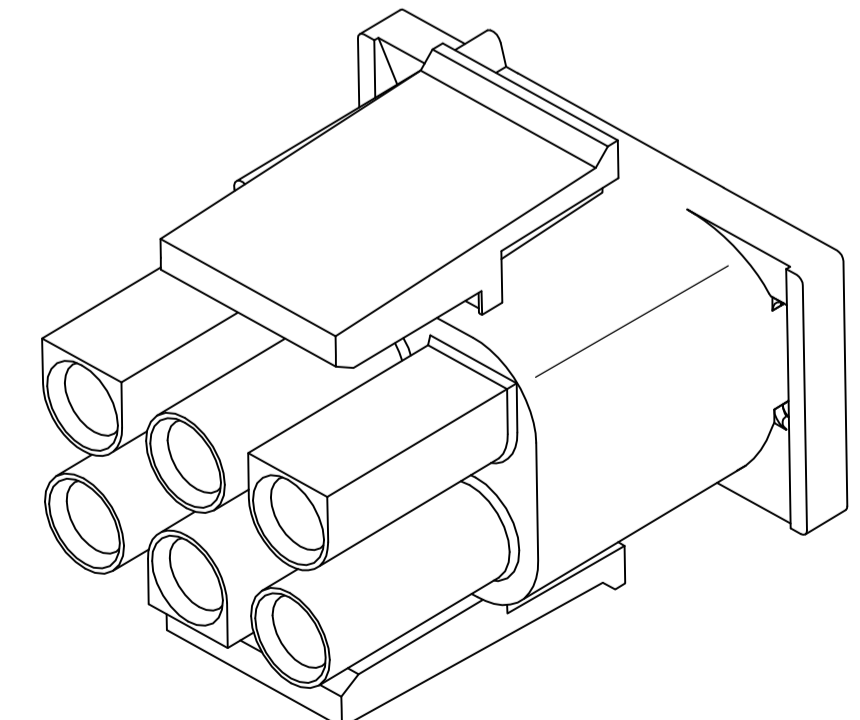
DETAIL A
OPTIONAL CONSTRUCTION



DETAIL B
350715-4 ONLY



350715-4 3-DIMENSIONAL MODEL
NTS



3-DIMENSIONAL MODEL
NTS

BLACK	1-350715-9
GRAY	1-350715-8
BLUE	1-350715-6
GREEN	1-350715-5
YELLOW	1-350715-4
ORANGE	1-350715-3
RED	1-350715-2
BROWN	1-350715-1
	350715-4
NATURAL	350715-1
COLOR	PART NUMBER

THIS DRAWING IS A CONTROLLED DOCUMENT.		DIN S. HOOVER 14APR04		TE Connectivity																															
DIMENSIONS: mm [INCHES]		TOLERANCES UNLESS OTHERWISE SPECIFIED:																																	
<table border="1"> <tr> <td>0. PLC</td> <td>±</td> <td>-</td> </tr> <tr> <td>1. PLC</td> <td>±</td> <td>-</td> </tr> <tr> <td>2. PLC</td> <td>±</td> <td>0.13 [.005]</td> </tr> <tr> <td>3. PLC</td> <td>±</td> <td>-</td> </tr> <tr> <td>4. PLC</td> <td>±</td> <td>-</td> </tr> <tr> <td>ANGLES</td> <td>±</td> <td>-</td> </tr> </table>		0. PLC	±	-	1. PLC	±	-	2. PLC	±	0.13 [.005]	3. PLC	±	-	4. PLC	±	-	ANGLES	±	-	<table border="1"> <tr> <td>APVD</td> <td>S. RIDGILL</td> <td>14APR04</td> <td>NAME</td> </tr> <tr> <td>PRODUCT SPEC</td> <td></td> <td></td> <td></td> </tr> <tr> <td>APPLICATION SPEC</td> <td></td> <td></td> <td></td> </tr> </table>		APVD	S. RIDGILL	14APR04	NAME	PRODUCT SPEC				APPLICATION SPEC				PLUG, 6 CIRCUIT, UNIVERSAL MATE-N-LOK(TM)	
0. PLC	±	-																																	
1. PLC	±	-																																	
2. PLC	±	0.13 [.005]																																	
3. PLC	±	-																																	
4. PLC	±	-																																	
ANGLES	±	-																																	
APVD	S. RIDGILL	14APR04	NAME																																
PRODUCT SPEC																																			
APPLICATION SPEC																																			
MATERIAL: NYLON, UL 94V-0		FINISH: -		SIZE: A1 CAGE CODE: 00779 DRAWING NO: 350715 RESTRICTED TO: -																															
CUSTOMER DRAWING		SCALE: 4:1		SHEET 1 OF 1 REV Y3																															