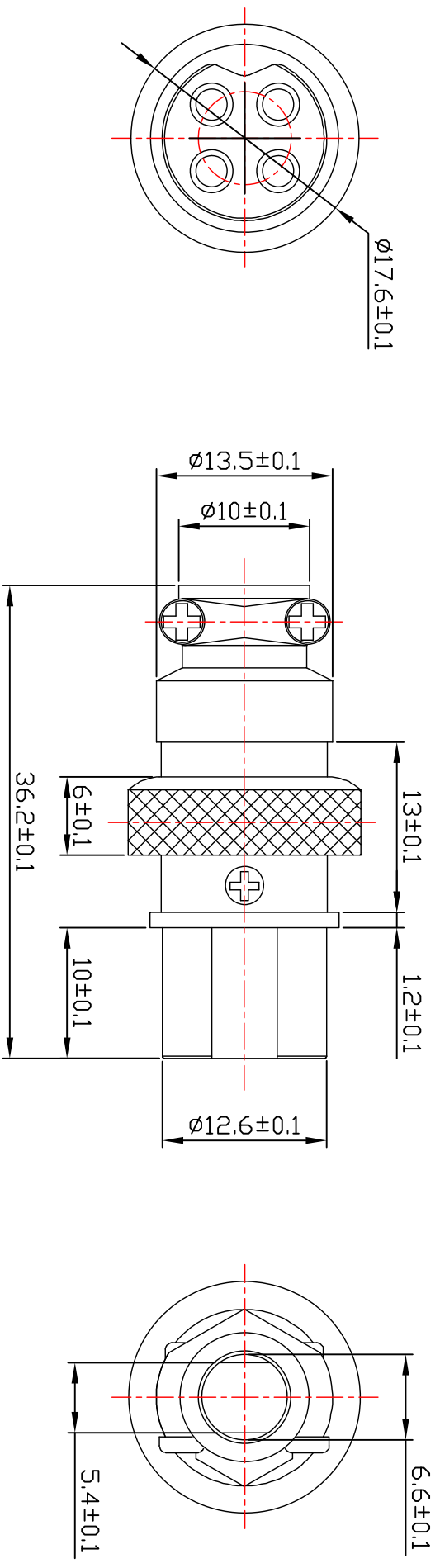


Revise Date	Revised Content



Unit	mm	Scale	/	Document Number		Customer	323	Designer	C.S.X
Program		Page	1/1	Version	1.0	Product Mode Number	<b>M002</b>	Examiner	
Tsay-E Electronics (shenzhen) Ltd.				Issued Date		Tsay-E Mode Number		Approval	