

6226 Foot Switches

herga

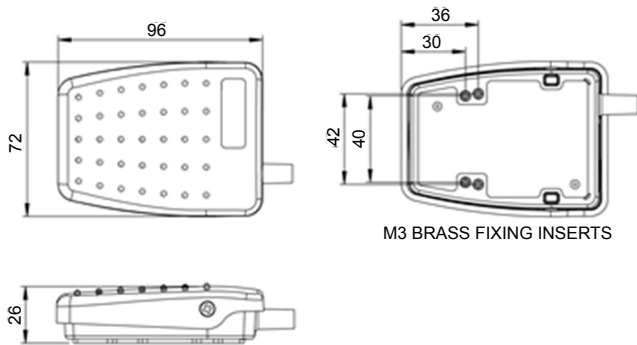
Technology Ltd

For IPX7/IPX8 single & double pole switching
UL Approved / IEC 60601-1

- Low profile, rear hinged switch designed for improved user comfort
- All plastic construction with raised tread pattern and anti-slip pad
- Versatile and innovative design make it an ideal product for OEM use
- Switches designed to meet medical, industrial/office/commercial standards
- Option for customers to fit own cable



Outline dimensions



General specifications

Standards/approvals	Footswitch: EN 60950, EN 60601-1:2006, UL 60601-1:2005, CSA C22.2 N° 60601-1-1-08, ANSI/AAMI ES 60601-1:2005, UL File N° E353500	Operating temperature range	+10°C to +50°C
Degree of protection	EN 60529 IPX7 (IPX8 upon request)	Body material	Thermoplastic
Connection method	Stripped cable cores or connector of your choice	Weight	0.14Kg (including cable)
Electrical rating	Max. 3A 24V AC/DC	Additional information	Customized versions available (logos, cordsets, colours, guards)
Contact configuration	SPST N/O, SPST N/C, SPNO, DPST N/O, DPST N/C, DPCO		



6226 Foot Switches

herga

Technology Ltd

For IPX7/IPX8 single & double pole switching
UL Approved / IEC 60601-1

6226: Ordering and options

Stock models : 6226-BBBB-ZZZZ-001
6226-CBBB-ZZZZ-001
6226-NBBB-ZZZZ-001

6226 - [] [] [] [] - [] [] [] [] - 0 0 0

Model

Cover & base colours (A,B,C,D,L or N)

A	Black cover & Black base	D	Green cover & Black base
B	Grey cover & Black base	L	Blue cover & Black base
C	Yellow cover & Black base	N	Orange cover & Black base

Base configuration (A,B or C)

A	Base fitted with M3 brass inserts
B	Base fitted with Neoprene pad
C	Base fitted with M3 brass inserts & Neoprene pad

Switching action (A,B,C, or D)

A	Single pole normally open (Cherry) microswitch (SC)	D	Double pole normally open (Cherry) microswitches Two stage (DA)
B	Single pole change over (Cherry) microswitch (CC)	E	Single pole change over Reed switch
C	Double pole normally open (Cherry) microswitches (DO)		

Electrical rating (A,B or C)

A	Gold contact microswitch (Max. rating 0.1A, 24 V AC/DC)
B	Silvercontact microswitch (Max. rating 1.75A, 24 V AC/DC)
C	Reed switch (Max. rating 0.25A, 24V AC/DC)

IEC 60601-1 & UL 60601-1, 2-core cable at 2m length

A	Cable 2-core Grey	B	Cable 2-core Black
C	Cable 2-core Grey screened	Z	No cable chosen

IEC 60601-1 & UL 60601-1, 3-core cable at 2m length

A	Cable 3-core Grey	B	Cable 3-core Black
C	Cable 3-core Grey screened	Z	No cable chosen

IEC 60601-1 & UL 60601-1, 4-core cable at 2m length

A	Cable 4-core Grey	B	Cable 4-core Black
C	Cable 4-core Grey screened	Z	No cable chosen

Non cable variants - microswitch flying leads only (A,B or Z)

A	Microswitch changeover - flying leads 450 mm long (Max. rating 3A, 24 V AC/DC)
B	Reed switch changeover - flying leads 250 mm long (Max. rating 3A, 24 V AC/DC)
Z	No option chosen

Special attributes

000 indicates no special attribute option chosen (product as standard matrix)
001 through 999 indicates special attributes

Note : Suitability of special attributes may not be covered by UL
Examples: Customer specified cable/cordset with or without plug (Max. rating 3A, 24V AC/DC)
Cable length variation if different from 2m
Customer specified identification and label combination
Guard or special base