

2002-02-05

# ELFA

## PRODUKTINFORMATION

Vi reserverar oss mot fel samt förbehåller oss rätten till ändringar utan föregående meddelande

**ELFA artikelnr**

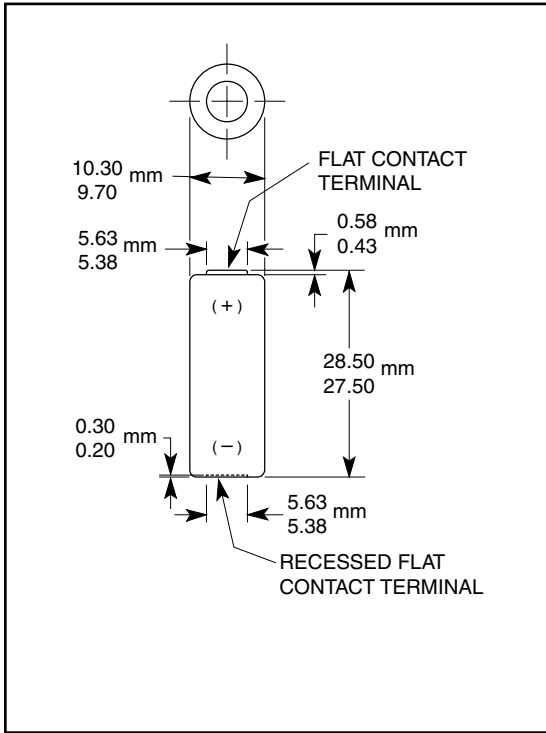
**69-254-99 8LR23/MN21/GP23A Aik 12V**

# DURACELL®

## Alkaline-Manganese Dioxide Battery

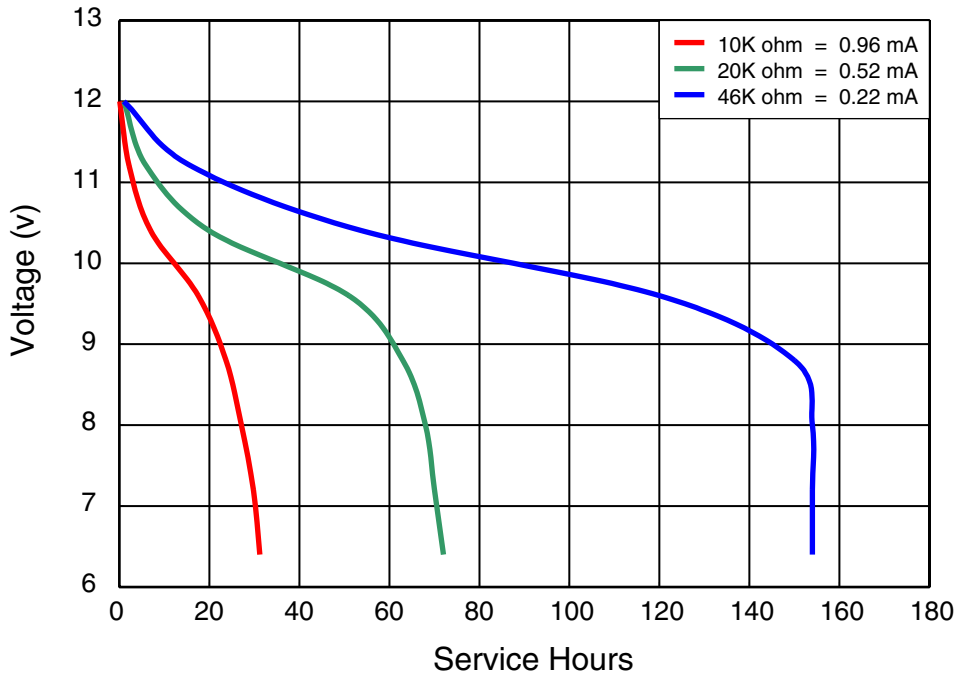
MN21

Zn/MnO<sub>2</sub>



<b>Nominal Voltage:</b>	12.0 V
<b>Nominal Internal Impedance:</b>	22 ohm @ 1kHz
<b>Average Weight:</b>	7.4 gm (0.26 oz.)
<b>Average Volume:</b>	2.3 cm <sup>3</sup> (0.14 in. <sup>3</sup> )
<b>Terminals:</b>	Flat
<b>Operating Temperature Range:</b>	-20°C to 54°C (-4°F to 130°F)
<b>NEDA:</b>	1811A
<b>IEC/ANSI:</b>	-

### TYPICAL DISCHARGE CHARACTERISTICS AT 21°C (70°F)



\* Delivered capacity is dependent on the applied load, operating temperature and cut-off voltage. Please refer to the charts and discharge data shown for examples of the energy / service life that the battery will provide for various load conditions.