

1 2 3 4 5 6 7 8

A

B

C

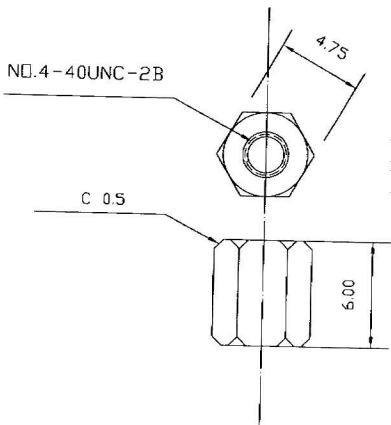
D

E

F

G

H



MATERIAL: BRASS
 FINISH: NICKEL PLATED

ORDER INFORMATION

RoHS Compliant

C9994-

I : Individual packing RoHS Compliant

玄茂科技股份有限公司
 HSUAN MAO TECHNOLOGY CO., LTD.

UNIT

SCALE

PART NAME

MM

HEX SCREWS (H=4.75X6mm)
 INDIVIDUAL PACKING
 ROHS LOW-LEAD

APPD.

CKD.

TOLERANCE

PART NO.

REV.

制表日: 2006/03/27

DRAWING.

APPROVED

John

C9994-27100000R

A

1 2 3 4 5 6 7 8