

Preset counters, electromechanical

Standard counters	Adding, 5 digits (AC+DC)	BVa 15
-------------------	--------------------------	--------



The electromechanical preset counters BVa 15 (with manual reset) boast a robust construction. They are ideal for use in harsh industrial environments as stand-alone counters or as plug-in variants in combination with additional B, BVa, HB or HVa counters.

Display shows actual count and preset value.

Characteristics

- 3- or 5-digit adding preset counter with stationary preset value
- Manual reset to zero
- Potential free changeover contact (microswitch) on reaching the preset
- Contact remains switched till a zero reset occurs
- Counters without front bezel fit into bezel F2B and can be combined in RM 50 x 50 mm

Benefits

- Can be combined with counters of the B, BVa, HB and HVa series
- Count value and preset constantly visible
- Versions with transparent cover, sealing cover, zero reset key-lock

Applications

Piece counting, automation

Type series

Description

(Reset manual)

Without front bezel, plugs into socket box

Front bezel 1, mounting holes

Mounting clip

Front bezel 3, mounting holes

Further versions, fully assembled (on request)

Counter with lockable reset

Counter with transparent cover

Order-No.

BVa 15.01

BVa 15.11

BVa 15.21

BVa 15.31

Delivery specification

Counter complete with socket box

Order information

- Art.-No.

- For special voltages, please give type, voltage and series
e.g.: BVa 15.31, 12 V DC ...

BVa 15.21 vs



Dv BVa 15.31 lockable



Dvs BVa 15.31 key lockable



Type / Counting mechanism

Voltage	Type	Pulse frequency max.	Pulse on time min.	Pulse interval min.	Pulse ratio	On-time	Power consump. approx.	Permi. residual ripple max.	Operating temp. (non-condensing)
V DC	1	25 Hz	24 ms	16 ms	3 : 2	100 %	3 W	48 %	-10°C ... +60°C
V AC	a	18 Hz	27.7 ms	27.7 ms	1 : 1	100 %	3 VA	—	-10°C ... +55°C

Preset counters, electromechanical

Standard counters	Adding, 5 digits (AC+DC)	BVa 15	Order-No.
Accessories			
Front bezel type F2B	For cut-out 54 x 54 mm, with screw mounting	beige	G007503
	for plug-in counters BVa 15.0x in socket box type 946.1	black	G007504
Socket box type 946.1	Für Zähler BVa 15.01, can be used for plug-in connections, in front bezel F2B	black	G008439
Sealing cover type K2, IP65	For front bezel 75 x 60 mm with screw mounting, for elektrom. counters and via adpter front bezel T008860 for counters 48 x 48 mm	grey	G008302
		black	G008303
Mounting frame with cut-out 50 x 50 mm (via supplied adapter also for 45 x 45 mm)	For snap-on mounting on 35 mm top-hat DIN rail, for counters 48 x 48 mm, 53 x 53 mm and 55 x 55 mm	chromated	G300003
DIN rail mount SR 3	For snap-on mounting on 35 mm top-hat DIN rail		G300002
Replacement parts			
Transparent cover, IP65	Type 2 Dv, suitable for Dv BVa 15 and Dv HVa 15	lockable	G008141
	Type 2 Dvs, suitable for Dvs BVa 15 and Dvs HVa 15	key lockable	G008151
Key for key-locking zero reset			G050265

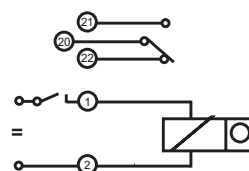
Suitable gaskets as well as further accessories can be found in the accessories section or in the accessories area of our website at: www.kuebler.com/accessories.

Technical data	
Electrical connection	counter: tinned tabs ø 1.6 mm with push-on connectors socket box: tinned plated tabs 0.8 x 2.8 mm
Rated voltages	counting mechanism: 12 / 24 / 48 / 115 V DC ±10% 24 / 48 / 115 / 230 V AC ±10%
Height of figures	counter: 4.5 mm preset: 4 mm
Colour of housing	grey: Art.-No. x.xxx.xx0.xxx black: Art.-No. x.xxx.xx1.xxx
Colour of figures	counter: white on black preset: yellow on black
Counting mechanism shaft	stainless steel
Einbaulage	any
Service life	approx. 100 x 10 ⁶ pulses
Protection	IP40 (front side)
Weight	approx. 130 g
Test voltage	2000 V, effective
Switching contact	1 change over contact (micro switch), release in 2nd half-step on the preset number
Loading (max) (with resistive Load.)	AC : 250 V AC 2.0 A DC : 24 V DC 2.0 A 60 V DC 0.7 A 115 V DC 0.4 A 230 V DC 0.2 A
Suitable spark quenching is required with inductive load, reducing the max. current to 60 %	

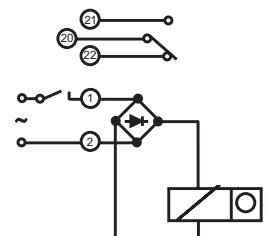
Options	
Key-locking zero reset	Housing grey: Art.-No.: 2.1X0.XX6.XXX Housing black: Art.-No.: 2.1X0.XX7.XXX
Lockable transparent cover (IP65)	Dv BVa counter with front bezel 3 Art.-No.: 2.1X0.7XX.XXX
Key lockable transparent cover (IP65)	Dvs BVa counter with front bezel 3 Art.-No.: 2.1X0.8XX.XXX
Flexible sealing cover K2 (IP54)	K2 BVa counter with front bezel 3 Art.-No.: 2.1X0.6XX.XXX
Screw terminal connection	Art.-No.: 2.XXX.XXX.XXX.023
Flat pin connection 2.8 x 0.8 mm (on request)	Art.-No.: 2.XX7.XXX.XXX

Connection diagrams

DC



AC



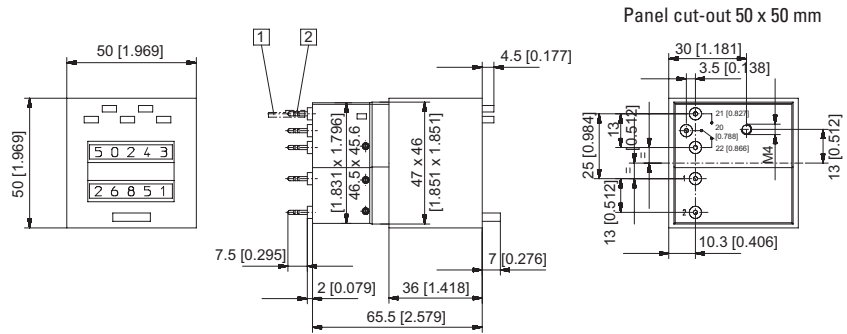
Preset counters, electromechanical

Standard counters

Adding, 5 digits (AC+DC)

BVa 15

Without front bezel,
plugs into socket box type 946.1
Type BVa 15.01

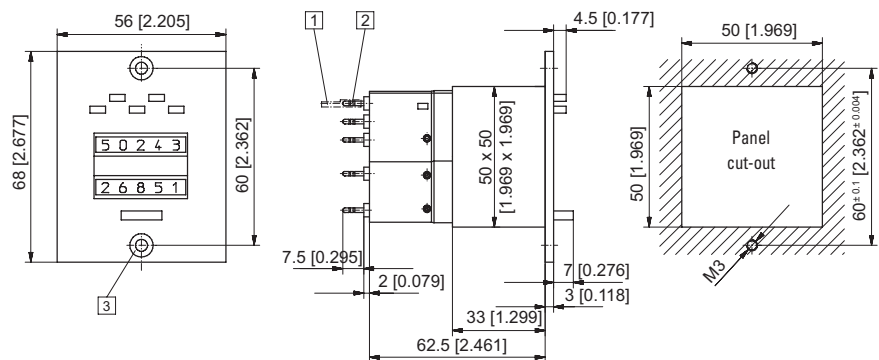


1] Push-on connector \varnothing 1.5 tinned 2] Round pin \varnothing 1.6 tinned
Colour of housing grey (standard)

Type	Voltage	Display	Art.-No.		
			24 V	115 V	230 V
BVa 15.01	DC (25 Hz)	5 digits	2.100.010.033	–	–
	AC (18 Hz)		2.100.010.061	2.100.010.064	2.100.010.066 ¹⁾

Colour of housing black: Art.-No. 2.1X0.011.XXX

Front bezel 1,
with mounting holes
Type BVa 15.11



1] Push-on connector \varnothing 1.5 tinned 2] Round pin \varnothing 1.6 tinned 3] Countersinking Af3 DIN 74
Colour of housing grey (standard)

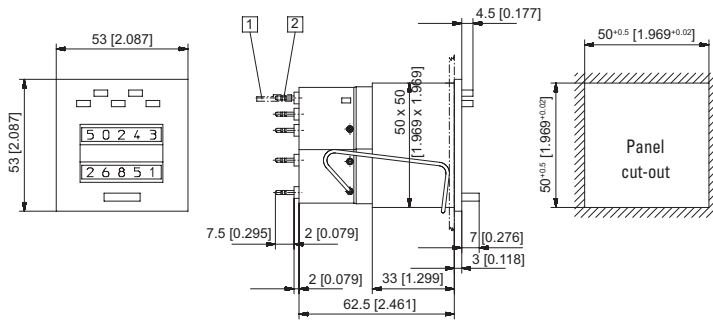
Type	Voltage	Display	Art.-No.		
			24 V	115 V	230 V
BVa 15.11	DC (25 Hz)	5 digits	2.100.110.033	–	–
	AC (18 Hz)		2.100.110.061	2.100.110.064	2.100.110.066 ¹⁾

Colour of housing black: Art.-No. 2.1X0.111.XXX

Preset counters, electromechanical

Standard counters **Adding, 5 digits (AC+DC)** **BVa 15**

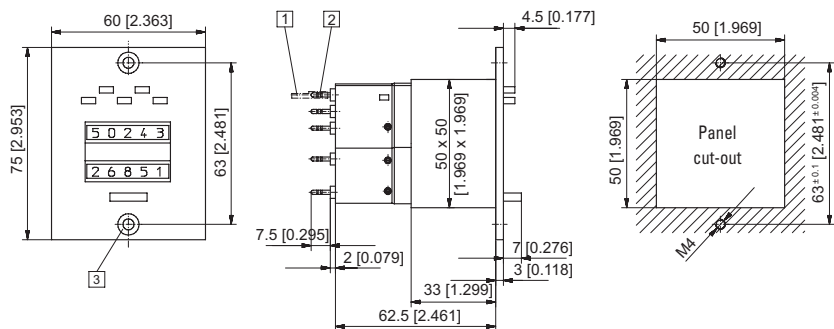
With mounting clips
Type BVa 15.21



1) Push-on connector \varnothing 1.5 tinned 2) Round pin \varnothing 1.6 tinned
 Colour of housing grey (standard)

Type	Voltage	Display	Art.-No.		
			24 V	115 V	230 V
BVa 15.21	DC (25 Hz)	5 digits	2.100.210.033 ¹⁾	—	—
	AC (18 Hz)		2.100.210.061	2.100.210.064	2.100.210.066 ¹⁾
Colour of housing black: Art.-No. 2.1X0.211.XXX			Further stock types: Art.-No. 2.100.211.033		

Front bezel 3, with mounting holes
Type BVa 15.31



1) Push-on connector \varnothing 1.5 tinned 2) Round pin \varnothing 1.6 tinned 3) Countersinking Af3 DIN 74
 Colour of housing grey (standard)

Type	Voltage	Display	Art.-No.		
			24 V	115 V	230 V
BVa 15.31	DC (25 Hz)	5 digits	2.100.310.033	—	—
	AC (18 Hz)		2.100.310.061	2.100.310.064	2.100.310.066
Colour of housing black: Art.-No. 2.1X0.311.XXX			Further stock types: BVa 15.31.4sw 24 V DC / Art.-No. 2.107.311.013		