

## LCD hour meter **CODIX** 134/135



- Low-price and high efficiency
- Large 8-digit LCD display, height of the figures 8 mm
- Optional backlighting
- Different time ranges from 0.1 second to 100,000 hours
- 0.1 second synchronisation makes it suitable for very short activation times
- High voltage versions for 10 ... 260 V AC/DC voltage pulses, can be connected directly via contactors, relays and motors
- Very high accuracy: 100 ppm
- Protection IP65
- Unified Codix design, suiting the extensive **CODIX** family
- Screw terminals, RM 5 mm
- Lifetime of the battery approximately 8 years
- Operating temperature -10 ... +60 °C
- Locking of the reset key
- Accumulated time always readable thanks to battery\*powered LCD display.



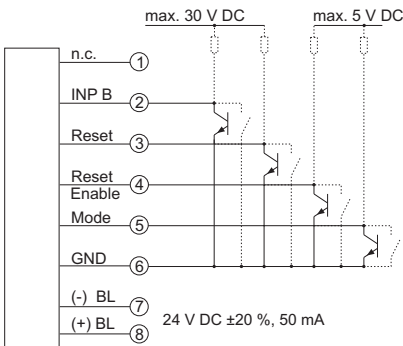
### Technical data

Power supply:	non-replaceable lithium battery: (lifetime approximately 8 years at 20°C)
Backlighting:	external electrical source 24 V DC +/-20 %, 50 mA
Display:	LCD, 8 decades, height of the figures 8 mm
Counting direction:	adding
Display range:	see next page
Reset :	manual and electrical
<b>A. Timer inputs DC versions: (max. 30 V DC)</b>	
Timer input	NPN or PNP depending on the type (see table)
Switching level:	NPN: Low: 0 ... 0.7 V, High: 3 ... 30 V DC PNP: Low: 0 ... 0.7 V, High: 4 ... 30 V DC
Counting start:	NPN: for low signal at the timer input PNP: for high signal at the timer input
<b>B. Timer inputs high voltage version (10 ... 260 V DC/V AC)</b>	
Timer input:	Optocoupler input, max. 30 Hz
Min. pulse time:	16 ms
Switching level:	Low: 0 ... 2 V DC/V AC, High: 10 ... 260 V DC/V AC
Counting start:	for high signal at the timer input.

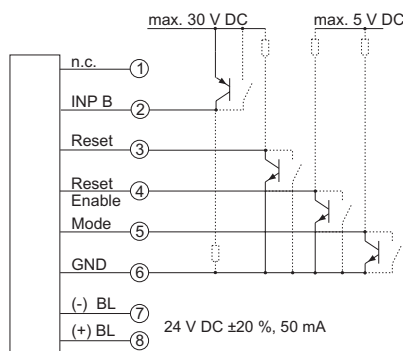
<b>C: Time range change (Mode)</b>	
Contact input:	Open Collector (switching at 0 V) NPN: Low: 0 ... 0.7 V, High: 3 ... 5 V DC
Time range:	depending on the circuit (see order information)
<b>D. Reset Input (only DC and high voltage)</b>	
Minimum pulse time:	DC: 50 ms, high voltage: 16 ms
Contact input DC*:	NPN: Low: 0 ... 0.7 V, High: 3 ... 30 V DC
High voltage input:	10 ... 260 V DC/V AC
<b>E. Reset locking input (for DC and AC)</b>	
Electrical reset key locking	
Input not active:	Reset key locked
Contact input:	Open Collector NPN (switching at 0 V)
Switching level:	NPN: Low: 0 ... 0.7 V, High: 3 ... 5 V DC
Interference emissions:	EN 55011 Class B, EN 61000-6-2 EN 61010 Section 1 (only AC versions)
Housing:	dark grey RAL 7021
Operating temperature:	-10 ... +55 °C
Ambient temperature:	-10 ... +60 °C
Storage temperature:	-20 ... +70 °C
Protection:	IP 65 front
Weight:	approximately 50 g

### Connecting diagram:

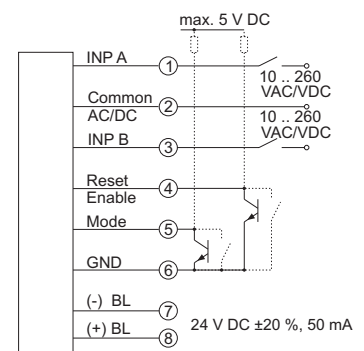
**DC type:**  
6.134.012.8x0  
6.135.012.8x0



**DC typ:**  
6.134.012.8x1  
6.135.012.8x1

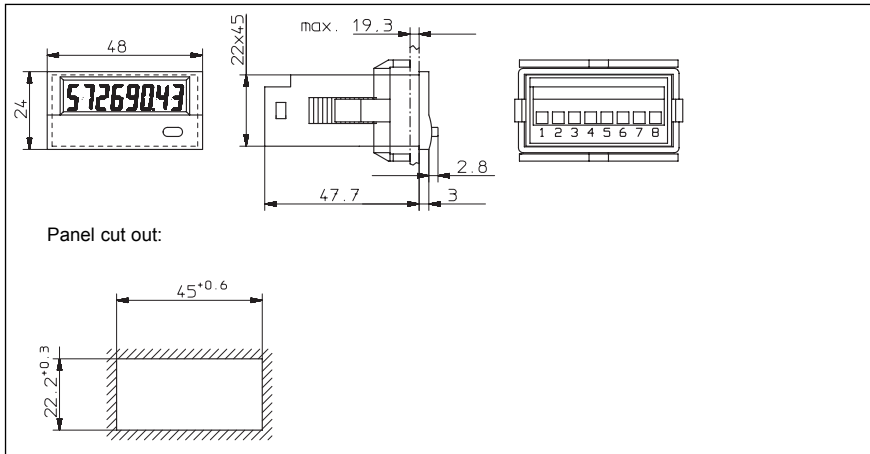


**AC type:**  
6.134.012.8x3  
6.135.012.8x3



BL = backlighting

### Dimensions:

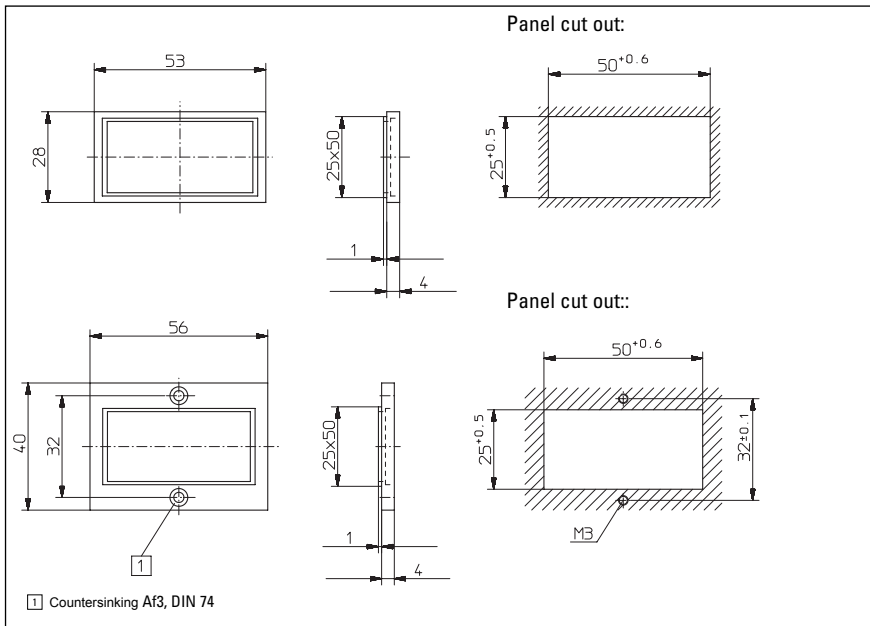


### Display:

#### Time ranges and display

Time range	Display
99999 h 59 m (134)	
99999.99 h (134)	
9999 h 59 m 59 s (135)	
9999999.9 s (135)	

### Frame dimensions:



### Scope of delivery:

- Digital display
- Panel mounting clip
- Bezel for screw mounting, panel cut out 50 x 25 mm
- Bezel for clip mounting, panel cut out 50 x 25 mm
- Gasket
- Operating instructions.

### Order information:

Type	Mode	Time range	Inputs		INP B
			INP A	INP B	
6.134.012.8x0	Timer	99999h 59 m/ 99999.99 h	-	-	0 ... 0.7 V DC
6.134.012.8x1			-	-	4 ... 30 V DC
6.134.012.8x3			10 ... 260 V AC/DC	AC/DC	10 ... 260 V AC/DC
6.135.012.8x0	Timer	9999 h 59 m 59 s/ 9999999.9 s	-	-	0 ... 0.7 V DC
6.135.012.8x1			-	-	4 ... 30 V DC
6.135.012.8x3			10 ... 260 V AC/DC	AC/DC	10 ... 260 V AC/DC

X: 5 = no backlight  
X: 6 = with backlight