

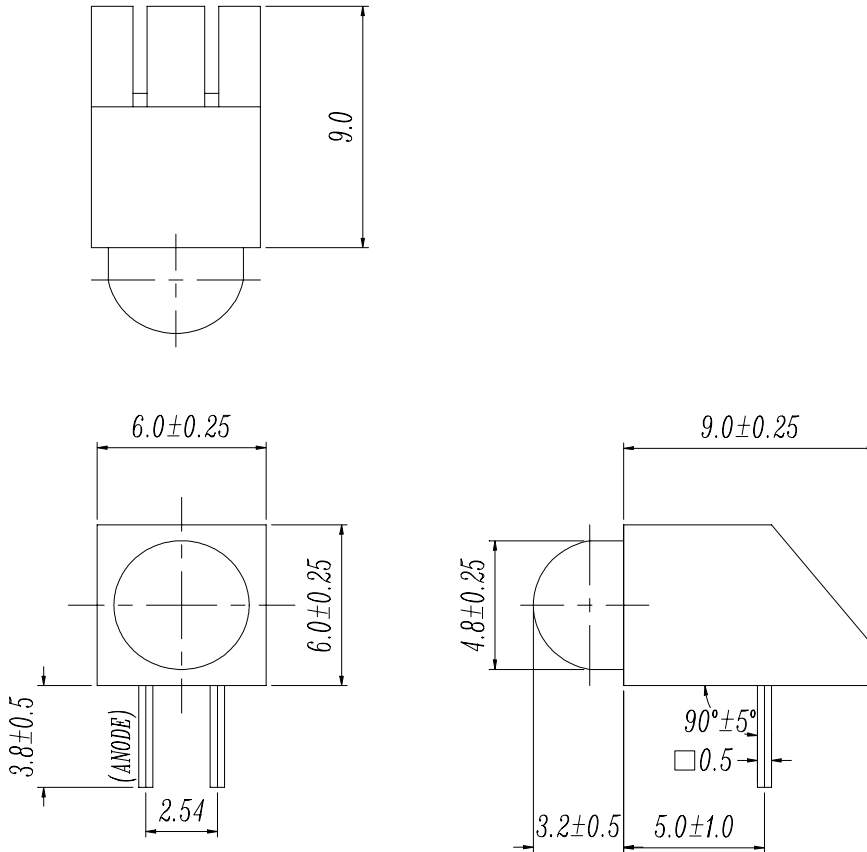


EVERLIGHT ELECTRONICS CO.,LTD.

Device Number : DAE-090-212 REV: 1.1

MODEL NO : A93B/G ECN : _____ Page: 1/5

■ Package Dimensions:



■ Notes:

1. All dimensions are in millimeters, tolerance is 0.25mm except be specified
2. Lead spacing is measured where the lead emerge from the package

LED PART NO	CHIP		Lens Color
	Material	Emitted Color	
313GD	GaP	Green	Green Diffused

Office : NO.25, Lane 76, Sec.3, Chung Yang Rd., Tucheng 236, Taipei,
Taiwan, R.O.C.
TEL : 886-2-22672000
FAX : 886-2-22676306
http : //www.everlight.com



■ Descriptions:

- 1.ARRAY=Plastic Holder+Combinations of lamp
- 2.The array will easily mount the applicable lamps on any panel

■ Features:

- 1.Low power consumption
- 2.High efficiency and low cost
- 3.Good control and free combinations on the colors of LED lamps
- 5.Good lock and easy to assembly
- 6.Stackable and easy to assembly
- 7.Stackable vertically and easy to assembly
- 8.Versatile mounting on P.C.B or panel
- 9.Stackable horizontally and easy to assembly

■ Applications:

- 1.Used as indicators of indicating the degree, functions, positions etc, in electronic instruments.



EVERLIGHT ELECTRONICS CO.,LTD.

Device Number : DAE-090-212 REV: 1.1

MODEL NO : A93B/G ECN : Page: 3/5

■ LED LAMP ARRAYS SELECTION GUIDE:

A 9 3 B / G

- SR:Super Red
- H:Brihgt Red
- I:Hi-Eff Red
- A:Amber
- Y:Yellow
- E:Orangt
- G:Green

————— COLOR OF HOLDER(BLOCK)
————— MODEL
————— ARRAY



EVERLIGHT ELECTRONICS CO.,LTD.

Device Number : DAE-090-212 REV: 1.1

MODEL NO : A93B/G ECN : Page: 4/5

Absolute Maximum Ratings at Ta = 25°C

Parameter	Symbol	Rating	Unit
Forward Current	If	30	mA
Operating Temperature	Topr	-40 to +85	°C
Storage Temperature	Tstg	-40 to +100	°C
Soldering Temperature	Tsol	260 ± 5	°C
Power Dissipation	Pd	100	mW
Peak Forward Current(Duty 1/10 @ 1KHZ)	If(Peak)	160	mA
Reverse Voltage	Vr	5	V

Electronic Optical Characteristics :

Parameter	Symbol	MIN.	TYP.	MAX.	Unit	Condition
Luminous intensity	Iv	2.5	5.0	/	mcd	If= 10 mA
Viewing Angle	2θ 1/2	/	60	/	deg	If= 20 mA
Peak Wavelength	λ p	/	565	/	nm	If= 20 mA
Dominant Wavelength	λ d	/	570	/	nm	If= 20 mA
Spectrum Radiation Bandwidth	Δ λ	/	30	/	nm	If= 20 mA
Forward Voltage	Vf	1.7	2.1	2.4	V	If= 20 mA
Reverse Current	Ir	/	/	10	μ A	Vr= 5 V



■ Typical Electro-Optical Characteristic Curves:

