

COMPACT SEMICONDUCTOR FAN HEATER

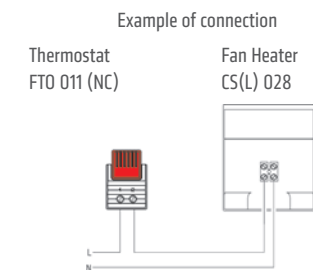
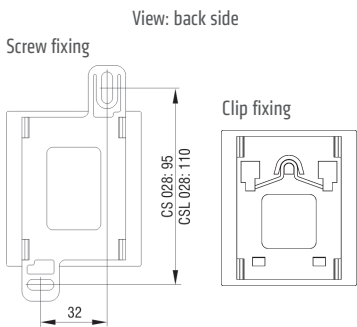
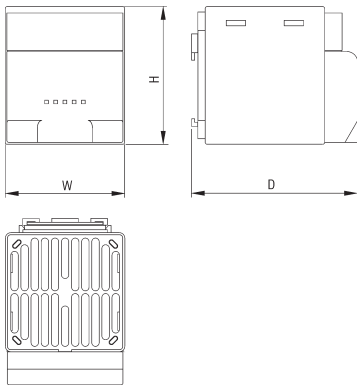
CS 028 / CSL 028 | 150W to 400W



Photo: Fan Heater CSL 028

- > Small, compact design
 - > Quiet in operation
 - > Dynamic heating up
- > Clip or screw fixing

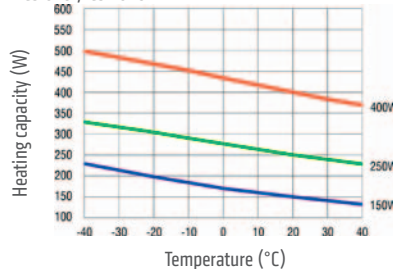
Fan heater prevents formation of condensation and provides an evenly distributed interior air temperature in enclosures with electric/electronic components. The heater is connected using the internal terminal connectors. The small size of the CS / CSL 028 makes it ideal for use in enclosures where space is at a premium.



TECHNICAL DATA

Heating element	PTC resistor - temperature limiting
Surface temperature	150W/250W: max. +50°C (+122°F), 400W: max. +65°C (+149°F) each except upper protective grille at +20°C (+68°F) ambient temperature
Axial fan, ball bearing	air flow, free flow CS 028: 13.8m ³ /h CSL 028: 45m ³ /h (230VAC), 54m ³ /h (120VAC) service life 40,000h at +40°C (+104°F)
Connection	2-pole clamp max. 2.5mm ² (CSL 028 with strain relief), clamping screw torque 0.8Nm max.
Casing	plastic according to UL94 V-0, black
Mounting	clip for 35 mm DIN rail, EN 60715 or screw fixing (Ø 5.3mm)
Fitting position	vertical airflow (air outlet up)
Operating/Storage temperature	-45 to +70°C (-49 to +158°F)
Operating/Storage humidity	max. 90% RH (non-condensing)
Protection type/Protection class	IP20 / II (double insulated)
Approvals	UL File No. E150057 (according to UL 5084, NITW File on request), GOST-TR, VDE only: 230 V
Note	other voltages on request

Heating capacity / Ambient temperature diagram
CS 028 / CSL 028



Art. No. clip fixing	Art. No. screw fixing	Series	Operating voltage	Heating capacity ¹	Inrush current max.	Pre-fuse T (time-delay)	Dimensions (H x W x D)	Weight (approx.)
02800.0-00	02800.0-01	CS 028	230VAC, 50/60Hz	150W	12A	6.3A	75 x 65 x 90mm	0.3kg
02811.0-00	02811.0-01	CSL 028	230VAC, 50/60Hz	250W	9A	6.3A	90 x 85 x 111mm	0.5kg
02810.0-00	02810.0-01	CSL 028	230VAC, 50/60Hz	400W	15A	10A	90 x 85 x 111mm	0.5kg
02800.9-00	02800.9-01	CS 028	120VAC, 50/60Hz	150W	6A	6.3A	75 x 65 x 90mm	0.3kg
02811.9-00	02811.9-01	CSL 028	120VAC, 50/60Hz	250W	6A	6.3A	90 x 85 x 111mm	0.5kg
02810.9-00	02810.9-01	CSL 028	120VAC, 50/60Hz	400W	9A	6.3A	90 x 85 x 111mm	0.5kg

¹ at +20°C (+68°F) ambient temperature