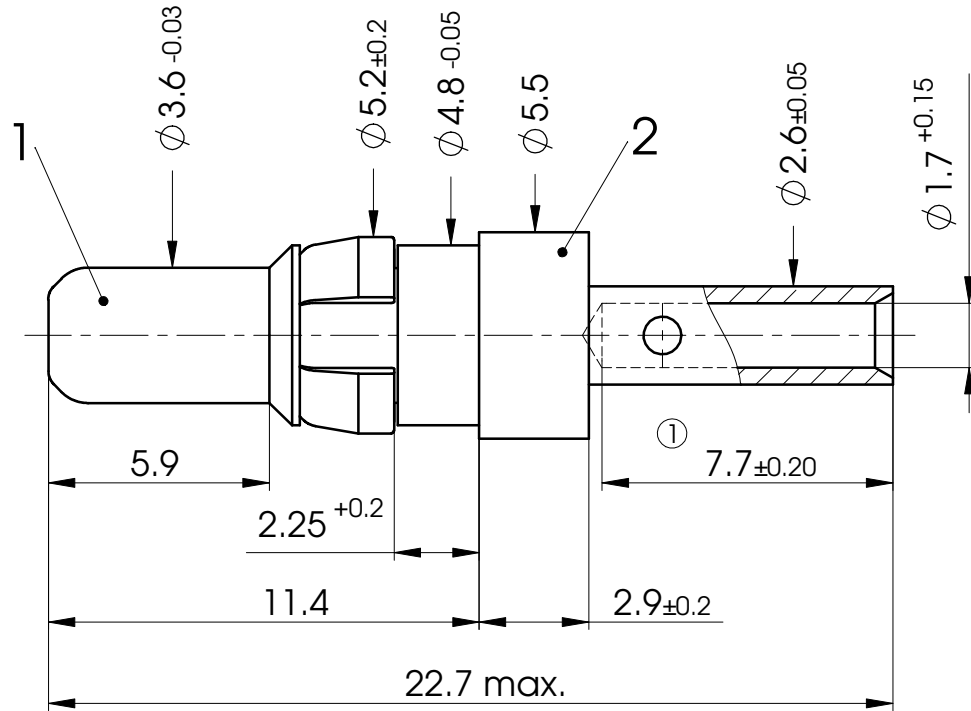
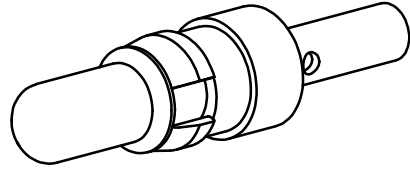


COMMENT:
 ALL RIGHTS ARE RESERVED BY US FOR THIS DRAWING. WITHOUT OUR PRIOR CONSENT,
 IT MAY NEITHER BE DUPLICATED NOR MADE AVAILABLE TO A THIRD PARTY,
 AND IT ALSO MAY NOT BE IMPROPERLY USED BY THE RECEIVER, OR A THIRD PARTY.



Text No. W-4

FCT tools:

Hand tool: M309

Pneumatic crimp tool: WA27-309

Die: SP994

Selector Number:

AWG 16 / SEL. 3

AWG 18 / SEL. 2

AWG 20 / SEL. 2

CURRENT		10 A	HIGH POWER CONTACT	SCALE	TITLE	①
FOR		D-SUB		5:1		
DIMENSIONS IN MM			DRAWN	13-07-1993	Steinbrück	
MATERIAL + FINISH SEE EXTRA SHEET			CHECKED	24-05-2006	MTeubel	
UNLESS OTHERWISE SPECIFIED DIMENSIONS FOR REFERENCE ONLY			 www.fctgroup.com		PART NO.	REV.
2	24-05-2006	11330			FMP002P	2
REV.	DATE	INDEX	ORIGINAL: DIN A4-DRAWING AS A FILE		REPLACEMENT FOR:	PAGE: 1/1