

QG series

QG30-KAX-12,0E-AI-K

Acceleration sensor

1 axis horizontal/vertical mounting

Output
4 - 20 mA

Supply voltage
10 - 30V dc

Measuring range
 ± 12 G



QG30-KAX-12,0E-AI-K

Housing
Dimensions (indicative)
Mounting
Ingress Protection (IEC 60529)
Relative humidity
Weight
Supply voltage
Polarity protection
Current consumption
Operating temperature
Storage temperature
Measuring range
Centering function
Frequency response (-3dB)
Accuracy (2 σ)
Offset error
Non linearity
Sensitivity error
Resolution
Temperature coefficient
Max mechanical shock
Output
Output load
Short circuit protection
Response time

General specifications v20151013

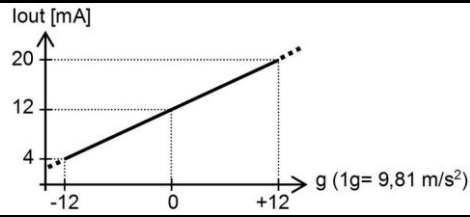
Plastic injection molded housing (Quadro30, PBTP black)
30x30x15 mm
2x M3x16 mm zinc plated steel pozidrive screws included
IP67
0 - 100%
ca 15 gr (excl cable)
10 - 30V dc
Yes
≤ 10 mA (excluding output signal)
-25 .. +85°C
-25 .. +85°C
± 12 G
No
0 - 1000 Hz (± 250 Hz)
overall 0,4g typ. (offset excluded)
$\pm 0,3$ g
$< \pm 0,09$ g
$< \pm 3,5\%$
0,016 g
± 1 mg/K typ.
3.500g
4 - 20 mA
Rload $\leq (50 \cdot V_s - 300)$ (Ω) (Eg: $V_s = 24$ V: Rload $\leq 900 \Omega$)
Yes (max 10 s)
$< 0,15$ ms

QG30-KAX-12,0E-AI-K

$$I_{out} = 12 + 0,67 \cdot g \text{ [mA]}$$

No output clipping outside specified measuring range:
Output between approx. 1 - 23mA

Transfer characteristic



QG30-KAX-12,0E-AI-K

The default 0 g position is when the sensor is mounted horizontally or vertically and no acceleration is applied.

Measurement orientation



QG30-KAX-12,0E-AI-K

Connection

Wire / pin coding

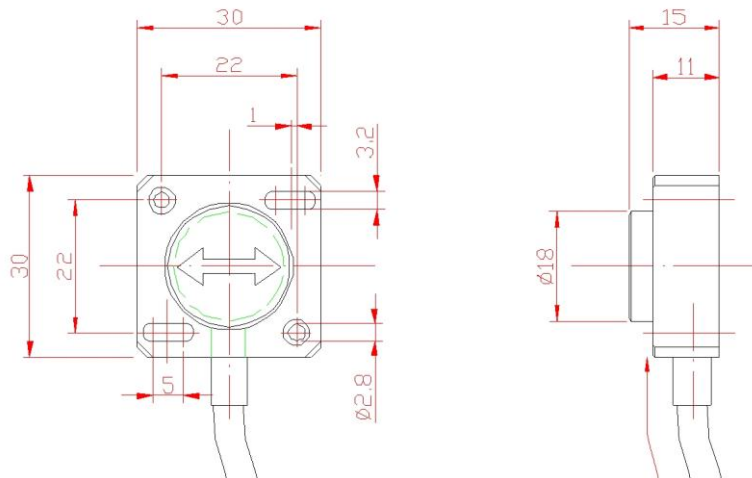
Connectivity (length ±10%)

2 m PVC/PVC Liyy, black Ø 4,6 mm, wires: 3x0,34 mm² Sensor colors (static usage)

Brown	+ Supply Voltage
Black	Output
Blue	Gnd

QG30-KAX-12,0E-AI-K

Mechanical dimensions (indicative only)



QG30-KAX-12,0E-AI-K