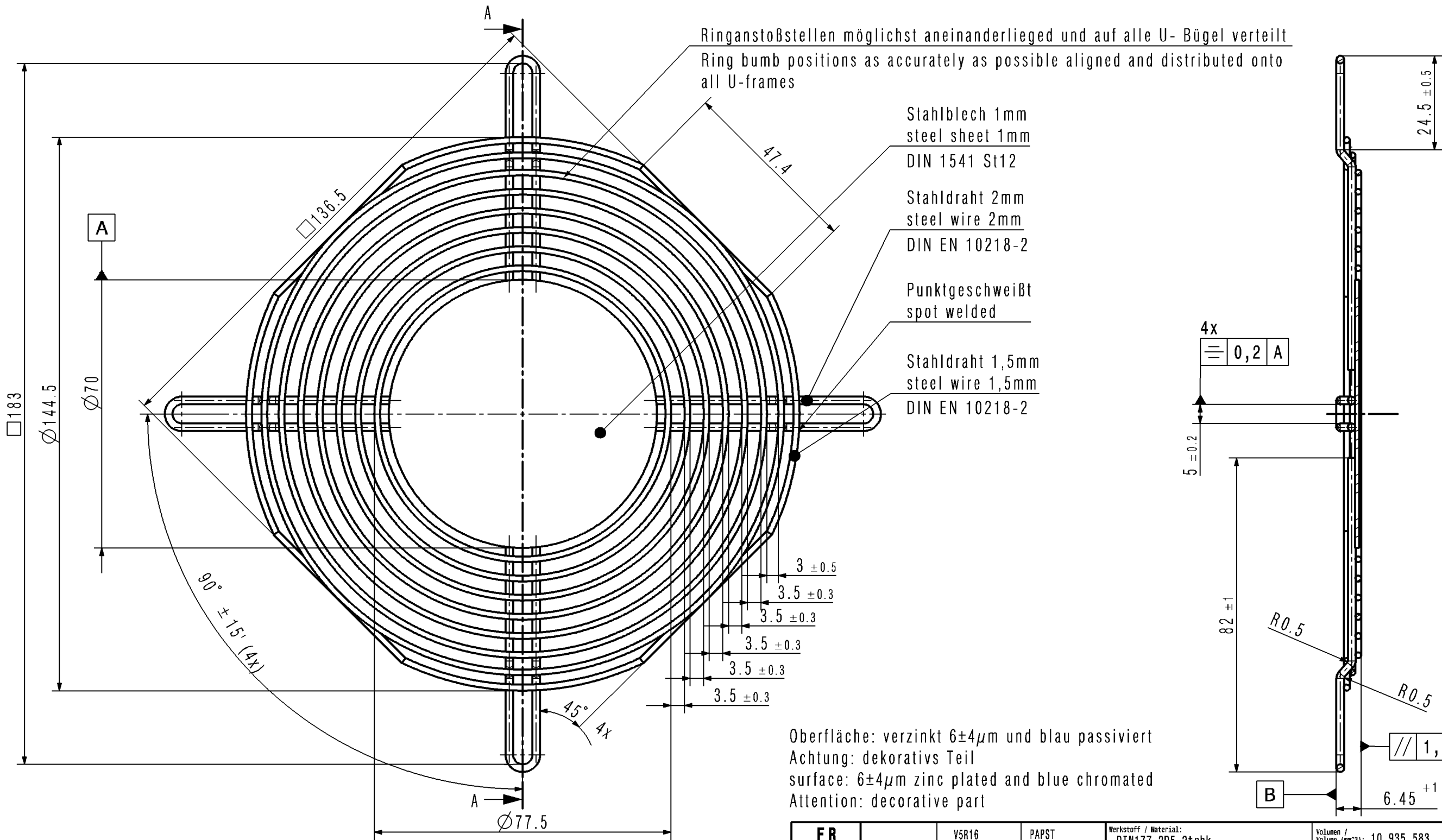


Copying of this document, and giving it others and the use or communication of the contents thereof, are
 forbidden without express authority. Offenders are liable to the payment of damages. All rights are reserved
 in the event of the grant of a patent or the registration of a utility model or design.

Schutzmerk nach DIN ISO 16016 beachten!
 Refer to protection notice DIN ISO 16016!



FR	V5R16	PAPST	Werkstoff / Material: DIN177-2D5-2trbk		Volumen / Volume (mm ³): 10.935,583		
SAP-Status/State	Änd.-Nr. / Change-No.	CATIA-System-Version/ CATIA-System-Version	CAD-Umgebung/ CAD-Environment	WerkstoffNr.: 1.0288	Gewicht / Mass (g):		
		Datum Name		Artikel / Title:			
		Bearb. / Drawn	15.12.2008	ZIEBOLL	LZ53 Schutzgitter/guard grille according to DIN EN ISO 13857		
		Gepr. / Checked	18.12.2008	SEIDLER			
Tolerierung / Tolerances: DIN7167		Freig. / Releas.	18.12.2008	SEIDLER	Zchg.-Nr. / Drawing No: 9920053000		
Allgemeintoleranzen / Gen. Tolerances: DINISO2768-mK-E				Ers.f.Zchg. / Replaces:			
				Dokumenttyp / Type of Document	Teildokument (Blatt/Page)	Index / Index	Format / Size: A3
		ebm-papst St. Georgen GmbH & Co KG		C2D	001	-	1:1