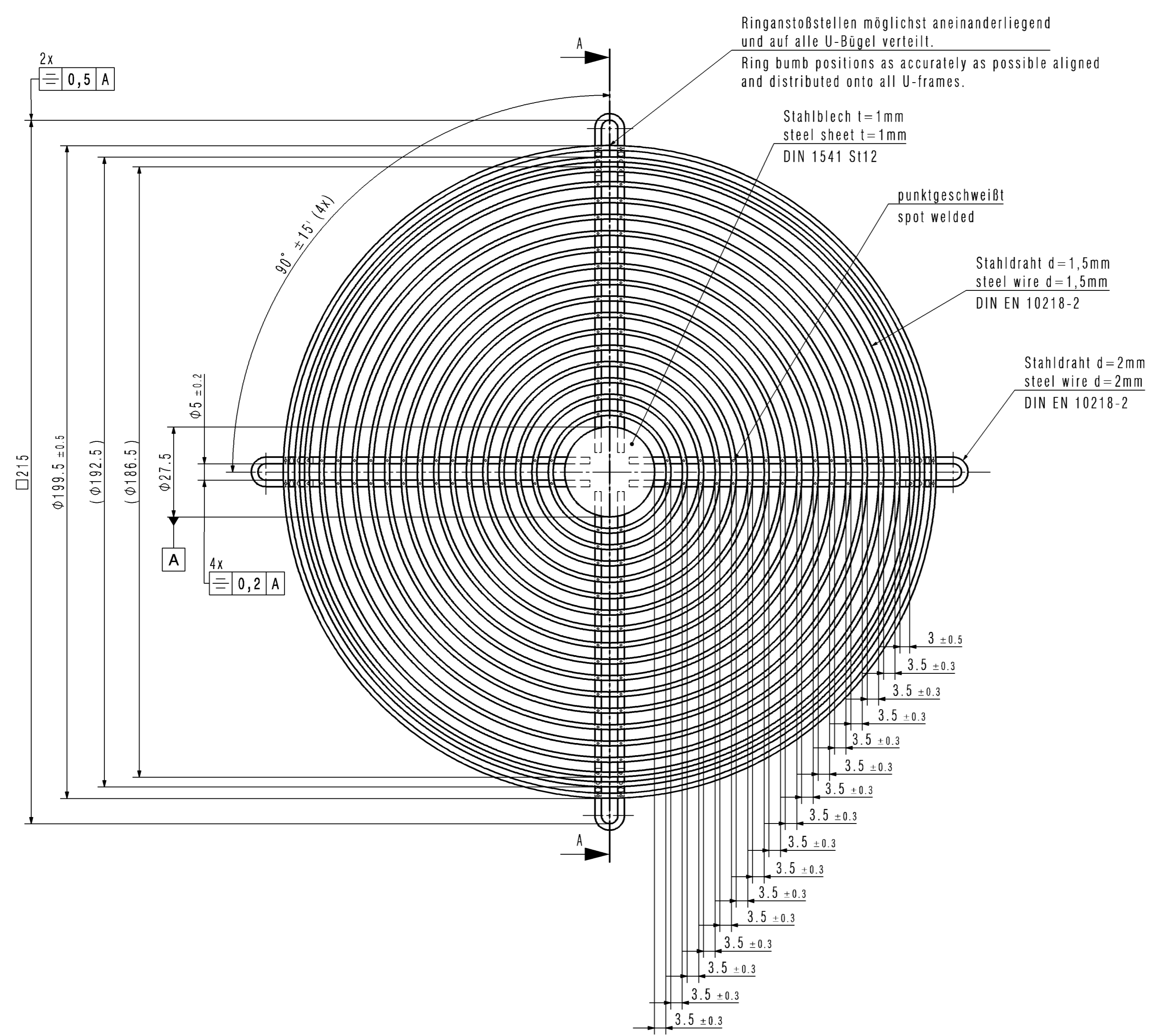
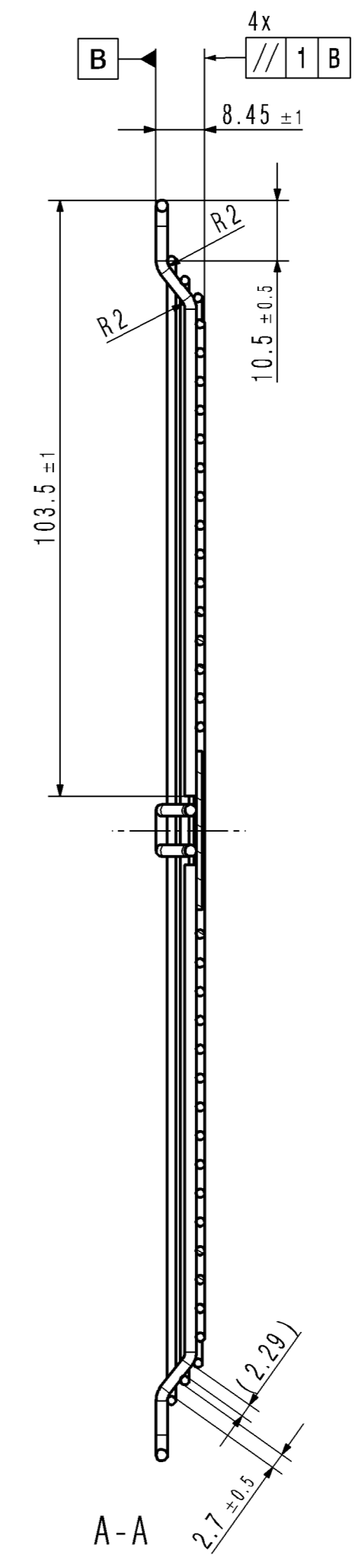


Copying of this document, and giving it others and the use or communication of the contents thereof, are forbidden without express authority. Offenders are liable to the payment of damages. All rights are reserved in the event of the grant of a patent or the registration of a utility model or design.

Schutzmerkmale nach DIN ISO 15846 beachten!  
 Refer to protection notice DIN ISO 15846.



Ringanstoßstellen möglichst aneinanderliegend  
 und auf alle U-Bügel verteilt.  
 Ring bump positions as accurately as possible aligned  
 and distributed onto all U-frames.



Oberfläche: galvanisch glanzverzinkt, blau chromatiert, Schichtdicke 8-10µm  
 alternativ: vernickelt, Schichtdicke 3µm  
 Achtung! dekoratives Teil!  
 surface: bright zincked, blue chromated, layer thickness 8-10µm  
 alternative: nickel-pated, layer thickness 3µm  
 Attention! Decorative part!

FR	V5R19	PAPST	Werkstoff / Material: Stahldraht / steel wire DIN EN 10016-1		Volumen / Volume (cm³): 15.272,139	
	SAP-Status/State	Änd.-Nr./ Change-No.	CATIA-System-Version/ CATIA-System-Version	CAD-Umgebung/ CAD-Environment	Gewicht / Mass (g): 109,806	
	Datum Date		Artikel / Title:			
	Bearb./ Drawn	20.04.2010	KIENINGER	<b>LZ22 Schutzgitter/guard grille</b> according to DIN EN ISO 13857		
	Gepr./ Checked	23.06.2010	KIENINGER			
Tolerierung / Tolerances: DIN 7167	Freig./ Released:		23.06.2010	SEIDLER		
Allgemeintoleranzen / Gen. Tolerances: DIN ISO 2768-mK-E			Zug.-Nr. / Drawing No: <b>9920022000</b>		Ers.f.Zchg. / Replaces:	
	Dokumenttyp / Type of Document	Teilnummer / Part No.	Index / Index	Format / Size:	Maßstab/Scale	
	ebm-papst St. Georgen GmbH & Co KG	C2D	001	A2	1:1	

Vertraulich / Confidential Information 10.07.2017