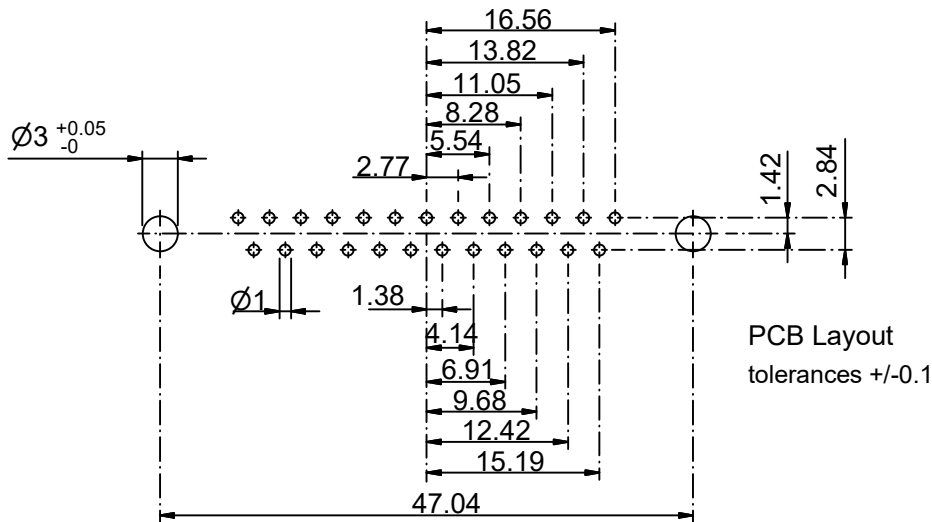
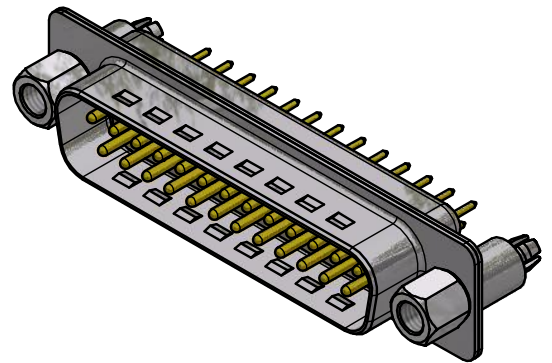
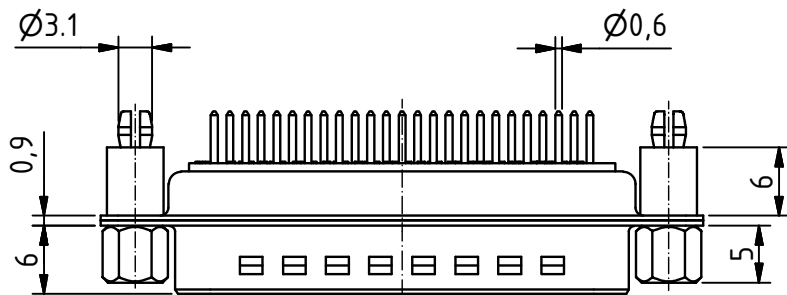
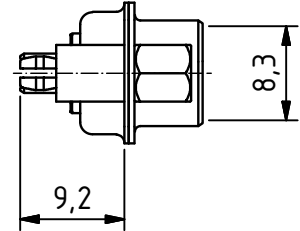
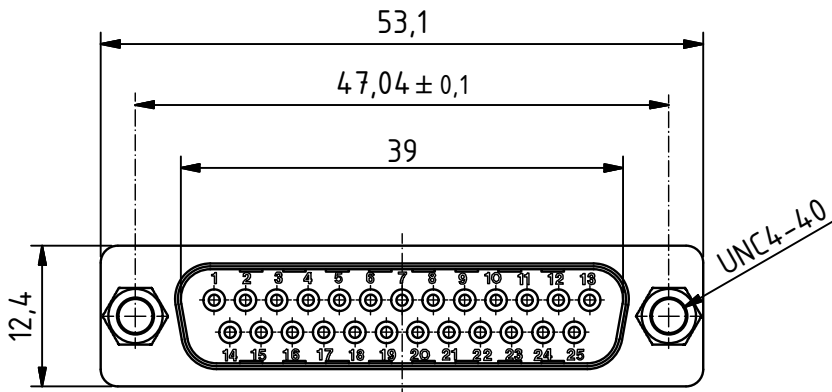


RoHS compliant



PCB Layout tolerances +/-0.1

Product is suitable for Wave Solder Process

General tolerances (Delttron standard)	
size in mm	
> 0.5	> 30
up to 3	up to 6
up to 3	up to 30
up to 6	up to 120
tolerances	
±0.1	±0.2
±0.2	±0.3

MATERIALS

- Insulator: Thermoplastic UL 94-V-0 white
- Contact: Machined / Copper alloy
- Contact finish: Quality class 2
- Shell: steel tin plated

CHARAKTERISTICS

- Working voltage: 125V
- Current rating: 7.5A
- Contact resistance: max. 10mΩ - DIN41652
- Insulation resistance: >5GΩ
- Temperature range: -55° to +125°C

	All dimensions in mm	Rev.	Rev.	Rev.	DE002387		
		Rev.	Rev.	Rev.	part no.		
DTS25PY/2M86UNB5				1.5:1	drawn	05.08.2010	mr
				scale	checked		
					approved		
				Industrie Neuhof 8c CH-3422 Kirchberg www.d-sub.swiss		K050531 drawing no.	