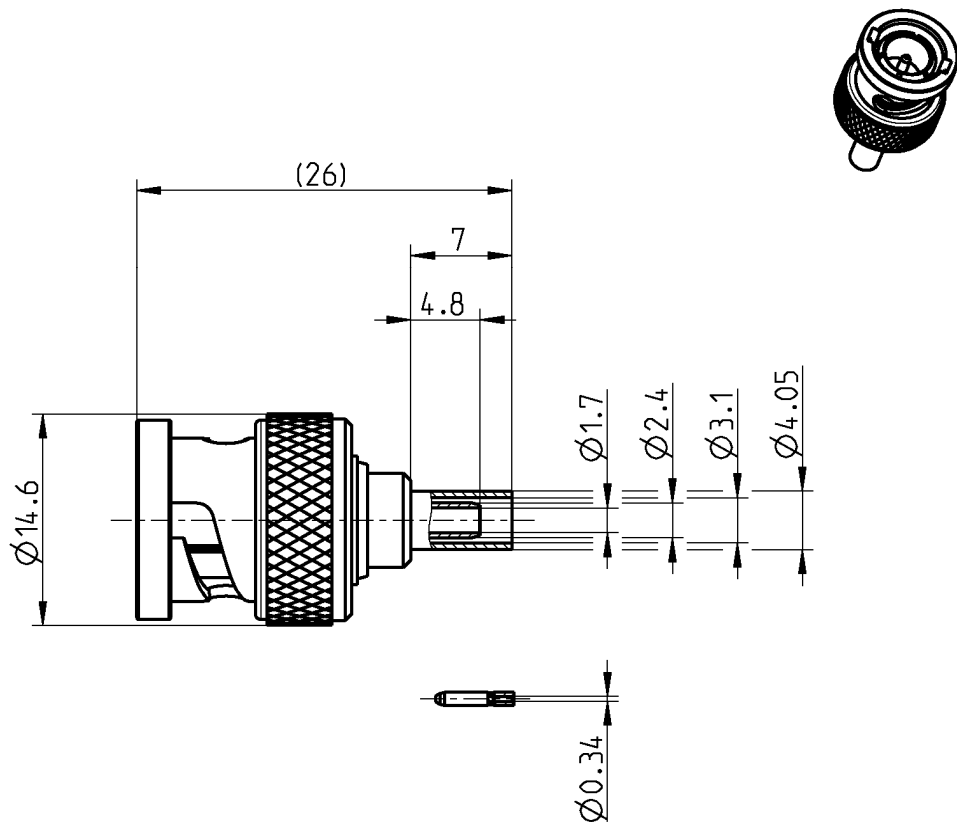


BNC 75
Ω

STRAIGHT PLUG

71S107-802N5



All dimensions are in mm; tolerances according to ISO 2768 m-H

Interface

Compatible to IEC 60169-8, MIL-PRF-39012, CECC 22120

Documents

Assembly instruction 51 T

Material and plating

Connector parts

- Center contact
- Outer contact
- Body
- Dielectric
- Gasket
- Crimping ferrule

Material

- Spring bronze
- Brass
- Brass
- PTFE
- NeopreneCR 50C6
- Copper

Plating

- AuroDur®, gold plated
- Flash white bronze over silver(e.g. Optargen®)
- Flash white bronze over silver(e.g. Optargen®)
- Flash white bronze over silver(e.g. Optargen®)

BNC 75
Ω

STRAIGHT PLUG

71S107-802N5

Electrical data

Impedance	75 Ω
Frequency	DC to 4 GHz
Return loss	≥ 32 dB, DC to 1 GHz ≥ 25 dB, 1 to 2 GHz ≥ 18 dB, 2 to 4 GHz
Insertion loss	≤ 0.05 x √ f [GHz] dB
Insulation resistance	≥ 5 x10 ³ MΩ
Center contact resistance	≤ 1.5 mΩ
Outer contact resistance	≤ 1 mΩ
Test voltage	1500 V rms
Working voltage	400 V rms
Power handling (at 20 °C, sea level, VSWR 1.0)	≤ 80 W @ 2 GHz

- Limitations are possible due to the used cable type -

Mechanical data

Mating cycles	min. 500
Center contact captivation: axial	≥ 27 N

Environmental data

Temperature range	-45°C to +85°C
Thermal shock	MIL-STD-202, Meth. 107, Cond. B
Corrosion	MIL-STD-202, Meth. 101, Cond. B
Vibration	MIL-STD-202, Meth. 204, Cond. B
Shock	MIL-STD-202, Meth. 213, Cond. G
Moisture resistance	MIL-STD-202, Meth. 106
RoHS	compliant

Tooling

Crimping tool	11W150-000
Crimp insert	11W150-402

Suitable cables

RG 179 B/U, RG 187 A/U

Weight

Weight	9.3 g/pce
--------	-----------

While the information has been carefully compiled to the best of our knowledge, nothing is intended as representation or warranty on our part and no statement herein shall be construed as recommendation to infringe existing patents. In the effort to improve our products, we reserve the right to make changes judged to be necessary.

Draft	Date	Approved	Date	Rev.	Engineering change number	Name	Date
Inge Mühlauer	16/07/08	Sa. Krautenbacher	24.03.14	b00	14-0352	T. Krojer	24.03.14
Rosenberger Hochfrequenztechnik GmbH & Co. KG P.O.Box 1260 D-84526 Tittmoning Germany www.rosenberger.de					Tel.: +49 8684 18-0 Fax: +49 8684 18-499 email: info@rosenberger.de		Page 2 / 2