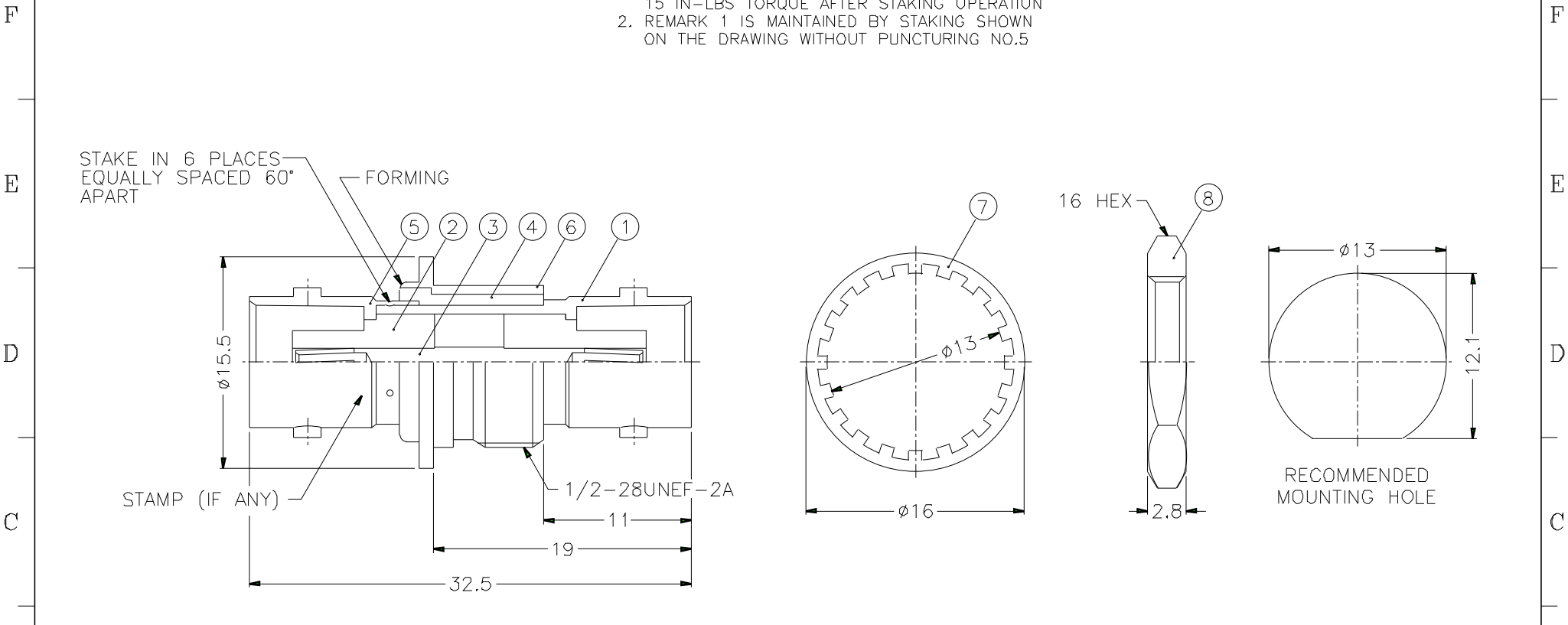


REVISIONS		
ISS	ZONE	DESCRIPTION\PER REQUEST\DATE

REMARK:1. AMONG NO.1, NO.5 AND NO.6 MUST WITHSTAND 15 IN-LBS TORQUE AFTER STAKING OPERATION
 2. REMARK 1 IS MAINTAINED BY STAKING SHOWN ON THE DRAWING WITHOUT PUNCTURING NO.5



NOTES: FINISH (PLATING THICKNESS IN MICRO-INCHES)
 1. BRASS PER QQ-B-626
 2. BRASS PER QQ-B-613
 3. NICKEL PL. 100 MIN. THICK OVER COPPER STRIKE
 4. PHOSPHOR BRONZE PER QQ-B-750
 5. GOLD PL. 3 MIN. THICK OVER NICKEL PL. 100 MIN. THICK OVER COPPER STRIKE

1. MAX. PANEL THICKNESS=4.5mm

8	HEX NUT	NOTE 1	NOTE 3	1	HN16-1/2-28X28	DIMENSIONS ARE IN MILLIMETERS UNLESS OTHERWISE SPECIFIED TOLERANCES 0.5-6 = ±0.2 6-30 = ±0.4 30-120 = ±0.6 120-315 = ±1 315-1000 = ±1.6 1000-2000 = ±2.4	PART NO.	B7771B1-ND3G-50		<h1 style="text-align: center;">Amphenol</h1> <p style="text-align: center;">TITLE BNC FEMALE TO FEMALE BULKHEAD ISOLATED ADAPTOR</p> <p style="text-align: center;">DRAWING NO. KJ-B7771B1-ND3G-50</p> <p style="text-align: center;">ITEM NO.</p>	
7	LOCK WASHER	NOTE 2	NOTE 3	1	LW-16/13X05		APPROVED	DATE	10-11-01'		
6	HOUSING	NOTE 1	NOTE 3	1	B7925-6-C		CHECKED	DATE	10-11-01'		
5	BODY	NOTE 1	NOTE 3	1	B7925-5		DRAWN	DATE	10-11-01'		
4	INSULATOR	DELRIIN	NATURAL	1	B7925-4-B						
3	CONTACT PIN	NOTE 4	NOTE 5	1	B7900-4	SCALE	2.5/1	ISSUE	A	FILE NO.	
2	INSULATOR	DELRIIN	NATURAL	2	B7996ZZ-3-50						
1	BODY	NOTE 1	NOTE 3	1	B7925-1-D						

NO.	DESCRIPTION	MATERIAL	FINISH	Q'TY	DRAWING NO.	SCALE	2.5/1	ISSUE	A	FILE NO.	
-----	-------------	----------	--------	------	-------------	-------	-------	-------	---	----------	--