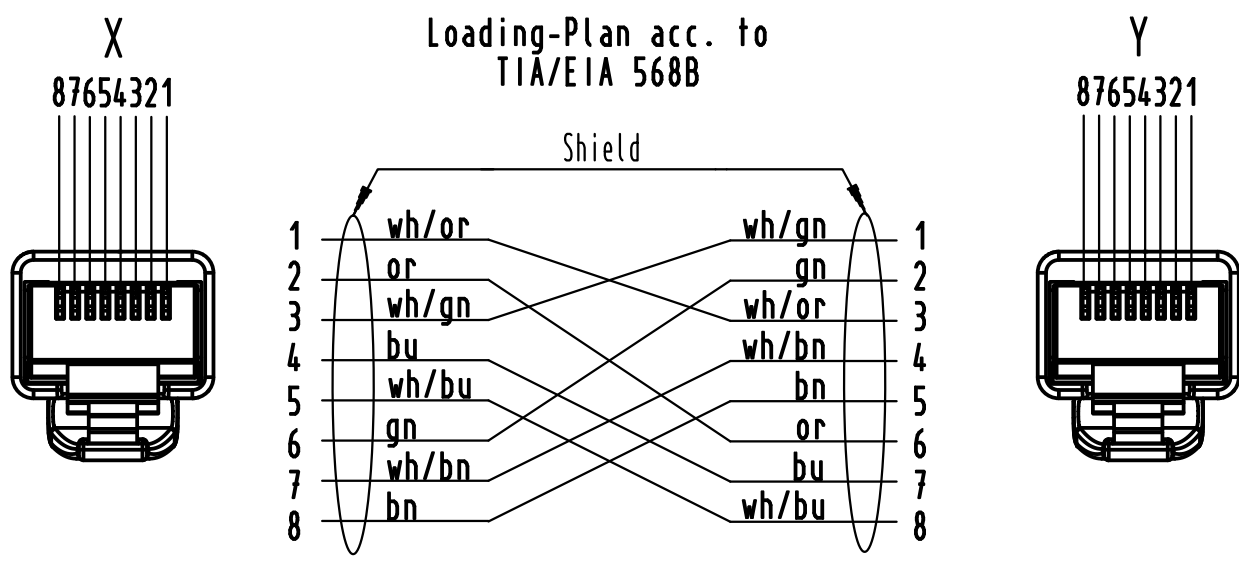


Mating face RJ45 according to IEC 60603-7

RJ45 cable 8AWG 27/7, Cat6 PUR

Protection Latch yellow



Loading-Plan acc. to TIA/EIA 568B

Shield

For lengths < 1,0m:
 - relative positioning of the connectors to each other will be as presented in the drawing, however with an admissible angular deviation around cable axis of $\pm 30^\circ$
 For lengths $\geq 1,0m$:
 -relative positioning of the connectors to each other not obligatory
 -Transmission properties acc.to IEC 61935-2 Cat.6
 -Protection level: IP20

For Information Only
 -won't be replaced when changed-

25	09 47 47 47 165	4x2AWG 27/7 S/FTP Cat.6 PUR	40,0 ($\pm 0,400$) m
24	09 47 47 47 164	4x2AWG 27/7 S/FTP Cat.6 PUR	30,0 ($\pm 0,300$) m
23	09 47 47 47 163	4x2AWG 27/7 S/FTP Cat.6 PUR	20,0 ($\pm 0,200$) m
22	09 47 47 47 162	4x2AWG 27/7 S/FTP Cat.6 PUR	15,0 ($\pm 0,150$) m
21	09 47 47 47 161	4x2AWG 27/7 S/FTP Cat.6 PUR	10,0 ($\pm 0,100$) m
20	09 47 47 47 160	4x2AWG 27/7 S/FTP Cat.6 PUR	9,0 ($\pm 0,090$) m
19	09 47 47 47 159	4x2AWG 27/7 S/FTP Cat.6 PUR	8,0 ($\pm 0,080$) m
18	09 47 47 47 158	4x2AWG 27/7 S/FTP Cat.6 PUR	7,5 ($\pm 0,075$) m
17	09 47 47 47 157	4x2AWG 27/7 S/FTP Cat.6 PUR	7,0 ($\pm 0,070$) m
16	09 47 47 47 156	4x2AWG 27/7 S/FTP Cat.6 PUR	6,0 ($\pm 0,060$) m
15	09 47 47 47 155	4x2AWG 27/7 S/FTP Cat.6 PUR	5,0 ($\pm 0,040$) m
14	09 47 47 47 154	4x2AWG 27/7 S/FTP Cat.6 PUR	4,0 ($\pm 0,040$) m
13	09 47 47 47 153	4x2AWG 27/7 S/FTP Cat.6 PUR	3,0 ($\pm 0,040$) m
12	09 47 47 47 152	4x2AWG 27/7 S/FTP Cat.6 PUR	2,5 ($\pm 0,040$) m
11	09 47 47 47 151	4x2AWG 27/7 S/FTP Cat.6 PUR	2,0 ($\pm 0,040$) m
10	09 47 47 47 150	4x2AWG 27/7 S/FTP Cat.6 PUR	1,5 ($\pm 0,040$) m
9	09 47 47 47 149	4x2AWG 27/7 S/FTP Cat.6 PUR	1,0 ($\pm 0,040$) m
8	09 47 47 47 148	4x2AWG 27/7 S/FTP Cat.6 PUR	0,9 ($\pm 0,040$) m
7	09 47 47 47 147	4x2AWG 27/7 S/FTP Cat.6 PUR	0,8 ($\pm 0,040$) m
6	09 47 47 47 146	4x2AWG 27/7 S/FTP Cat.6 PUR	0,7 ($\pm 0,040$) m
5	09 47 47 47 145	4x2AWG 27/7 S/FTP Cat.6 PUR	0,6 ($\pm 0,040$) m
4	09 47 47 47 144	4x2AWG 27/7 S/FTP Cat.6 PUR	0,5 ($\pm 0,020$) m
3	09 47 47 47 143	4x2AWG 27/7 S/FTP Cat.6 PUR	0,4 ($\pm 0,020$) m
2	09 47 47 47 142	4x2AWG 27/7 S/FTP Cat.6 PUR	0,3 ($\pm 0,020$) m
1	09 47 47 47 141	4x2AWG 27/7 S/FTP Cat.6 PUR	0,2 ($\pm 0,020$) m

Cont. no.	Part-No.	Type of cable	Dim. a
-----------	----------	---------------	--------

All Dimensions in mm Original Size DIN A 3		Techn. Character.			Nicht tolerierte Maß/Free size tolerances	
Mod.	Dat.	Name	Dat.	Name	Maßstab/Scale	RJ45 cord, 2xRJ45 overmoulded, 4x2AWG 27/7, Cat.6, PUR, crossover
DRS435F	14.02.11	RO	Detail.	25.05.09	MS	
DRS675A	19.03.10	RA	Insp.	25.05.09	RA	
DRS507B	03.11.09	MR	Stand.			
DRS507A			HARTING Electronics GmbH & Co. KG D-32339 ESPELKAMP			
						TB 09 47 47 47 xxx
			Sub.			Blatt/ page

Alle Rechte vorbehalten/ All rights reserved