



## Features:

- Tailored for emerging product designs
- Similar size to USB2.0 Micro-B
- Reversible plug orientation & cable direction
- Extended 5A current ranges plus USB Power delivery
- Designed to establish future USB performance needs
- High speed up to 10Gb/s

## Overview:

Amphenol's USB C type connectors, designed for emerging product designs are fully compliant to the newest C Type spec. The usability for these low profile connectors is enhanced by offering reversible plug and cable directions. The connectors also support scalable power charging by extending 5A current ranges plus USB power delivery.

## Applications:

### Smart Phones & Mobile Devices

- GPS systems
- MP3 & music players
- Mobile phones
- Tablets, PCs, notebooks
- Portable charging bases

### Automotive

- Comfort
- Driver assistance systems
- Infotainment systems

### Consumer

- Copiers, printers, scanners
- Digital cameras, video cameras
- Digital & DVD media players
- LCD & TV panels
- Set top boxes

### Telecommunications

- Handsets
- ISDNs
- PBXs



## Technical Characteristics:

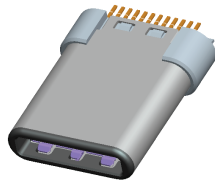
### Plug: 12401562E4#2A

Materials	
Contacts	Copper alloy
Shell	Stainless steel
Housing	High temperature polymer UL94V-0, black
Plating	
Contacts	Selective plating in contact area; solder tail matte tin over nickel; see drawing for more detail
Shell	Nickel Plating
<b>Coplanarity: 0.08 Max.</b>	

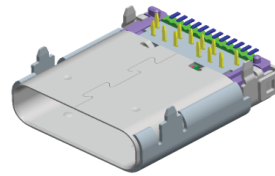
### Socket, hybrid type, top mount: 12401548E4#2A

Materials	
Contacts	Copper alloy
Shell	Stainless steel
Housing	High temperature polymer UL94V-0, black
Plating	
Contacts	Selective plating in contact area; solder tail matte tin over nickel; see drawing for more detail
Shell	Nickel Plating
<b>Coplanarity: 0.08 Max.</b>	

## Ordering Information:



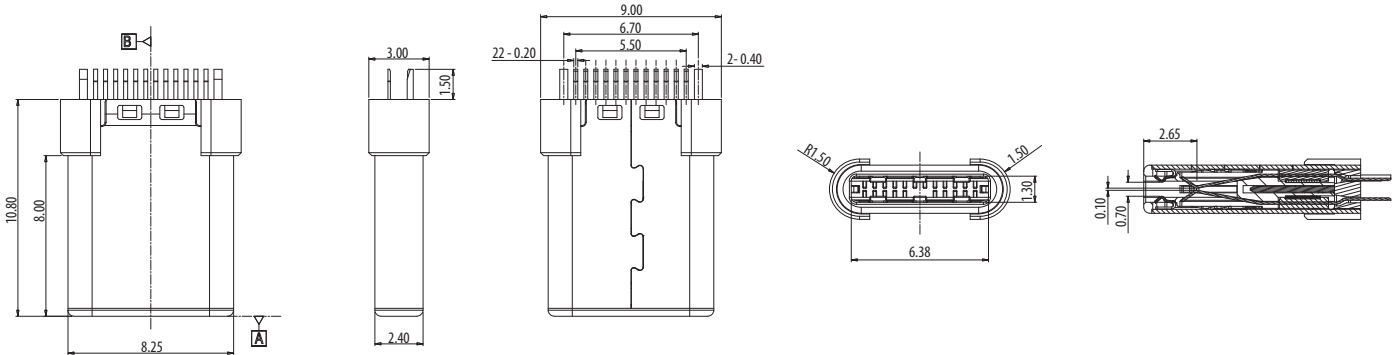
USB Plug  
PN: 12401562E4#2A



Receptacle  
PN: 12401548E4#2A

## Dimensions:

### Plug: 12401562E4#2A



### Socket, hybrid type, top mount : 12401548E4#2A

