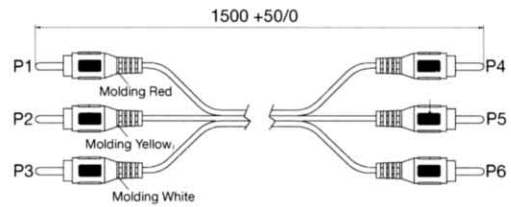
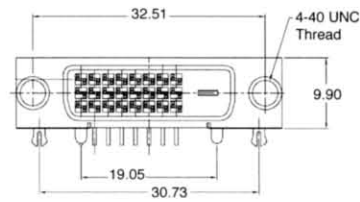
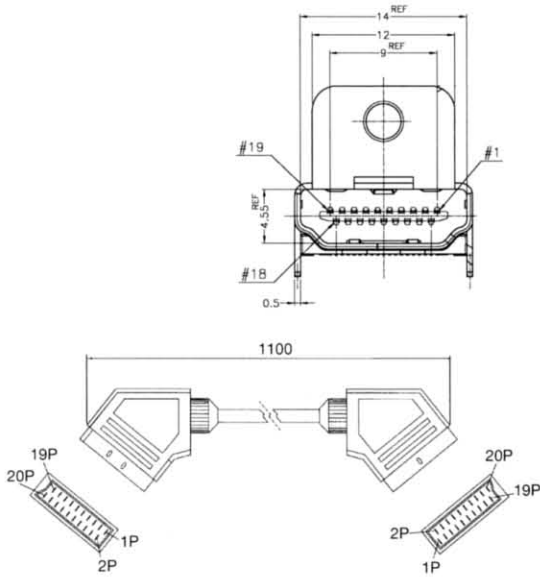
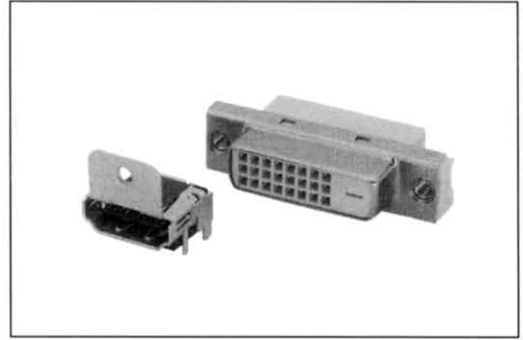


**HDMI / DVI / Scart / RCA  
Connectors and Cable Assemblies**

- Industry standard interfaces
- Board mount connectors with interconnecting cable assemblies and adaptors



Product Style	Description	Mounting Style	Length (metres)	Part Number
DVI	DVI-H Analog + Digital Receptacle - Right Angle	Through Hole	-	1734148-1
DVI	DVI-D Digital Receptacle - Right Angle	Through Hole	-	1734144-1
DVI	DVI - Analog to VGA Cable assembly	Cable Assembly	2.00	1653932-2
HDMI	19 Position Receptacle with Flange (M3 Screw) - Right Angle	SMT	-	1-1747981-1
HDMI	19 Position Receptacle without Flange - Right Angle	SMT	-	1747981-1
HDMI	HDMI to HDMI Cable Assembly	Cable Assembly	1.00	1770019-6
HDMI	HDMI to HDMI Cable Assembly	Cable Assembly	2.00	1770019-1
HDMI	HDMI to HDMI Cable Assembly	Cable Assembly	3.00	1770019-2
HDMI	HDMI Female to DVI Male Adaptor	Adaptor	-	9-1857144-1
DVI / HDMI	DVI Digital to HDMI Cable Assembly	Cable Assembly	1.00	1770020-6
DVI / HDMI	DVI Digital to HDMI Cable Assembly	Cable Assembly	2.00	1770020-1
DVI / HDMI	DVI Digital to HDMI Cable Assembly	Cable Assembly	3.00	1770020-2
RCA Cable	RCA Audio/Video Cable Assembly Yellow/Red/White male connectors	Cable Assembly	1.50	1820515-1
Scart	Scart Cable Assembly	Cable Assembly	1.10	1705095-1