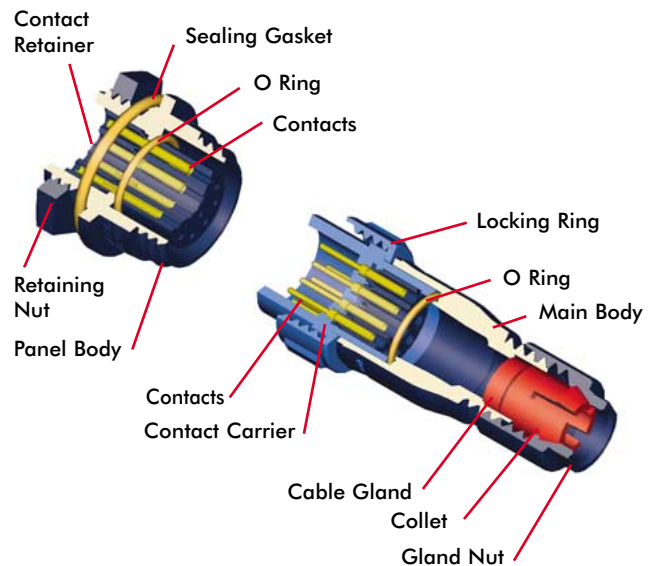


# 400 Series Buccaneer®

**IP68**



BUCCANEER

- Sealed to IP68 when mated
- IP68 rating tested at 1.054kg/sq cm (15lb/sq in) 10m depth for 2 weeks
- 2 and 3 pole - 8A, 250V rating
- 4, 6 and 8 pole - 5A, 125V rating
- 10 and 12 pole - 1A, 50V rating
- 2.5mm contact engagement for electrical integrity
- 'Scoop proof' contacts
- Contact inserts are part of body moulding
- Cable range from 3 to 7mm
- Overall length (flex + flex in-line) 80mm
- Gold plated contacts
- Diameter over coupling ring 19.1mm
- Flex, Flex In-Line, Front Panel, Rear Panel and PCB mounting body styles
- Plug and Socket versions in all body styles
- Flame Retardant moulding material - Polyamide UL94-V0
- Contacts supplied separately (except PCB version)
- Sealing caps available to maintain IP68 rating
- Secure sealing system
- Crimp and solder contacts
- PCB mounting connector supplied with contacts pre-loaded
- Front and rear panel mounting panel connectors
- UL, CSA and VDE approvals

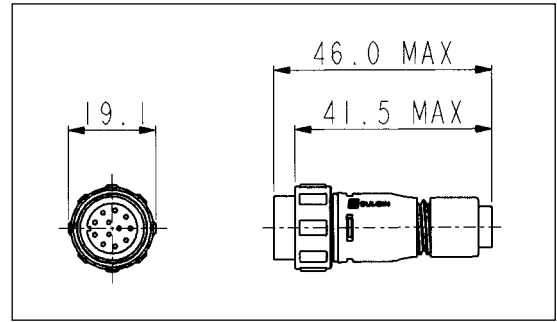
400 Series Buccaneer®

BUCCANEER

FLEX CABLE CONNECTOR



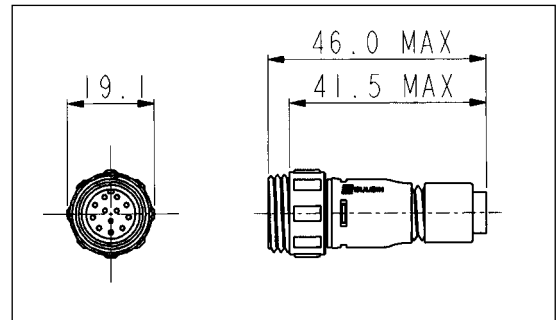
- Mates with Flex In-line or Panel mounting versions PX0411, PX0412 & PX0413
- Screw locking ring
- Contacts supplied separately



IN-LINE FLEX CABLE CONNECTOR



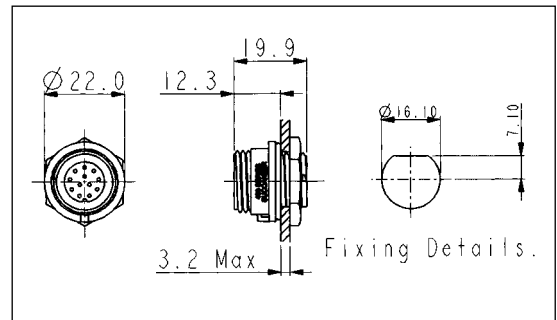
- Mates with Flex Cable connector PX0410
- For in-line cable connection
- Contacts supplied separately



FRONT PANEL MOUNTING CONNECTOR



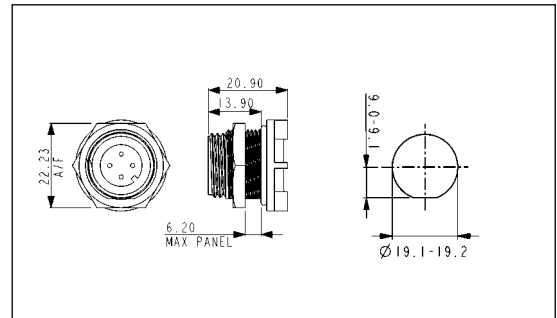
- Mates with Flex Cable connector PX0410
- Front Panel mounting
- Single hole fixing
- Contacts supplied separately



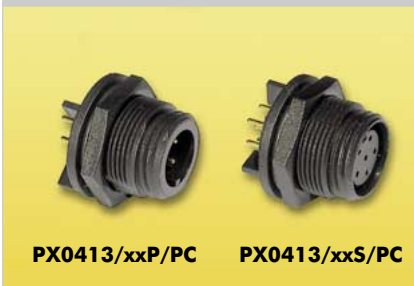
REAR PANEL MOUNTING CONNECTOR



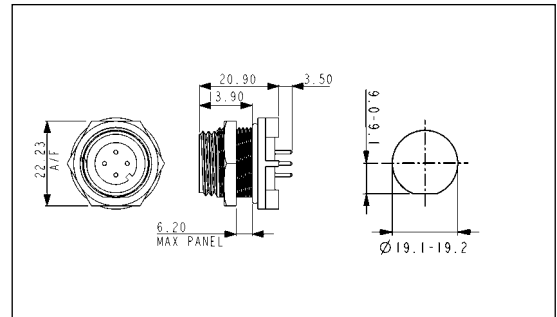
- Mates with Flex Cable connector PX0410
- Rear Panel mounting
- Single hole fixing
- Contacts supplied separately
- 4, 6, 8, 10 or 12 pole



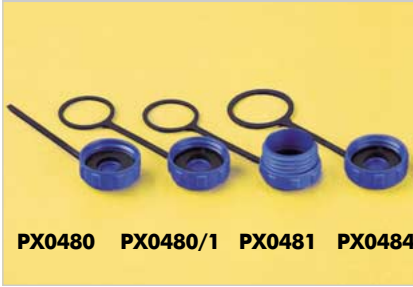
PCB MOUNTING CONNECTOR



- Mates with Flex Cable connector PX0410
- PCB Rear Panel mounting
- Straight PC spills
- Supplied with pre-loaded gold plated contacts
- 4, 6, 8, 10 or 12 pole



**SEALING CAPS AND ACCESSORIES**



- Maintains IP68 Rating of Unmated Connectors
- PX0480. Fits PX0412 style (panel mounting)
- PX0480/1. Fits PX0411 style (flex in-line)
- PX0481. Fits PX0410 style (flex body)
- PX0484. Fits PX0413 styles (PCB and rear panel mount)

**Gland Packs**

Part No	Description
PX0482	Pack of 4 pairs cable glands and collets to suit cables from 3.0 to 5.0mm diameter.
PX0483	Pack of 4 pairs cable glands and collets to suit cables from 5.0 to 7.0mm diameter.

**CRIMP CONTACTS**

Pole	Current Rating	Pin	Socket	Pack Qty	Cable Acceptance (dia)
2, 3	8A	SA3350	SA3349	10	20 - 24 AWG
4, 6, 8	5A	SA3348	SA3347	10	22 - 26 AWG
10, 12	1A	SA3180	SA3179	10	24 - 28 AWG

**SOLDER CONTACTS**

Pole	Current Rating	Pin	Socket	Pack Qty	Cable Acceptance (dia)
2, 3	8A	SA3350/1	SA3349/1	10	20 - 24 AWG
4, 6, 8	5A	SA3348/1	SA3347/1	10	22 - 26 AWG
10, 12	1A	SA3180/1	SA3179/1	10	24 - 28 AWG

**CONTACT INSERTION TOOLS**

	Poles	Contact rating	Colour	Part No
Insertion/Extraction Tool	2,3	8A	Blue	13027/2
Insertion/Extraction Tool	4,6,8	5A	Red	13027/1
Insertion/Extraction Tool	10,12	1A	Green	13027

**CRIMP TOOLS**

	Pole	Contact rating	Colour	Part No
Positioner	2,3	8A	Blue	14025/8AMP
Positioner	4,6,8	5A	Red	14025/5AMP
Positioner	10,12	1A	Green	14025/1AMP
8 Indent Crimp Tool for use with positioners				14025


**ORDERING INFORMATION**

- Determine body style, i.e. PX0410 = flex body, PX0411 = flex in-line body.
- Determine number of contacts & type, i.e. 02 = 2 way, P = pin contacts.
- Determine cable range, i.e. 3035 = 3.0 to 3.5mm cable accommodation, not required for PX0412 or PX0413 (panel connectors).
- Choose appropriate contacts pack, i.e. SA3350 = pin contacts suitable for 2 & 3 way connectors, supplied in pack quantities of 10. Not needed for PX0413/PC as pre-loaded.
- Is a sealing cap required?
- Is an insertion tool required?
- Is a crimp tool required?

**400 Series Buccaneer®**

**SPECIFICATION**

**Electrical:**

Poles:	2, 3	4, 6, 8	10, 12
Current Rating:	8A	5A	1A
Voltage Rating:	250Vac/dc	125Vac/dc	50Vac/dc
Contact Resistance:	<5mΩ		
Insulation Resistance:	>10 <sup>9</sup> MΩ (@ 500V d.c.)		
AC Breakdown Voltage:	2.5kV		
Operating Temperature Range:	-40° to +80°C		
Approvals:	 Approvals pending for PX0413		

**Material:**

Body Mouldings:	Polyamide
Flammability Rating:	UL94V-0
UV Resistance:	To EN 50021:1999
Contacts:	Copper alloy, Gold plated
O Rings:	Nitrile
Panel Sealing O Ring:	Nitrile
<b>RoHS</b>	Compliant

**Mechanical:**

Sealing:	IP68, EN 60529 tested @ 1.054kg/sq cm (15lb/sq in) 10m depth for 2 weeks					
Cable Acceptance:	3.0 - 7.0mm					
Contact Accommodation:	2, 3 pole, 20 - 24 AWG 4, 6, 8 pole, 22 - 26 AWG 10, 12 pole, 24 - 28 AWG					
Termination:	Crimp, solder and PCB					
Insertion/Withdrawal Force:						
No. poles:	2	3	4	6	8	10 12
Insertion Force (typ):	19N	25N	27N	27N	28N	55N 62N
Withdrawal Force (typ):	12N	17N	17N	21N	22N	25N 29N
Tightening Torques:						
Panel mount (PX0412)	1.0 - 1.1Nm					
Front fixing nut:	1.0 - 1.1Nm					
Panel mount (PX0413)	1.0 - 1.1Nm					
Rear fixing nut:	1.0 - 1.1Nm					
Cable Retention force:						
3mm dia	60N					
4.7mm dia	80N					

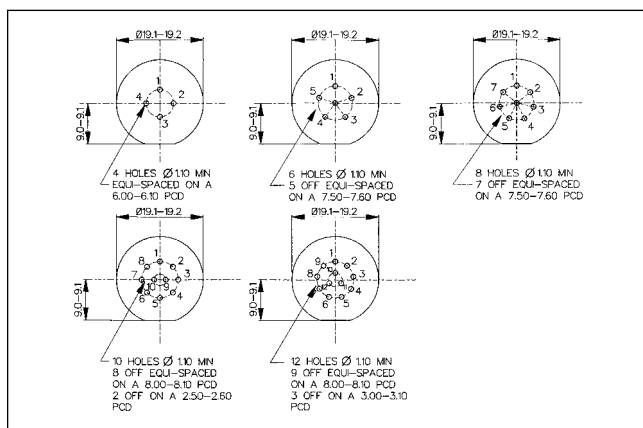
**Dimensions:**

Overall dimensions of connectors when mated together	
Flex + Flex In-Line	80mm
Dia. over coupling ring	19.1mm

**PCB CONTACT LAYOUT**

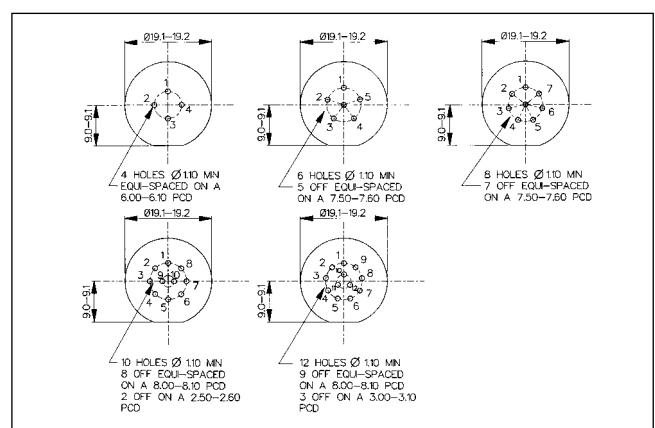
**Sockets**

Contact numbers viewed from rear of panel

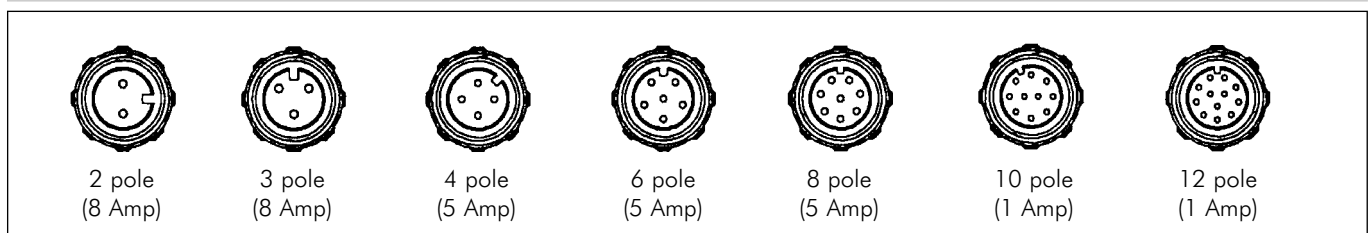


**Plugs**

Contact numbers viewed from rear of panel



**CONTACT LAYOUT**



**PART NO. SYSTEM**

**PX04xx / xx x / xxxx**

**Body Styles**

- PX0410** = Flex body
- PX0411** = Flex in-line body
- PX0412** = Front panel mounting body
- PX0413** = Rear panel/PCB mounting body

**Number Contacts**

- 02** = 2 pole, **03** = 3 pole, **04** = 4 pole, **06** = 6 pole
- 08** = 8 pole, **10** = 10 pole, **12** = 12 pole
- (PX0413: 4, 6, 8, 10 & 12 pole only)

**Contact Type**

- P** = Pin, **S** = Socket

**For PX0410 and PX0411 cable connectors - Cable Entry Size:**

<b>3035</b> = 3.0 - 3.5mm (Light Grey)	<b>5055</b> = 5.0 - 5.5mm (Yellow)
<b>3540</b> = 3.5 - 4.0mm (Grey)	<b>5560</b> = 5.5 - 6.0mm (Blue)
<b>4045</b> = 4.0 - 4.5mm (Green)	<b>6065</b> = 6.0 - 6.5mm (White)
<b>4550</b> = 4.5 - 5.0mm (Red)	<b>6570</b> = 6.5 - 7.0mm (Black)

Cable gland and collet supplied in colour coded pairs.

**For PX0413 PCB/Rear Panel Mount:**

- PC** = Pre-loaded PC pins
- Blank** = no pins supplied

**For PX0412 Front Panel Mount:**

Suffix not required - leave blank

**Examples:**

- PX0410/10S/4045 = Flex cable connector, 10 socket contacts with gland and collet for cables between 4.0 and 4.5mm diameter (supplied less contacts).
- PX0412/08P = Front panel mounting connector, 8 pin contacts (supplied less contacts.)
- PX0413/06P = Rear panel mounting connector, for 6 pin contacts (supplied less contacts).
- PX0413/04P/PC = Rear panel/PCB connector, 4 pin contacts, PCB mounting (supplied with contacts loaded).