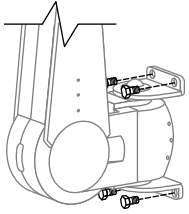


Surface Attachment Options

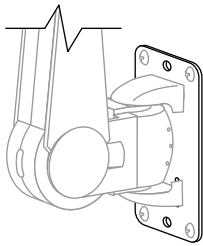
Direct Mounting



400, 300, 200, 100, VL, HD, and FX Series Mounting Solutions can mount directly to surfaces. Since applications vary, fasteners that attach Mounting Solutions to any surface should be supplied by the user. For direct-mount hole patterns, see pp. 56–58.

Always consult the appropriate construction, engineering, or architectural personnel to ensure the product is mounted securely to handle applied loads. For most vertical-surface applications, Ergotron recommends an additional mounting interface, such as a Wall Plate or Wall Track, for added support.

Wall Plates



97-101-003,
Wall Mount Plate
w/ 400 Series Arm

Wall Plates provide better support by spreading weight over a larger area.

Part Number	Description	Dimensions H x W	Shipping Weight
97-101-003, aluminum*	Wall Mount Plate for 400**, 300, 200, 100 Series & HD Pivots	8-3/8" x 3-1/2" (213 x 89 mm)	1 lbs (.5 kg)
60-152-100, grey*	Wall Mount Bracket for HD Series Arms** (excludes HD Pivots)	8" x 6-5/8" (203 x 168 mm)	1 lbs (.5 kg)

* Does not include fasteners for attaching to vertical surface. Customer supplied.

** 97-101-003 also mounts Extenders for 400 Series Arms and 60-152-100 mounts Extenders for HD Series Arms.

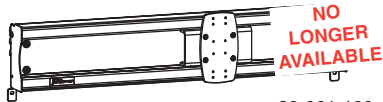
Note: Refer to page 58 for additional specifications.

Furniture Mounts

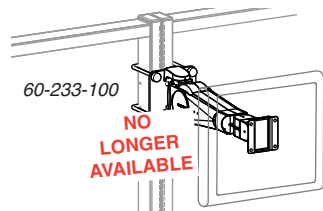
NO
LONGER
AVAILABLE



42-021-100



30-061-100



60-233-100

NO
LONGER
AVAILABLE

400 Series Vertical Mount Arm clamped to double frame

Integrate Flat Panel Mounting Solutions within Ergotron technical furniture systems: LAN Organizer™ 3000 and TechStation.

Part Number	Description	Application	Shipping Weight
42-021-100, grey	Shelf Mount Truck	Mounts 400 Series Suspend Mount Arms below Suspension Shelf or Security Cabinet. Features side-to-side sliding motion across rail	3 lbs (1.4 kg)
30-062-100, grey	30" Rail with Truck	Mounts 100 Series Pivots and 200, 300 and 400 Series Vertical Mount Arms between frame uprights. Features side-to-side sliding motion across rail	7 lbs (3.2 kg)
30-061-100, grey	42" Rail with Truck	Mounts 100 Series Pivots and 200, 300 and 400 Series Vertical Mount Arms between frame uprights. Features side-to-side sliding motion across rail	7 lbs (3.2 kg)
60-231-100, grey	Arm Mount Kit, Front Mount	Mounts 200, 300 or 400 Series Vertical Mount Arms to front of frame	3 lbs (1.4 kg)
60-230-100, grey	Arm Mount Kit, Inside Mount	Mounts 200, 300 or 400 Series Vertical Mount Arms to inside of frame	3 lbs (1.4 kg)
60-233-100, grey	Arm Mount Kit, Double Frame Mount	Mounts 200, 300 or 400 Series Vertical Mount Arms to double frame	3 lbs (1.4 kg)

Wall Tracks



31-016-182



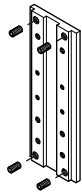
31-017-182



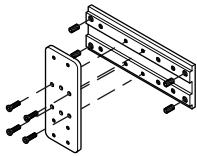
31-018-182



31-019-182



97-091



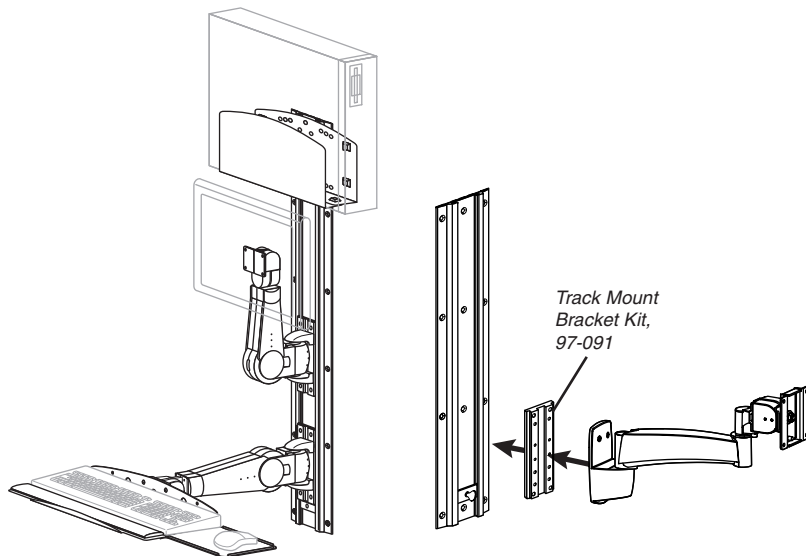
97-090



97-083



60-156



Wall Track provides a common interface for mounting multiple Ergotron components. When mounting components to Wall Track, you must order the appropriate Track Mount Bracket Kits. Peripherals for Wall Track can be found on pages 47–48.

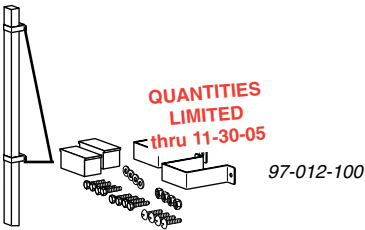
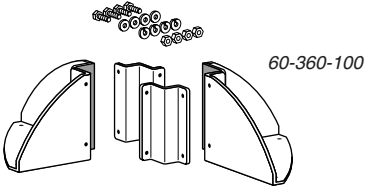
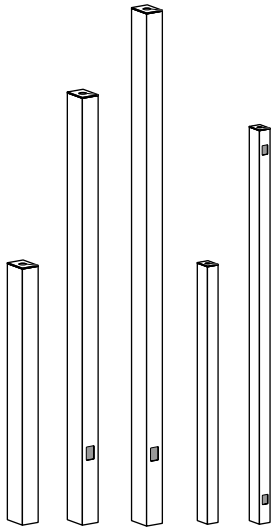
Part Number	Description	Dimensions H x W	Shipping Weight
31-016-182, silver	10" Wall Track	10" x 5" (254 x 127 mm)	2 lbs (.9 kg)
31-038-182, silver	18" Wall Track	18" x 5" (457 x 127 mm)	4 lbs (1.8 kg)
31-017-182, silver	26" Wall Track	26" x 5" (660 x 127 mm)	4 lbs (1.8 kg)
31-018-182, silver	34" Wall Track	34" x 5" (864 x 127 mm)	7 lbs (3.2 kg)
31-039-182, silver	42" Wall Track	42" x 5" (1067 x 127 mm)	8 lbs (3.6 kg)
31-019-182, silver	50" Wall Track	50" x 5" (1270 x 127 mm)	9 lbs (4.1 kg)

Wall Track Mounting Kits	Application
90-010	Wall Track Mounting Kit, (10) Phillips self-tapping 14 x 1.5 LG screw Sheet metal or wood studs
90-011	Wall Track Mounting Kit, (10) Phillips 1/4"-20 x 1.5 LG screw/toggle anchor Hollow walls

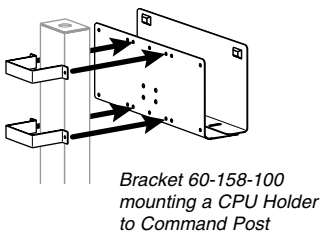
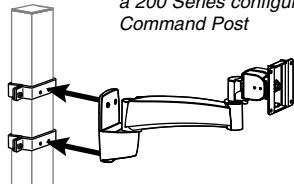
Track Mount Bracket Kits	Application
97-091, aluminum	Track Mount Bracket Kit Mounts 400, 300, 200, 100 Series and HD Pivot to vertically oriented Wall Track, OR 100 Series to horizontally oriented Wall Track
97-090, aluminum	Horizontal Track Mount Bracket Kit Mounts 400, 300, 200 Series and HD Pivot to horizontally oriented Wall Track
60-151, zinc	Vertical Track Mount Bracket Kit Mounts HD Arms and HD Extenders to vertically oriented Wall Track
97-083, aluminum	Vertical Track Mount Bracket Kit Mounts Extenders for 400 Series to vertically oriented Wall Track
60-156, zinc	Peripheral Track Mount Bracket Kit Mounts CPU Holders to vertically oriented Wall Track

Note: Refer to page 58 for additional specifications.

Command Posts



Bracket 60-364-100 mounting a 200 Series configuration to Command Post



Bracket 60-158-100 mounting a CPU Holder to Command Post

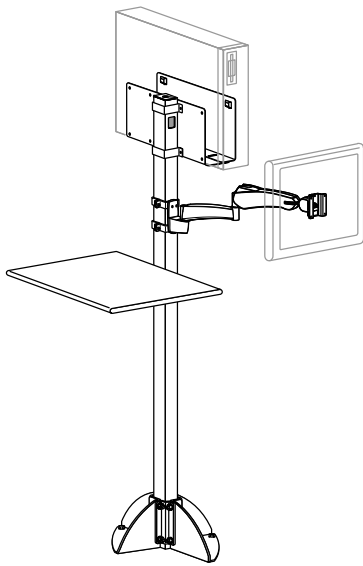
Command Post gives you the flexibility to mount one or more computer systems to a floor, bench, machine or ceiling – using little or no floor space. It is constructed from heavy-duty 11-gauge steel for long-lasting durability.

Brackets are required to mount Mounting Solutions and peripherals to the Command Post. A Bracket Interface, which adapts the component to the standard bracket, is also required for the Vertical Lift and the Cable Box. Peripherals for Command Post can be found on pages 43 and 47–48.

Part Number	Description	Dimensions (H x W x D)		Shipping Weight
Bases				
20-142-100, grey	48" Post, 2" x 2"	48" x 2" x 2" (1219 x 51 x 51 mm)	QUANTITIES LIMITED THRU 11-30-05	10 lbs (4.5 kg)
20-143-100, grey	74" Post, 2" x 2"	74" x 2" x 2" (1880 x 51 x 51 mm)	QUANTITIES LIMITED THRU 11-30-05	20 lbs (9.1 kg)
20-075-100, grey	48" Post, 3" x 3"	48" x 3" x 3" (1219 x 76 x 76 mm)	QUANTITIES LIMITED THRU 11-30-05	20 lbs (9.1 kg)
20-076-100, grey	80" Post, 3" x 3"	80" x 3" x 3" (2032 x 76 x 76 mm)		32 lbs (14.5 kg)
20-077-100, grey	96" Post, 3" x 3"	96" x 3" x 3" (2438 x 76 x 76 mm)	QUANTITIES LIMITED THRU 11-30-05	38 lbs (17.3 kg)
Bases – Horizontal Surface				
60-359-100, grey	Base for 2" x 2" Post	7" x 16" x 16" (178 x 406 x 406 mm)		22 lbs (10 kg)
60-360-100, grey	Base for 3" x 3" Post	7" x 17" x 17" (178 x 432 x 432 mm)		24 lbs (10.9 kg)
90-018	Hardware Kit for concrete surface attachment, (4) stud anchors			1 lbs (.5 kg)
Mounting Kit Brackets – Vertical Surface				
97-012-100, grey	Wall/Bench Mounting Kit for 2" x 2" Post		QUANTITIES LIMITED THRU 11-30-05	2 lbs (.9 kg)
97-011-100, grey	Wall/Bench Mounting Kit for 3" x 3" Post			3 lbs (1.4 kg)
Brackets for Mounting Solutions				
60-363-100, grey	2" x 2" Post Mounting Solutions Bracket	Mounts 100 Series		2 lbs (.9 kg)
60-364-100, grey	2" x 2" Post Mounting Solutions Bracket	Mounts 200, 300, 400 Series, HD Series Pivots, FX75 and FXT75		4 lbs (1.8 kg)
60-153-100, grey	2" x 2" Post Mounting Solutions Bracket	Mounts HD Series Arms	QUANTITIES LIMITED THRU 11-30-05	4 lbs (1.8 kg)
60-365-100, grey	3" x 3" Post Mounting Solutions Bracket	Mounts 100 Series		2 lbs (.9 kg)
60-366-100, grey	3" x 3" Post Mounting Solutions Bracket	Mounts 200, 300, 400 Series, HD Series Pivots, Extenders for 400 Series, FX75 and FXT75		4 lbs (1.8 kg)
60-154-100, grey	3" x 3" Post Mounting Solutions Bracket	Mounts HD Series Arms and Extenders for HD Series Arms		4 lbs (1.8 kg)
Brackets for Peripherals				
60-157-100, grey	2" x 2" Post Peripheral Bracket	Mounts CPU Holders, CPU Cabinet, Peripheral Table and Footrest	QUANTITIES LIMITED THRU 11-30-05	3 lbs (1.4 kg)
60-158-100, grey	3" x 3" Post Peripheral Bracket	Mounts CPU Holders, CPU Cabinet, Peripheral Table and Footrest		3 lbs (1.4 kg)

Note: See "Mounting Options and Uses Table," on the following page, to determine which Post, Base/Bracket and Arm(s) to choose.

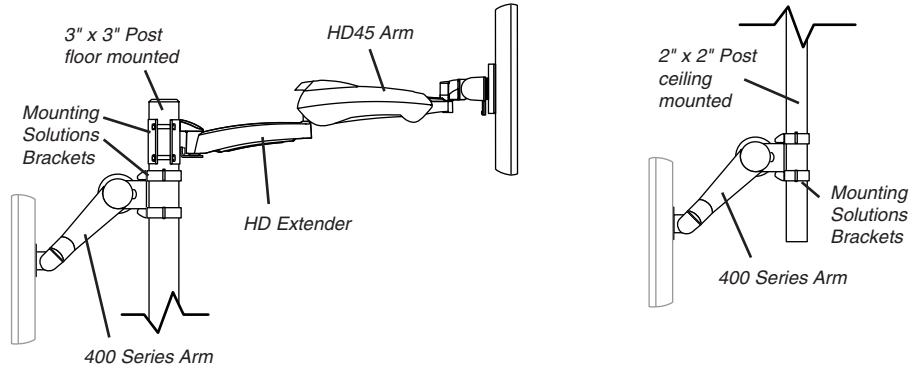
Mounting Options and Uses Table



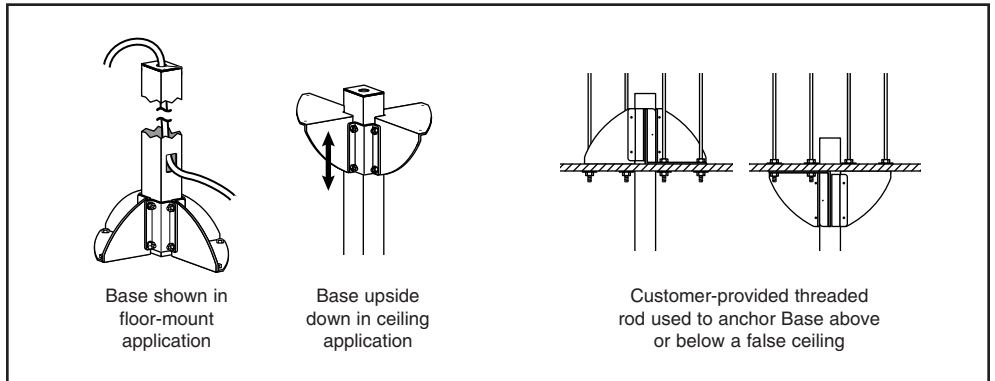
Post Part Number	Dimensions H x W x D	Base/Bracket Part Number	Floor/Ceiling allowable configuration	Wall/Bench/Machine allowable configuration
20-142-100	48" x 2" x 2"	60-359-100/97-012-100	Arm, no Extender	Arm w/ Extender
20-143-100	72" x 2" x 2"	60-359-100/97-012-100	Arm, no Extender	Arm w/ Extender
20-075-100	48" x 3" x 3"	60-360-100/97-011-100	Arm(s) w/ Extender	Arm(s) w/ Extender
20-076-100	80" x 3" x 3"	60-360-100/97-011-100	Arm(s) w/ Extender	Arm(s) w/ Extender
20-077-100	96" x 3" x 3"	60-360-100/97-011-100	Arm(s) w/ Extender	Arm(s) w/ Extender

Configuration Examples

Examples of allowable configurations according to the Mounting Options and Uses Table



Floor vs. Ceiling-Mount Applications



Footrest



QUANTITIES LIMITED thru 11-30-05

85-023-100

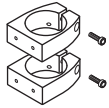
Install a Footrest to the Command Post to provide more ergonomic comfort to the user.

Part Number	Description	Dimensions L x W x H	Weight Capacity	Shipping Weight
85-023-100, grey*	Footrest	14" x 2-1/8" x 2-1/8" (356 x 54 x 54 mm)	200 lbs (90.8 kg)	7 lbs (3.2 kg)

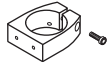
* To attach to Command Post, order either Bracket 60-157-100 or 60-158-100.

Pole Mounts

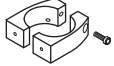
Attach equipment to 2", 1-3/4" or 1-1/2" Round Poles. Use your own pole or choose from the selection below.



60-131-003



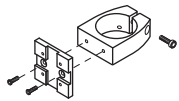
60-144-003



60-199-003



97-089



97-094-xxx



60-347-003



60-420-200



60-423-003

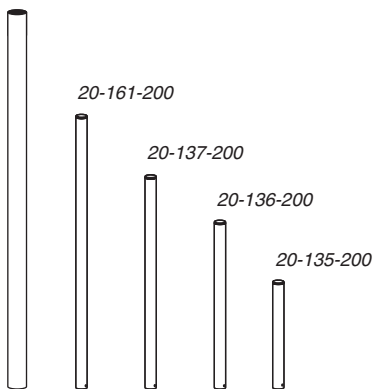


60-382-xxx



60-383-003

20-080



60-349-200



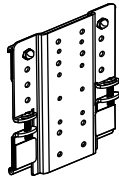
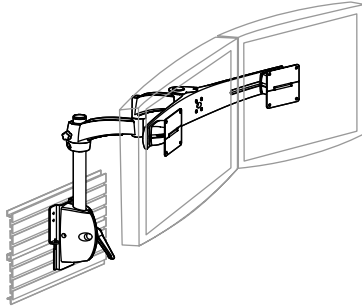
60-350-200

Part Number	Description	Application	Shipping Weight
2" Pole-Mount Brackets			
60-131-003, aluminum	Pole-Mount Brackets (2 Brackets)	200, 300, 400 Series, HD Series Pivots, Extenders, FX75 and FXT75 on vertical 2" Round Pole	2 lbs (.9 kg)
60-144-003, aluminum	Pole-Mount Bracket	CPU Holders, Wire Storage Basket on vertical 2" Round Pole	1 lbs (.5 kg)
60-199-003, aluminum*	Split Pole-Mount Bracket (1 Bracket)—use w/ Pole having no open end	200, 300, 400 Series, HD Series Pivots, Extenders, FX75, FXT75, CPU Holders, and Wire Storage Basket on vertical 2" Round Pole.	2 lbs (.9 kg)
97-089, aluminum	Horizontal Pole-Mount Bracket Kit	200, 300, 400 Series, HD Series Pivots, on horizontal 2" Round Pole	1 lbs (.5 kg)
97-094-099, grey 97-094-085, black	Pole-Mount Bracket Kit for 100 Series	100 Series Pivots on vertical or horizontal 2" Round Pole	2 lbs (.9 kg)
* Order two Brackets for 200, 300, 400 Series, HD Series Pivots, Extenders, FX75 and FXT75 installation.			
1-3/4" Pole-Mount Brackets			
60-347-003, aluminum*	Split Pole-Mount Bracket (1 Bracket)	200, 300, 400 Series, HD Series Pivots, Extenders, FX75, FXT75, CPU Holders and Wire Storage Basket on vertical 1-3/4" Round Pole	2 lbs (.9 kg)
* Order two Brackets for 200, 300, 400 Series, HD Series Pivots, Extenders, FX75 and FXT75 installation.			
1-1/2" Pole-Mount Brackets			
60-420-200, black	Large Clamp. Features adjustment lever for easy height repositioning	200, 300 Series, HD Series Pivots, FX75 and FXT75 on 1-1/2" Round Pole	3 lbs (1.4 kg)
60-423-003, aluminum*	Split Pole-Mount Bracket (1 Bracket)	200, 300, 400 Series, HD Series Pivots, Extenders, FX75, FXT75, CPU Holders and Wire Storage Basket on vertical 1-1/2" Round Pole	2 lbs (.9 kg)
* Order two Brackets for 200, 300, 400 Series, HD Series Pivots, Extenders, FX75 and FXT75 installation.			
Note: 7" Extensions w/ Pole Clamp attaches directly to 1-1/2" Round Poles. No bracket necessary. See 200 Series section (pp.14–19) for product information.			
Adapter Interface Plates			
60-382-099, grey 60-382-085, black	Pivot Mount Plate	Allows mounting of 100 Series to Brackets on 1-1/2" or 2" Round Pole	1 lbs (.5 kg)
60-383-003, aluminum	Arm Mount Plate	Allows mounting of 200, 300, 400 Series to Bracket on horizontal 1-1/2" or 2" Round Pole	1 lbs (.5 kg)
Poles			
20-080, chrome	2" Round Pole, 50"L		7 lbs (3.2 kg)
20-135-200, black	1-1/2" Round Pole, 14"L		2 lbs (.9 kg)
20-136-200, black	1-1/2" Round Pole, 22"L		5 lbs (2.3 kg)
20-137-200, black	1-1/2" Round Pole, 28"L		5 lbs (2.3 kg)
20-161-200, black	1-1/2" Round Pole, 36"L		5 lbs (2.3 kg)
Bases for 1-1/2" Round Poles			
60-349-200, black	Desk Clamp Base for 1-1/2" Round Pole	Worksurface edge ≤ 2-1/8" (54 mm) thick	5 lbs (2.3 kg)
60-350-200, black	Grommet Mount Base for 1-1/2" Round Pole	Worksurface through hole 3/8" to 3" (10 to 76 mm) wide, up to ≤ 4" (102 mm) thick	5 lbs (2.3 kg)

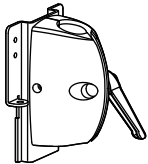
Note: Slatwall Pole Clamps also available. See Slatwall Components section (p.45) for product information.

Slatwall Components

Slatwall Brackets attach 400, 300, 200 and 100 Series Mounting Solutions to slatwall. Slatwall Pole Clamps support a 1-1/2" Round Pole, to which arms may be mounted. Order according to slatwall manufacturers. Standard color is black.



Slatwall Bracket



Slatwall Pole Clamp

Part Number	Description	Shipping Weight
Slatwall Brackets		
60-271-009, black	Woodtronics, Knoll, Infra-structure, Evans, Eurocraft, Teknion, Steelcase, EDP, CBA	2 lbs (.9 kg)
60-272-009, black	Novalink NO LONGER AVAILABLE	2 lbs (.9 kg)
60-274-009, black	Wall Street Trading, LaCOUR NO LONGER AVAILABLE	2 lbs (.9 kg)
60-450-009, black	SBFI NO LONGER AVAILABLE	2 lbs (.9 kg)
60-293-009, black	Herman Miller	2 lbs (.9 kg)
Slatwall Pole Clamps <i>Note: Use with 1-1/2" Round Poles (p.44).</i>		
60-413-200, black	Woodtronics, Knoll, Infra-structure, Evans, Eurocraft, Teknion, Steelcase, EDP, CBA	4 lbs (1.8 kg)
60-415-200, black	LaCOUR	4 lbs (1.8 kg)
60-416-200, black	SBFI NO LONGER AVAILABLE	4 lbs (1.8 kg)
60-417-200, black	Herman Miller NO LONGER AVAILABLE	4 lbs (1.8 kg)

Note: Minimum of 3 slats are required to attach slatwall components.

Sample Configurations

