

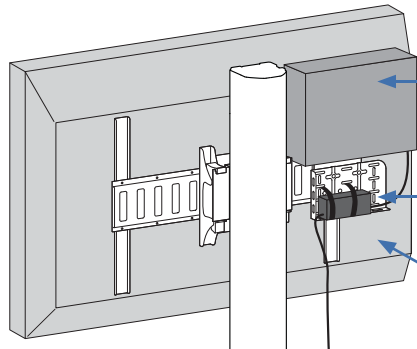
Ergotron® Neo-Flex™

Dimensional &
Range of Motion
Illustrations

MMC VESA-CPU Mount Kit

VESA-CPU Mount Kit
(Compatible with all Neo-Flex Mobile Media Center Carts.)

Weight Capacity



A
LB kg ≤ 7 lbs (3.2 kg)

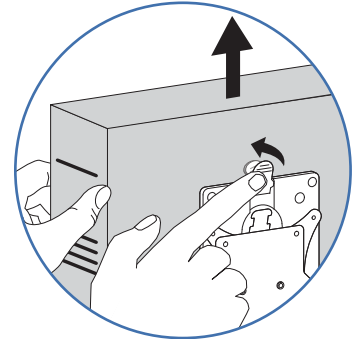
B
LB kg ≤ 3 lbs (1.4 kg)

C
LB kg

A+B+C = LD: 22 - 47 lbs (10 - 21.3 kg)

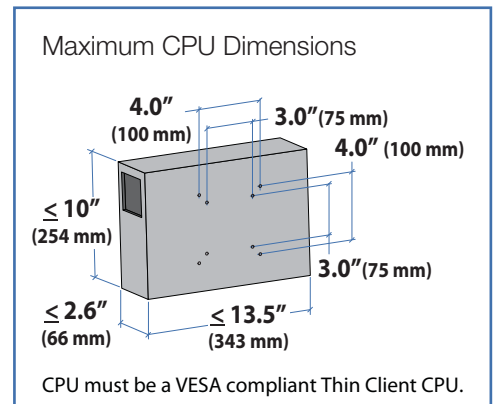
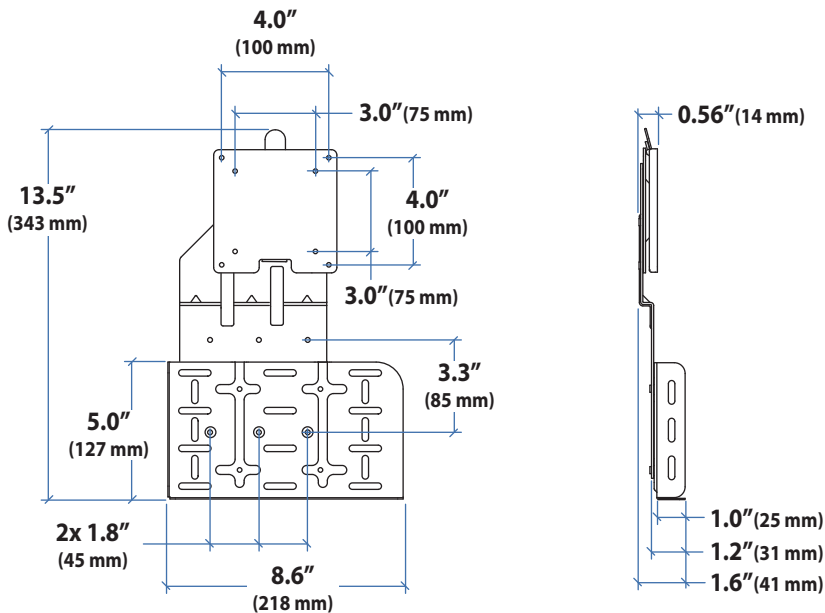
VHD: 47 - 87 lbs (21.3 - 39.5 kg)

UHD: 87 - 117 lbs (39.5 - 53.1 kg)



Quick Release bracket for easy CPU attachment and removal.
(Can be disabled for theft deterrence.)

Dimensions



© 2009 Ergotron, Inc. rev. 09/24/2009 DIM-VESA-CPU-MMC Content is subject to change without notification

Americas Sales and Corporate Headquarters

St. Paul, MN USA
(800) 888-8458
+1-651-681-7600
www.ergotron.com
sales@ergotron.com

EMEA Sales

Amersfoort, The Netherlands
+31 33 45 45 600
www.ergotron.com
info.eu@ergotron.com

APAC Sale

Tokyo, Japan
www.ergotron.com
apaccustomerservice@ergotron.com

Worldwide OEM Sales

www.ergotron.com
info.oem@ergotron.com

