

## Fibox MNX

MNX polycarbonate and ABS enclosures utilize world-class injection moulding technology. They are designed to house and protect all kinds of electrical and electronic components in the most demanding applications. The MNX includes more than 260 different variations.



# MNX



**Wide selection - More than 260 versions**



**Recess area for membranes**



**RoHS compliant and halogen-free**

## Polycarbonate and ABS enclosure

Please ask for Fibox mounting and machining service for terminal blocks and cable glands.

### VERSATILE COVERS

Grey opaque or smoked transparent polycarbonate covers provide a stylish finish to any installed equipment. Tooling may be cost effectively changed to customise covers for volume OEM applications.

### FIBOX MNX PCM

Enclosure features metric knock-outs moulded in place for easy wiring.

SWING PANEL

### FUNCTIONAL COVER SCREWS

The enclosure is supplied with corrosion free plastic cover screws. A wing head screw can be snapped in place for opening without tools. Grey covers are supplied with grey screws. Smoked transparent covers are supplied with black screws.

### HINGED INNER PANEL

For instrumentation mounting, aluminum inner panels can be hinged right or left. Unique brackets allow mounting in either base or cover. The brackets permit mounting at variable depths.

### RUGGED HINGE

An optional corrosion free hinge is available. Mounted on the outside, fixing screws are hidden by decorative covers.

### MEMBRANE KEYBOARD RECESS

The cover features a slightly recessed area ideal for overlays and membrane key pads. Special cover available for sizes 150 and 175.



# MNX PC/ABS 95L

100 x 100

PC: IP 66/IP 67, IK 08  
ABS: IP 66/IP 67, IK 07

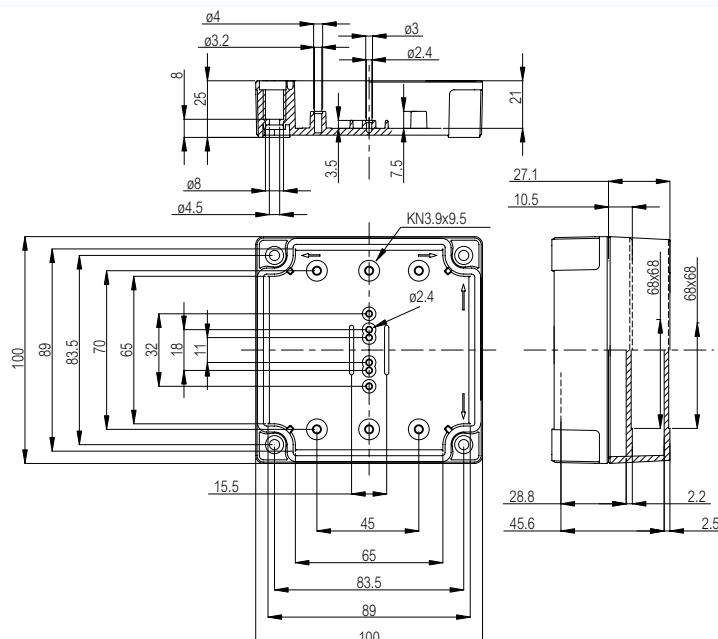
Including: Base with PUR gasket, screws for mounting plate/DIN-rail and cover with polyamide cover screws.

## Enclosures

Order symbol	Code	Dimensions	Description
PC 95/35 LG	6012331	100 x 100 x 35	Enclosure, PC ▪ Grey cover
PC 95/50 LG	6012332	100 x 100 x 50	Enclosure, PC ▪ Grey cover
PC 95/35 LT	6012931	100 x 100 x 35	Enclosure, PC ▪ Smoked transparent cover
PC 95/50 LT	6012932	100 x 100 x 50	Enclosure, PC ▪ Smoked transparent cover
ABS 95/35 LG	6082331	100 x 100 x 35	Enclosure, ABS ▪ Grey cover
ABS 95/50 LG	6082332	100 x 100 x 50	Enclosure, ABS ▪ Grey cover
ABS 95/35 LT	6082931	100 x 100 x 35	Enclosure, ABS ▪ Smoked transparent cover
ABS 95/50 LT	6082932	100 x 100 x 50	Enclosure, ABS ▪ Smoked transparent cover

## Accessories

Order symbol	Code	Dimensions	Description
MIV 95	5514583	66 x 80	Mounting plate (Galvanized steel)
MIN 8	6314584	15 x 80	DIN-15 Mounting rail
B-3	8524030	35 x 80	DIN-35 Mounting rail
FP 22046	8522346		Wall fastening lug (4 pcs) ▪ incl. screws



# MNX PC/ABS 95H

100 x 100

PC: IP 66/IP 67, IK 08  
ABS: IP 66/IP 67, IK 07

Including: Base with PUR gasket, screws for mounting plate/DIN-rail and cover with polyamide cover screws.

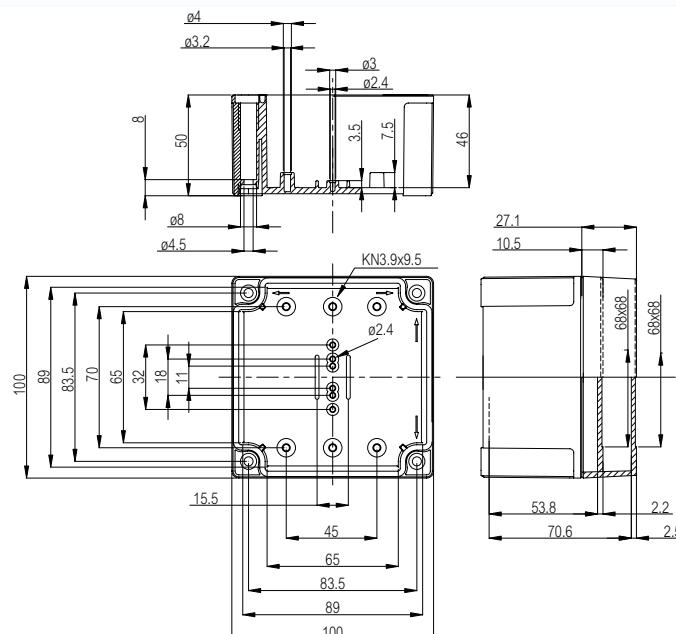


## Enclosures

Order symbol	Code	Dimensions	Description
PC 95/60 HG	6011331	100 x 100 x 60	Enclosure, PC • Grey cover
PC 95/75 HG	6011332	100 x 100 x 75	Enclosure, PC • Grey cover
PC 95/60 HT	6011931	100 x 100 x 60	Enclosure, PC • Smoked transparent cover
PC 95/75 HT	6011932	100 x 100 x 75	Enclosure, PC • Smoked transparent cover
ABS 95/60 HG	6081331	100 x 100 x 60	Enclosure, ABS • Grey cover
ABS 95/75 HG	6081332	100 x 100 x 75	Enclosure, ABS • Grey cover
ABS 95/60 HT	6081931	100 x 100 x 60	Enclosure, ABS • Smoked transparent cover
ABS 95/75 HT	6081932	100 x 100 x 75	Enclosure, ABS • Smoked transparent cover

## Accessories

Order symbol	Code	Dimensions	Description
MIV 95	5514583	66 x 80	Mounting plate (Galvanized steel)
MIN 8	6314584	15 x 80	DIN-15 Mounting rail
B-3	8524030	35 x 80	DIN-35 Mounting rail
FP 22046	8522346		Wall fastening lug (4 pcs) • incl. screws





# MNX PC/ABS 100L

130 x 80

PC: IP 66/IP 67, IK 08  
ABS: IP 66/IP 67, IK 07

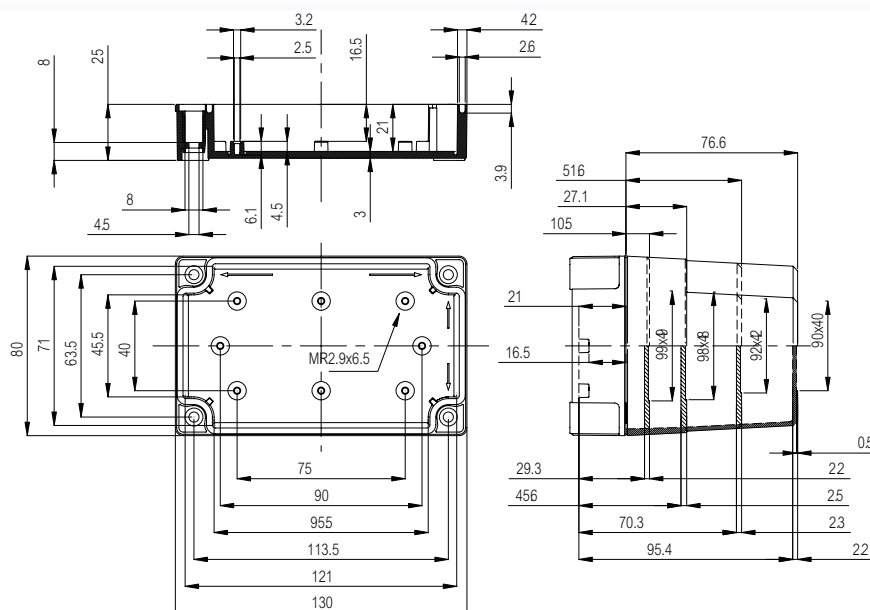
Including: Base with TPE gasket, screws for mounting plate/DIN-rail and cover with polyamide cover screws.

## Enclosures

Order symbol	Code	Dimensions	Description
PC 100/35 LG	6012301	130 x 80 x 35	Enclosure, PC • Grey cover
PC 100/50 LG	6012302	130 x 80 x 50	Enclosure, PC • Grey cover
PC 100/75 LG	6012303	130 x 80 x 75	Enclosure, PC • Grey cover
PC 100/100 LG	6012304	130 x 80 x 100	Enclosure, PC • Grey cover
PC 100/35 LT	6012901	130 x 80 x 35	Enclosure, PC • Smoked transparent cover
PC 100/50 LT	6012902	130 x 80 x 50	Enclosure, PC • Smoked transparent cover
PC 100/75 LT	6012903	130 x 80 x 75	Enclosure, PC • Smoked transparent cover
PC 100/100 LT	6012904	130 x 80 x 100	Enclosure, PC • Smoked transparent cover
ABS 100/35 LG	6082301	130 x 80 x 35	Enclosure, ABS • Grey cover
ABS 100/50 LG	6082302	130 x 80 x 50	Enclosure, ABS • Grey cover
ABS 100/75 LG	6082303	130 x 80 x 75	Enclosure, ABS • Grey cover
ABS 100/100 LG	6082304	130 x 80 x 100	Enclosure, ABS • Grey cover
ABS 100/35 LT	6082901	130 x 80 x 35	Enclosure, ABS • Smoked transparent cover
ABS 100/50 LT	6082902	130 x 80 x 50	Enclosure, ABS • Smoked transparent cover
ABS 100/75 LT	6082903	130 x 80 x 75	Enclosure, ABS • Smoked transparent cover
ABS 100/100 LT	6082904	130 x 80 x 100	Enclosure, ABS • Smoked transparent cover

## Accessories

Order symbol	Code	Dimensions	Description
MIV 100	5514076	98 x 48	Mounting plate (Galvanized steel)
MIN 5	6314575	15 x 50	DIN-15 Mounting rail
MIN 10	6314576	15 x 100	DIN-15 Mounting rail
MIV 5	5514081	35 x 50	DIN-35 Mounting rail
MIV 10	5514082	35 x 100	DIN-35 Mounting rail
FP A 100/130	6314570	120 x 62	Front plate (Aluminium)
HFP 130	6314563		Front plate hinge series for FP A 100-125 • (2 pcs) incl. screws
FP 22046	8522346		Wall fastening lug (4 pcs) • incl. screws



# MNX PC/ABS 100H

130 x 80

PC: IP 66/IP 67, IK 08  
ABS: IP 66/IP 67, IK 07



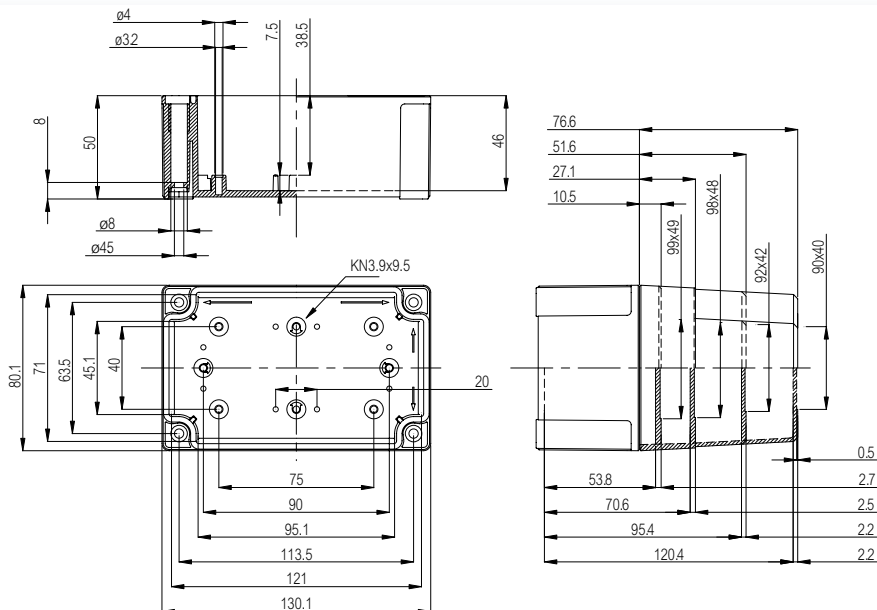
Including: Base with TPE gasket, screws for mounting plate/DIN-rail and cover with polyamide cover screws.

## Enclosures

Order symbol	Code	Dimensions	Description
PC 100/60 HG	6011301	130 x 80 x 60	Enclosure, PC • Grey cover
PC 100/75 HG	6011302	130 x 80 x 75	Enclosure, PC • Grey cover
PC 100/100 HG	6011303	130 x 80 x 100	Enclosure, PC • Grey cover
PC 100/125 HG	6011304	130 x 80 x 125	Enclosure, PC • Grey cover
PC 100/60 HT	6011901	130 x 80 x 60	Enclosure, PC • Smoked transparent cover
PC 100/75 HT	6011902	130 x 80 x 75	Enclosure, PC • Smoked transparent cover
PC 100/100 HT	6011903	130 x 80 x 100	Enclosure, PC • Smoked transparent cover
PC 100/125 HT	6011904	130 x 80 x 125	Enclosure, PC • Smoked transparent cover
ABS 100/60 HG	6081301	130 x 80 x 60	Enclosure, ABS • Grey cover
ABS 100/75 HG	6081302	130 x 80 x 75	Enclosure, ABS • Grey cover
ABS 100/100 HG	6081303	130 x 80 x 100	Enclosure, ABS • Grey cover
ABS 100/125 HG	6081304	130 x 80 x 125	Enclosure, ABS • Grey cover
ABS 100/60 HT	6081901	130 x 80 x 60	Enclosure, ABS • Smoked transparent cover
ABS 100/75 HT	6081902	130 x 80 x 75	Enclosure, ABS • Smoked transparent cover
ABS 100/100 HT	6081903	130 x 80 x 100	Enclosure, ABS • Smoked transparent cover
ABS 100/125 HT	6081904	130 x 80 x 125	Enclosure, ABS • Smoked transparent cover

## Accessories

Order symbol	Code	Dimensions	Description
MIV 100	5514076	98 x 48	Mounting plate (Galvanized steel)
MIN 5	6314575	15 x 50	DIN-15 Mounting rail
MIN 10	6314576	15 x 100	DIN-15 Mounting rail
MIV 5	5514081	35 x 50	DIN-35 Mounting rail
MIV 10	5514082	35 x 100	DIN-35 Mounting rail
FP A 100/130	6314570	120 x 62	Front plate (Aluminium)
HFP 130	6314563		Front plate hinge series for FP A 100-125 • (2 pcs) incl. screws
FP 22046	8522346		Wall fastening lug (4 pcs) • incl. screws





# MNX PC/ABS 125L

130 x 130

PC: IP 66/IP 67, IK 08  
ABS: IP 66/IP 67, IK 07

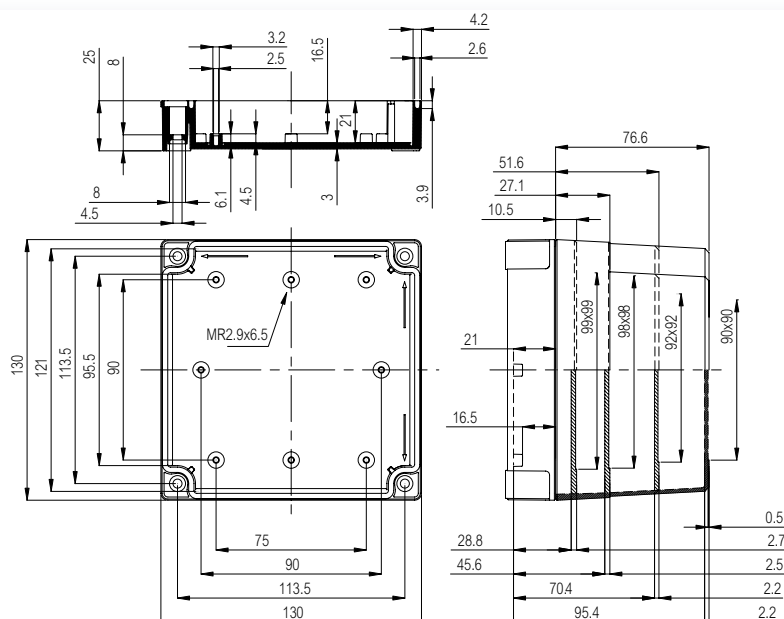
Including: Base with TPE gasket, screws for mounting plate/DIN-rail and cover with polyamide cover screws.

## Enclosures

Order symbol	Code	Dimensions	Description
PC 125/35 LG	6012307	130 x 130 x 35	Enclosure, PC • Grey cover
PC 125/50 LG	6012308	130 x 130 x 50	Enclosure, PC • Grey cover
PC 125/75 LG	6012309	130 x 130 x 75	Enclosure, PC • Grey cover
PC 125/100 LG	6012310	130 x 130 x 100	Enclosure, PC • Grey cover
PC 125/35 LT	6012907	130 x 130 x 35	Enclosure, PC • Smoked transparent cover
PC 125/50 LT	6012908	130 x 130 x 50	Enclosure, PC • Smoked transparent cover
PC 125/75 LT	6012909	130 x 130 x 75	Enclosure, PC • Smoked transparent cover
PC 125/100 LT	6012910	130 x 130 x 100	Enclosure, PC • Smoked transparent cover
ABS 125/35 LG	6082307	130 x 130 x 35	Enclosure, ABS • Grey cover
ABS 125/50 LG	6082308	130 x 130 x 50	Enclosure, ABS • Grey cover
ABS 125/75 LG	6082309	130 x 130 x 75	Enclosure, ABS • Grey cover
ABS 125/100 LG	6082310	130 x 130 x 100	Enclosure, ABS • Grey cover
ABS 125/35 LT	6082907	130 x 130 x 35	Enclosure, ABS • Smoked transparent cover
ABS 125/50 LT	6082908	130 x 130 x 50	Enclosure, ABS • Smoked transparent cover
ABS 125/75 LT	6082909	130 x 130 x 75	Enclosure, ABS • Smoked transparent cover
ABS 125/100 LT	6082910	130 x 130 x 100	Enclosure, ABS • Smoked transparent cover

## Accessories

Order symbol	Code	Dimensions	Description
MIV 125	5514077	98 x 98	Mounting plate (Galvanized steel)
MIN 10	6314576	15 x 100	DIN-15 Mounting rail
MIV 10	5514082	35 x 100	DIN-35 Mounting rail
FP A 125/130	6314571	120 x 112	Front plate (Aluminium)
HFP 130	6314563		Front plate hinge series for FP A 100-125 • (2 pcs) incl. screws
FP 22046	8522346		Wall fastening lug (4 pcs) • incl. screws



# MNX

## PC/ABS 125H

130 x 130

PC: IP 66/IP 67, IK 08  
 ABS: IP 66/IP 67, IK 07



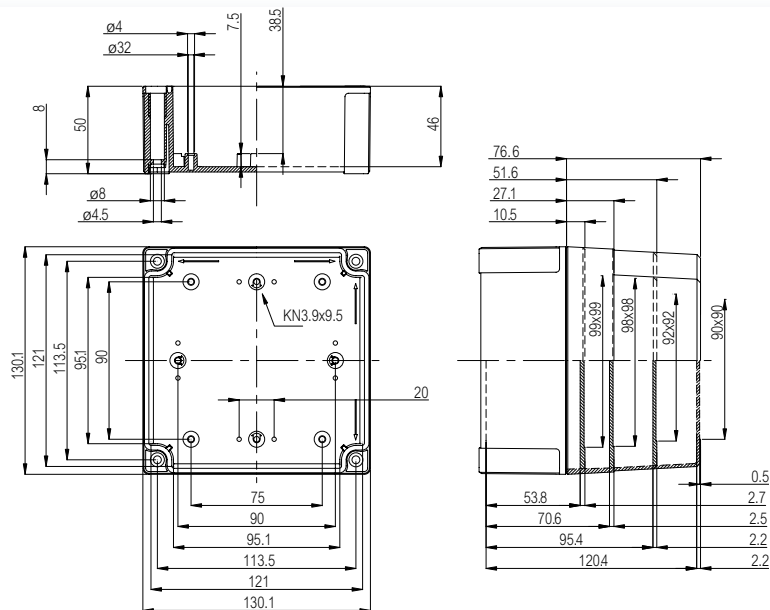
Including: Base with TPE gasket, screws for mounting plate/DIN-rail and cover with polyamide cover screws.

### Enclosures

Order symbol	Code	Dimensions	Description
PC 125/60 HG	6011307	130 x 130 x 60	Enclosure, PC • Grey cover
PC 125/75 HG	6011308	130 x 130 x 75	Enclosure, PC • Grey cover
PC 125/100 HG	6011309	130 x 130 x 100	Enclosure, PC • Grey cover
PC 125/125 HG	6011310	130 x 130 x 125	Enclosure, PC • Grey cover
PC 125/60 HT	6011907	130 x 130 x 60	Enclosure, PC • Smoked transparent cover
PC 125/75 HT	6011908	130 x 130 x 75	Enclosure, PC • Smoked transparent cover
PC 125/100 HT	6011909	130 x 130 x 100	Enclosure, PC • Smoked transparent cover
PC 125/125 HT	6011910	130 x 130 x 125	Enclosure, PC • Smoked transparent cover
ABS 125/60 HG	6081307	130 x 130 x 60	Enclosure, ABS • Grey cover
ABS 125/75 HG	6081308	130 x 130 x 75	Enclosure, ABS • Grey cover
ABS 125/100 HG	6081309	130 x 130 x 100	Enclosure, ABS • Grey cover
ABS 125/125 HG	6081310	130 x 130 x 125	Enclosure, ABS • Grey cover
ABS 125/60 HT	6081907	130 x 130 x 60	Enclosure, ABS • Smoked transparent cover
ABS 125/75 HT	6081908	130 x 130 x 75	Enclosure, ABS • Smoked transparent cover
ABS 125/100 HT	6081909	130 x 130 x 100	Enclosure, ABS • Smoked transparent cover
ABS 125/125 HT	6081910	130 x 130 x 125	Enclosure, ABS • Smoked transparent cover

### Accessories

Order symbol	Code	Dimensions	Description
MIV 125	5514077	98 x 98	Mounting plate (Galvanized steel)
MIN 10	6314576	15 x 100	DIN-15 Mounting rail
MIV 10	5514082	35 x 100	DIN-35 Mounting rail
FP A 125/130	6314571	120 x 112	Front plate (Aluminium)
HFP 130	6314563		Front plate hinge series for FP A 100-125 • (2 pcs) incl. screws
FP 22046	8522346		Wall fastening lug (4 pcs) • incl. screws







# MNX PC/ABS 150L

180 x 130

PC: IP 66/IP 67, IK 08  
ABS: IP 66/IP 67, IK 07

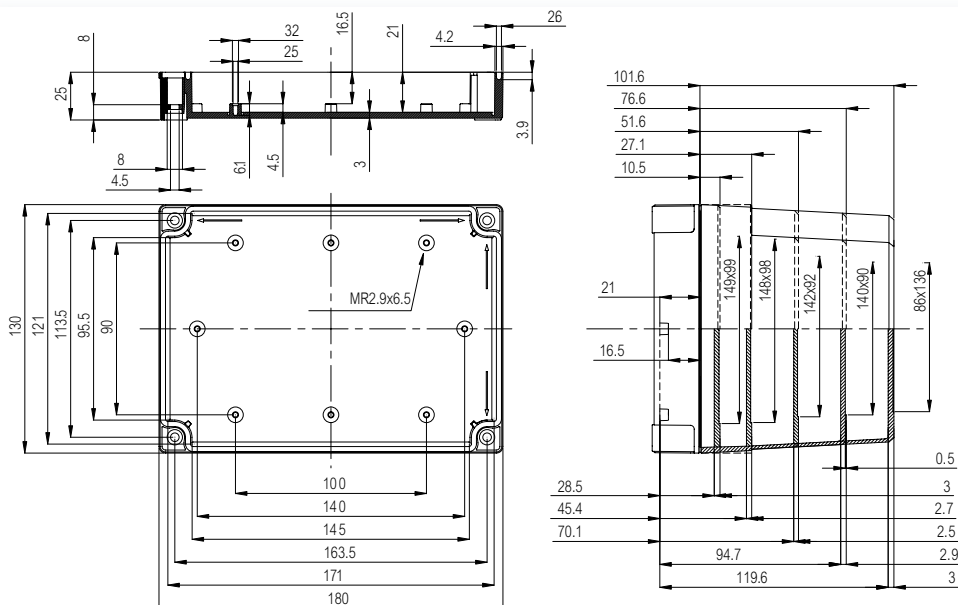
Including: Base with TPE gasket, screws for mounting plate/DIN-rail and cover with polyamide cover screws.

## Enclosures

Order symbol	Code	Dimensions	Description
PC 150/35 LG	6012313	180 x 130 x 35	Enclosure, PC • Grey cover
PC 150/50 LG	6012314	180 x 130 x 50	Enclosure, PC • Grey cover
PC 150/75 LG	6012315	180 x 130 x 75	Enclosure, PC • Grey cover
PC 150/100 LG	6012316	180 x 130 x 100	Enclosure, PC • Grey cover
PC 150/125 LG	6012317	180 x 130 x 125	Enclosure, PC • Grey cover
PC 150/35 LT	6012913	180 x 130 x 35	Enclosure, PC • Smoked transparent cover
PC 150/50 LT	6012914	180 x 130 x 50	Enclosure, PC • Smoked transparent cover
PC 150/75 LT	6012915	180 x 130 x 75	Enclosure, PC • Smoked transparent cover
PC 150/100 LT	6012916	180 x 130 x 100	Enclosure, PC • Smoked transparent cover
PC 150/125 LT	6012917	180 x 130 x 125	Enclosure, PC • Smoked transparent cover
ABS 150/35 LG	6082313	180 x 130 x 35	Enclosure, ABS • Grey cover
ABS 150/50 LG	6082314	180 x 130 x 50	Enclosure, ABS • Grey cover
ABS 150/75 LG	6082315	180 x 130 x 75	Enclosure, ABS • Grey cover
ABS 150/100 LG	6082316	180 x 130 x 100	Enclosure, ABS • Grey cover
ABS 150/125 LG	6082317	180 x 130 x 125	Enclosure, ABS • Grey cover
ABS 150/35 LT	6082913	180 x 130 x 35	Enclosure, ABS • Smoked transparent cover
ABS 150/50 LT	6082914	180 x 130 x 50	Enclosure, ABS • Smoked transparent cover
ABS 150/75 LT	6082915	180 x 130 x 75	Enclosure, ABS • Smoked transparent cover
ABS 150/100 LT	6082916	180 x 130 x 100	Enclosure, ABS • Smoked transparent cover
ABS 150/125 LT	6082917	180 x 130 x 125	Enclosure, ABS • Smoked transparent cover

## Accessories

Order symbol	Code	Dimensions	Description
MIV 150	5514078	148 x 98	Mounting plate (Galvanized steel)
MIN 10	6314576	15 x 100	DIN-15 Mounting rail
MIN 15	6314577	15 x 150	DIN-15 Mounting rail
MIV 10	5514082	35 x 100	DIN-35 Mounting rail
MIV 15	5514083	35 x 150	DIN-35 Mounting rail
FP A 150/180	6314572	170 x 112	Front plate (Aluminium)
HFP 180	6314564		Front plate hinge series for FP A 150-200 • (2 pcs) incl. screws
FP 22046	8522346		Wall fastening lug (4 pcs) • incl. screws



# MNX PC/ABS 150H

180 x 130

PC: IP 66/IP 67, IK 08  
ABS: IP 66/IP 67, IK 07



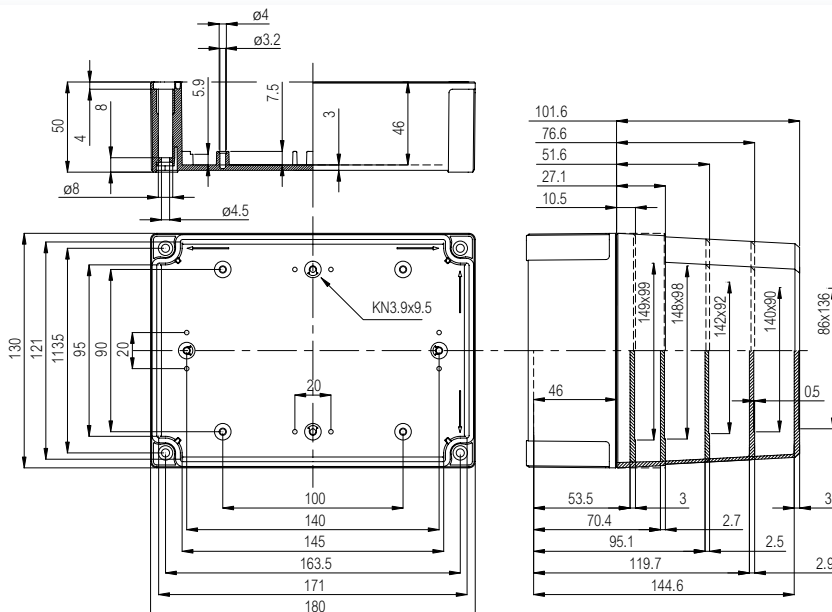
Including: Base with TPE gasket, screws for mounting plate/DIN-rail and cover with polyamide cover screws.

## Enclosures

Order symbol	Code	Dimensions	Description
PC 150/60 HG	6011313	180 x 130 x 60	Enclosure, PC • Grey cover
PC 150/60 HF	6011813	180 x 130 x 60	Enclosure, PC • Grey membrane cover
PC 150/75 HG	6011314	180 x 130 x 75	Enclosure, PC • Grey cover
PC 150/100 HG	6011315	180 x 130 x 100	Enclosure, PC • Grey cover
PC 150/125 HG	6011316	180 x 130 x 125	Enclosure, PC • Grey cover
PC 150/150 HG	6011317	180 x 130 x 150	Enclosure, PC • Grey cover
PC 150/60 HT	6011913	180 x 130 x 60	Enclosure, PC • Smoked transparent cover
PC 150/75 HT	6011914	180 x 130 x 75	Enclosure, PC • Smoked transparent cover
PC 150/100 HT	6011915	180 x 130 x 100	Enclosure, PC • Smoked transparent cover
PC 150/125 HT	6011916	180 x 130 x 125	Enclosure, PC • Smoked transparent cover
PC 150/150 HT	6011917	180 x 130 x 150	Enclosure, PC • Smoked transparent cover
ABS 150/60 HG	6081313	180 x 130 x 60	Enclosure, ABS • Grey cover
ABS 150/75 HG	6081314	180 x 130 x 75	Enclosure, ABS • Grey cover
ABS 150/100 HG	6081315	180 x 130 x 100	Enclosure, ABS • Grey cover
ABS 150/125 HG	6081316	180 x 130 x 125	Enclosure, ABS • Grey cover
ABS 150/150 HG	6081317	180 x 130 x 150	Enclosure, ABS • Grey cover
ABS 150/60 HT	6081913	180 x 130 x 60	Enclosure, ABS • Smoked transparent cover
ABS 150/75 HT	6081914	180 x 130 x 75	Enclosure, ABS • Smoked transparent cover
ABS 150/100 HT	6081915	180 x 130 x 100	Enclosure, ABS • Smoked transparent cover
ABS 150/125 HT	6081916	180 x 130 x 125	Enclosure, ABS • Smoked transparent cover
ABS 150/150 HT	6081917	180 x 130 x 150	Enclosure, ABS • Smoked transparent cover

## Accessories

Order symbol	Code	Dimensions	Description
MIV 150	5514078	148 x 98	Mounting plate (Galvanized steel)
MIN 10	6314576	15 x 100	DIN-15 Mounting rail
MIN 15	6314577	15 x 150	DIN-15 Mounting rail
MIV 10	5514082	35 x 100	DIN-35 Mounting rail
MIV 15	5514083	35 x 150	DIN-35 Mounting rail
FP A 150/180	6314572	170 x 112	Front plate (Aluminium)
HFP 180	6314564		Front plate hinge series for FP A 150-200 • (2 pcs) incl. screws
FP 22046	8522346		Wall fastening lug (4 pcs) • incl. screws





# MNX PC/ABS 150XH

180 x 130

PC: IP 66/IP 67, IK 08  
ABS: IP 66/IP 67, IK 07

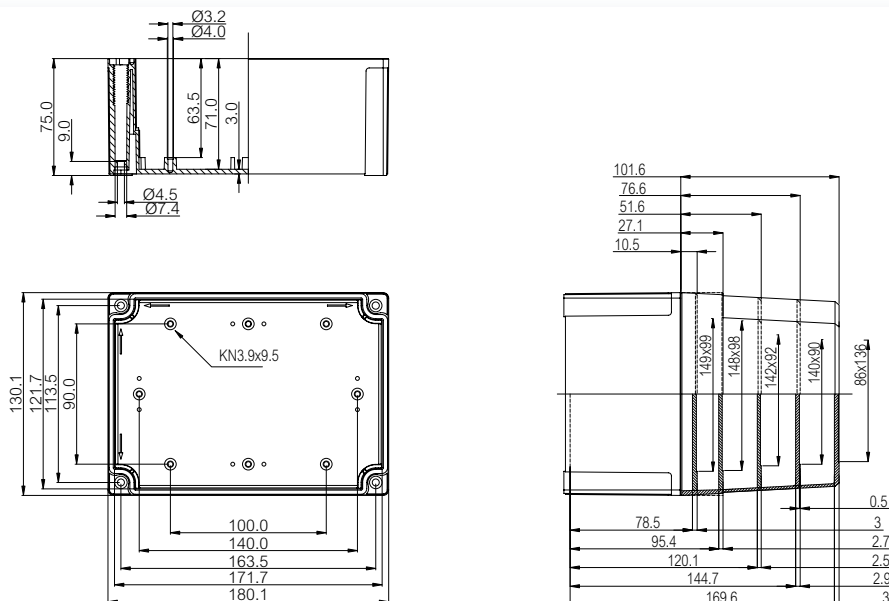
Including: Base with PUR gasket, screws for mounting plate/DIN-rail and cover with polyamide cover screws.

## Enclosures

Order symbol	Code	Dimensions	Description
PC 150/85 XHG	6013333	180 x 130 x 85	Enclosure, PC ▪ Grey cover
PC 150/85 XHF	6013833	180 x 130 x 85	Enclosure, PC ▪ Grey membrane cover
PC 150/100 XHG	6013334	180 x 130 x 100	Enclosure, PC ▪ Grey cover
PC 150/125 XHG	6013335	180 x 130 x 125	Enclosure, PC ▪ Grey cover
PC 150/150 XHG	6013336	180 x 130 x 150	Enclosure, PC ▪ Grey cover
PC 150/175 XHG	6013337	180 x 130 x 175	Enclosure, PC ▪ Grey cover
PC 150/85 XHT	6013933	180 x 130 x 85	Enclosure, PC ▪ Smoked transparent cover
PC 150/100 XHT	6013934	180 x 130 x 100	Enclosure, PC ▪ Smoked transparent cover
PC 150/125 XHT	6013935	180 x 130 x 125	Enclosure, PC ▪ Smoked transparent cover
PC 150/150 XHT	6013936	180 x 130 x 150	Enclosure, PC ▪ Smoked transparent cover
PC 150/175 XHT	6013937	180 x 130 x 175	Enclosure, PC ▪ Smoked transparent cover
ABS 150/85 XHG	6083333	180 x 130 x 85	Enclosure, ABS ▪ Grey cover
ABS 150/100 XHG	6083334	180 x 130 x 100	Enclosure, ABS ▪ Grey cover
ABS 150/125 XHG	6083335	180 x 130 x 125	Enclosure, ABS ▪ Grey cover
ABS 150/150 XHG	6083336	180 x 130 x 150	Enclosure, ABS ▪ Grey cover
ABS 150/175 XHG	6083337	180 x 130 x 175	Enclosure, ABS ▪ Grey cover
ABS 150/85 XHT	6083933	180 x 130 x 85	Enclosure, ABS ▪ Smoked transparent cover
ABS 150/100 XHT	6083934	180 x 130 x 100	Enclosure, ABS ▪ Smoked transparent cover
ABS 150/125 XHT	6083935	180 x 130 x 125	Enclosure, ABS ▪ Smoked transparent cover
ABS 150/150 XHT	6083936	180 x 130 x 150	Enclosure, ABS ▪ Smoked transparent cover
ABS 150/175 XHT	6083937	180 x 130 x 175	Enclosure, ABS ▪ Smoked transparent cover

## Accessories

Order symbol	Code	Dimensions	Description
MIV 150	5514078	148 x 98	Mounting plate (Galvanized steel)
MIN 10	6314576	15 x 100	DIN-15 Mounting rail
MIN 15	6314577	15 x 150	DIN-15 Mounting rail
MIV 10	5514082	35 x 100	DIN-35 Mounting rail
MIV 15	5514083	35 x 150	DIN-35 Mounting rail
FP A 150/180	6314572	170 x 112	Front plate (Aluminium)
HFP 180	6314564		Front plate hinge series for FP A 150-200 ▪ (2 pcs) incl. screws
FP 22046	8522346		Wall fastening lug (4 pcs) ▪ incl. screws



# MNX PC/ABS 175H

180 x 180

PC: IP 66/IP 67, IK 08  
ABS: IP 66/IP 67, IK 07



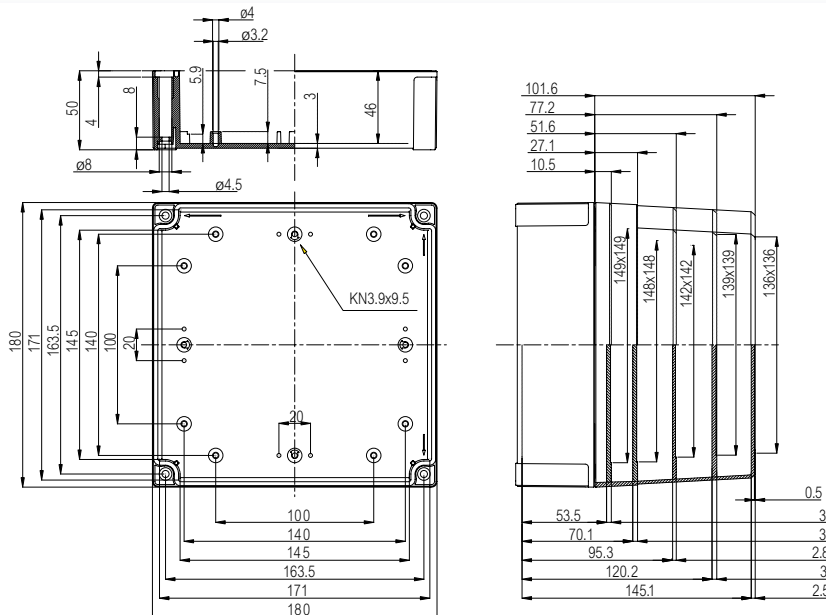
Including: Base with TPE gasket, screws for mounting plate/DIN-rail and cover with polyamide cover screws.

## Enclosures

Order symbol	Code	Dimensions	Description
PC 175/60 HG	6011319	180 x 180 x 60	Enclosure, PC • Grey cover
PC 175/75 HG	6011320	180 x 180 x 75	Enclosure, PC • Grey cover
PC 175/100 HG	6011321	180 x 180 x 100	Enclosure, PC • Grey cover
PC 175/125 HG	6011322	180 x 180 x 125	Enclosure, PC • Grey cover
PC 175/150 HG	6011323	180 x 180 x 150	Enclosure, PC • Grey cover
PC 175/60 HT	6011919	180 x 180 x 60	Enclosure, PC • Smoked transparent cover
PC 175/75 HT	6011920	180 x 180 x 75	Enclosure, PC • Smoked transparent cover
PC 175/100 HT	6011921	180 x 180 x 100	Enclosure, PC • Smoked transparent cover
PC 175/125 HT	6011922	180 x 180 x 125	Enclosure, PC • Smoked transparent cover
PC 175/150 HT	6011923	180 x 180 x 150	Enclosure, PC • Smoked transparent cover
ABS 175/60 HG	6081319	180 x 180 x 60	Enclosure, ABS • Grey cover
ABS 175/75 HG	6081320	180 x 180 x 75	Enclosure, ABS • Grey cover
ABS 175/100 HG	6081321	180 x 180 x 100	Enclosure, ABS • Grey cover
ABS 175/125 HG	6081322	180 x 180 x 125	Enclosure, ABS • Grey cover
ABS 175/150 HG	6081323	180 x 180 x 150	Enclosure, ABS • Grey cover
ABS 175/60 HT	6081919	180 x 180 x 60	Enclosure, ABS • Smoked transparent cover
ABS 175/75 HT	6081920	180 x 180 x 75	Enclosure, ABS • Smoked transparent cover
ABS 175/100 HT	6081921	180 x 180 x 100	Enclosure, ABS • Smoked transparent cover
ABS 175/125 HT	6081922	180 x 180 x 125	Enclosure, ABS • Smoked transparent cover
ABS 175/150 HT	6081923	180 x 180 x 150	Enclosure, ABS • Smoked transparent cover

## Accessories

Order symbol	Code	Dimensions	Description
MIV 175	5514079	148 x 148	Mounting plate (Galvanized steel)
MIN 15	6314577	15 x 150	DIN-15 Mounting rail
MIV 15	5514083	35 x 150	DIN-35 Mounting rail
FP A 175/180	6314573	170 x 162	Front plate (Aluminium)
HFP 180	6314564		Front plate hinge series for FP A 150-200 • (2 pcs) incl. screws
FP 22046	8522346		Wall fastening lug (4 pcs) • incl. screws





# MNX PC/ABS 200H

255 x 180

PC: IP 66/IP 67, IK 08  
ABS: IP 66/IP 67, IK 07

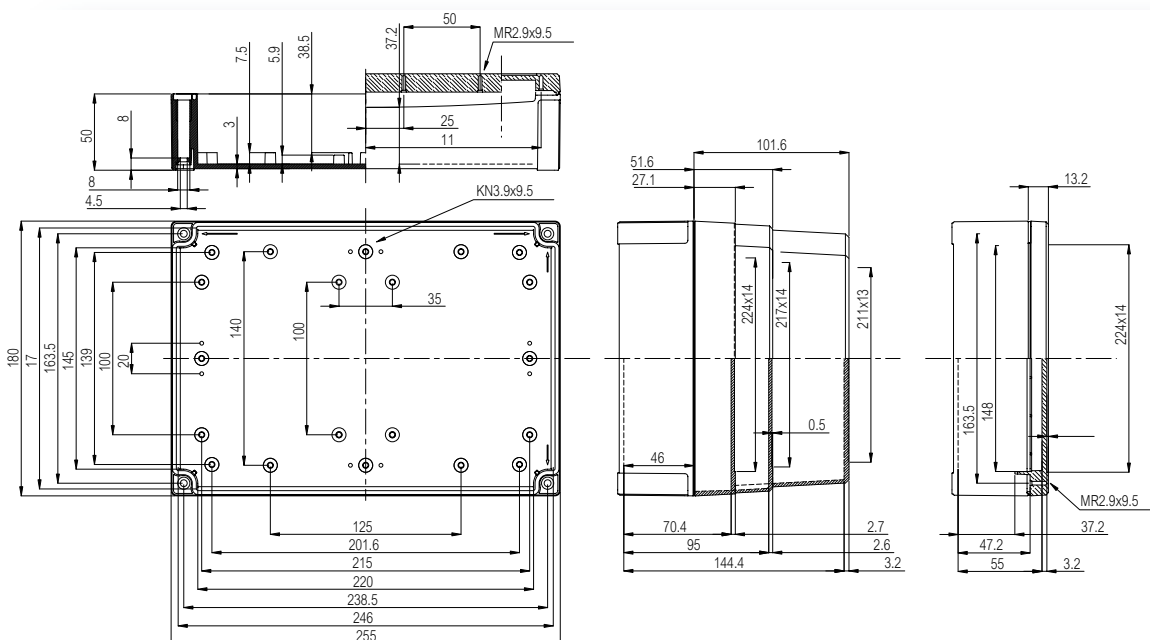
Including: Base with TPE gasket, screws for mounting plate/DIN-rail and cover with polyamide cover screws.

## Enclosures

Order symbol	Code	Dimensions	Description
PC 200/63 HG	6011324	255 x 180 x 63	Enclosure, PC • Grey cover
PC 200/75 HG	6011326	255 x 180 x 75	Enclosure, PC • Grey cover
PC 200/100 HG	6011327	255 x 180 x 100	Enclosure, PC • Grey cover
PC 200/150 HG	6011329	255 x 180 x 150	Enclosure, PC • Grey cover
PC 200/63 HT	6011924	255 x 180 x 63	Enclosure, PC • Smoked transparent cover
PC 200/75 HT	6011926	255 x 180 x 75	Enclosure, PC • Smoked transparent cover
PC 200/100 HT	6011927	255 x 180 x 100	Enclosure, PC • Smoked transparent cover
PC 200/150 HT	6011929	255 x 180 x 150	Enclosure, PC • Smoked transparent cover
ABS 200/63 HG	6081324	255 x 180 x 63	Enclosure, ABS • Grey cover
ABS 200/75 HG	6081326	255 x 180 x 75	Enclosure, ABS • Grey cover
ABS 200/100 HG	6081327	255 x 180 x 100	Enclosure, ABS • Grey cover
ABS 200/150 HG	6081329	255 x 180 x 150	Enclosure, ABS • Grey cover
ABS 200/63 HT	6081924	255 x 180 x 63	Enclosure, ABS • Smoked transparent cover
ABS 200/75 HT	6081926	255 x 180 x 75	Enclosure, ABS • Smoked transparent cover
ABS 200/100 HT	6081927	255 x 180 x 100	Enclosure, ABS • Smoked transparent cover
ABS 200/150 HT	6081929	255 x 180 x 150	Enclosure, ABS • Smoked transparent cover

## Accessories

Order symbol	Code	Dimensions	Description
MIV 200	5514080	223 x 148	Mounting plate (Galvanized steel)
MIN 15	6314577	15 x 150	DIN-15 Mounting rail
MIN 20	6314578	15 x 225	DIN-15 Mounting rail
MIV 15	5514083	35 x 150	DIN-35 Mounting rail
MIV 20	5514084	35 x 225	DIN-35 Mounting rail
FP A 200/180	6314574	237 x 170	Front plate (Aluminium)
HFP 180	6314564		Front plate hinge series for FP A 150-200 • (2 pcs) incl. screws
FP 22046	8522346		Wall fastening lug (4 pcs) • incl. screws



# MNX

## PC/ABS 200XH

255 x 180

PC: IP 66/IP 67, IK 08  
ABS: IP 66/IP 67, IK 07



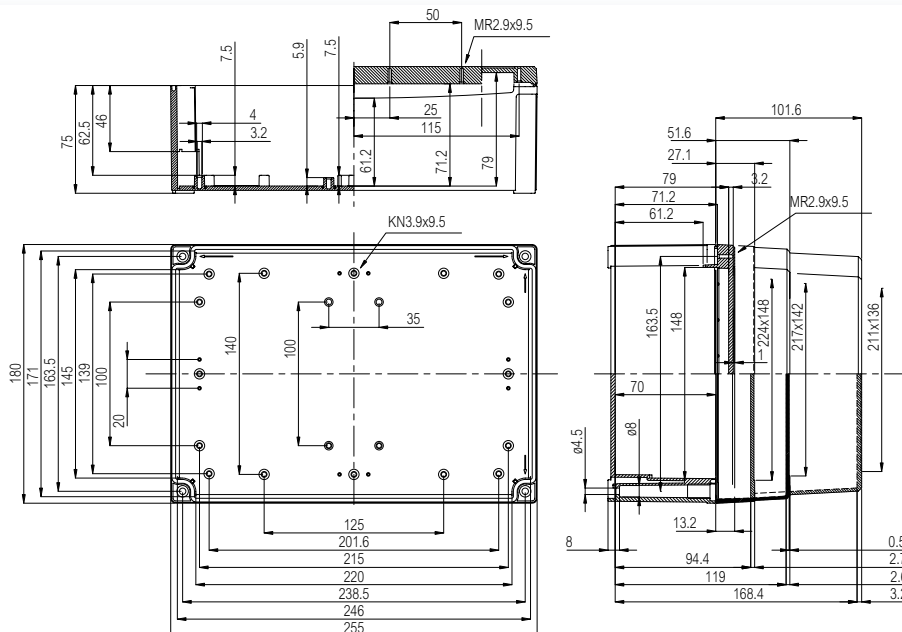
Including: Base with PUR gasket, screws for mounting plate/DIN-rail and cover with polyamide cover screws.

### Enclosures

Order symbol	Code	Dimensions	Description
PC 200/88 XHG	6013330	255 x 180 x 88	Enclosure, PC • Grey cover
PC 200/100 XHG	6013326	255 x 180 x 100	Enclosure, PC • Grey cover
PC 200/125 XHG	6013327	255 x 180 x 125	Enclosure, PC • Grey cover
PC 200/175 XHG	6013329	255 x 180 x 175	Enclosure, PC • Grey cover
PC 200/88 XHT	6013930	255 x 180 x 88	Enclosure, PC • Smoked transparent cover
PC 200/100 XHT	6013926	255 x 180 x 100	Enclosure, PC • Smoked transparent cover
PC 200/125 XHT	6013927	255 x 180 x 125	Enclosure, PC • Smoked transparent cover
PC 200/175 XHT	6013929	255 x 180 x 175	Enclosure, PC • Smoked transparent cover
ABS 200/88 XHG	6083330	255 x 180 x 88	Enclosure, ABS • Grey cover
ABS 200/100 XHG	6083326	255 x 180 x 100	Enclosure, ABS • Grey cover
ABS 200/125 XHG	6083327	255 x 180 x 125	Enclosure, ABS • Grey cover
ABS 200/175 XHG	6083329	255 x 180 x 175	Enclosure, ABS • Grey cover
ABS 200/88 XHT	6083930	255 x 180 x 88	Enclosure, ABS • Smoked transparent cover
ABS 200/100 XHT	6083926	255 x 180 x 100	Enclosure, ABS • Smoked transparent cover
ABS 200/125 XHT	6083927	255 x 180 x 125	Enclosure, ABS • Smoked transparent cover
ABS 200/175 XHT	6083929	255 x 180 x 175	Enclosure, ABS • Smoked transparent cover

### Accessories

Order symbol	Code	Dimensions	Description
MIV 200	5514080	223 x 148	Mounting plate (Galvanized steel)
MIN 15	6314577	15 x 150	DIN-15 Mounting rail
MIN 20	6314578	15 x 225	DIN-15 Mounting rail
MIV 15	5514083	35 x 150	DIN-35 Mounting rail
MIV 20	5514084	35 x 225	DIN-35 Mounting rail
FP A 200/180	6314574	237 x 170	Front plate (Aluminium)
HFP 180	6314564		Front plate hinge series for FP A 150-200 • (2 pcs) incl. screws
FP 22046	8522346		Wall fastening lug (4 pcs) • incl. screws





# MNX PC/ABS 300Z

360 x 255

PC: IP 66/IP 67, IK 08  
ABS: IP 66/IP 67, IK 07

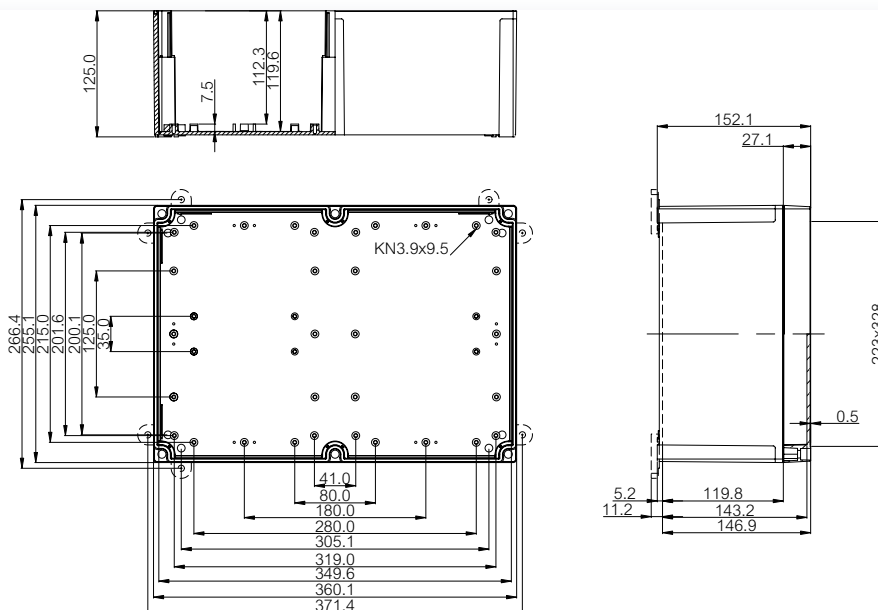
Including: Base with PUR gasket, screws for mounting plate/DIN-rail and cover with polyamide cover screws.

## Enclosures

Order symbol	Code	Dimensions	Description
PC 300/150 ZG	6017338	360 x 255 x 152	Enclosure, PC • Grey cover
PC 300/150 ZT	6017938	360 x 255 x 152	Enclosure, PC • Smoked transparent cover
ABS 300/150 ZG	6087338	360 x 255 x 152	Enclosure, ABS • Grey cover
ABS 300/150 ZT	6087938	360 x 255 x 152	Enclosure, ABS • Smoked transparent cover

## Accessories

Order symbol	Code	Dimensions	Description
MIV 300	5514585	330 x 225	Mounting plate (Galvanized steel)
MIV 200	5514080	223 x 148	Mounting plate (Galvanized steel)
MIV 150	5514078	148 x 98	Mounting plate (Galvanized steel)
MIN 20	6314578	15 x 225	DIN-15 Mounting rail
MIN 15	6314577	15 x 150	DIN-15 Mounting rail
MIV 30	5514586	35 x 329	DIN-35 Mounting rail
MIV 20	5514084	35 x 225	DIN-35 Mounting rail
MIV 15	5514083	35 x 150	DIN-35 Mounting rail
FP 10674	5510674		Wall fastening lug (2 pcs) • incl. screws



# MNX PCM 95

100 x 100

PC: IP 66/IP 67, IK 08



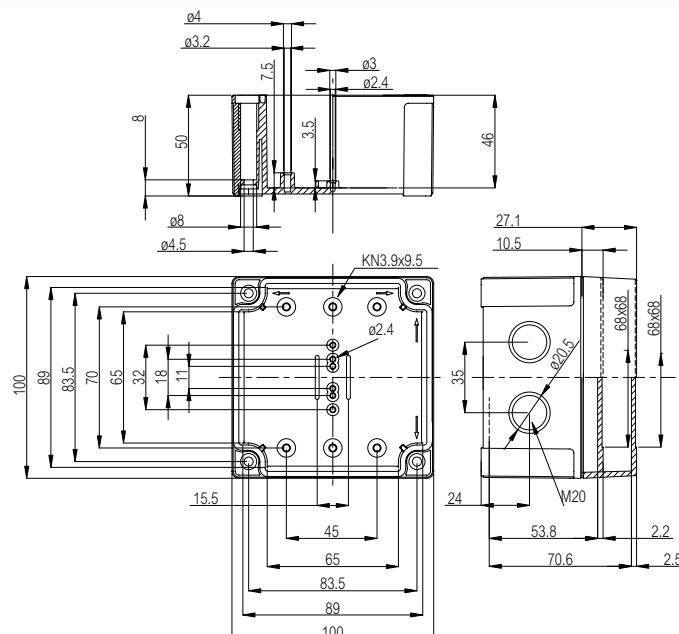
Including: Base with metric knock-outs and PUR gasket, screws for mounting plate/DIN-rail and cover with polyamide cover screws.

## Enclosures

Order symbol	Code	Dimensions	Description
PCM 95/60 G	6016331	100 x 100 x 60	Enclosure, PC ▪ Grey cover
PCM 95/75 G	6016332	100 x 100 x 75	Enclosure, PC ▪ Grey cover
PCM 95/60 T	6016931	100 x 100 x 60	Enclosure, PC ▪ Smoked transparent cover
PCM 95/75 T	6016932	100 x 100 x 75	Enclosure, PC ▪ Smoked transparent cover

## Accessories

Order symbol	Code	Dimensions	Description
MIV 95	5514583	66 x 80	Mounting plate (Galvanized steel)
MIN 8	6314584	15 x 80	DIN-15 Mounting rail
B-3	8524030	35 x 80	DIN-35 Mounting rail
FP 22046	8522346		Wall fastening lug (4 pcs) ▪ incl. screws







# MNX PCM 100

130 x 80

PC: IP 66/IP 67, IK 08

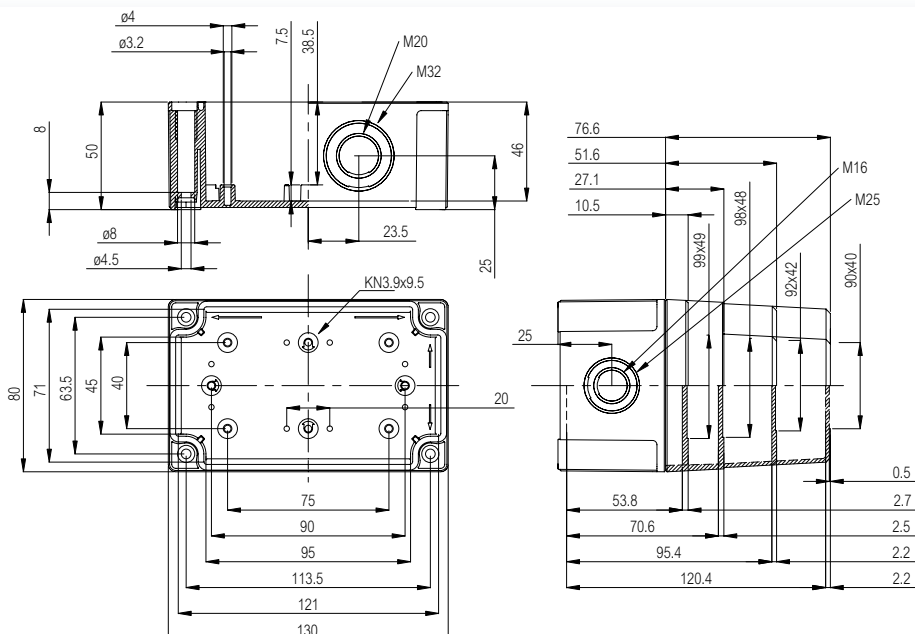
Including: Base with metric knock-outs and TPE gasket, screws for mounting plate/DIN-rail and cover with polyamide cover screws.

## Enclosures

Order symbol	Code	Dimensions	Description
PCM 100/60 G	6016301	130 x 80 x 60	Enclosure, PC • Grey cover
PCM 100/75 G	6016302	130 x 80 x 75	Enclosure, PC • Grey cover
PCM 100/100 G	6016303	130 x 80 x 100	Enclosure, PC • Grey cover
PCM 100/125 G	6016304	130 x 80 x 125	Enclosure, PC • Grey cover
PCM 100/60 T	6016901	130 x 80 x 60	Enclosure, PC • Smoked transparent cover
PCM 100/75 T	6016902	130 x 80 x 75	Enclosure, PC • Smoked transparent cover
PCM 100/100 T	6016903	130 x 80 x 100	Enclosure, PC • Smoked transparent cover
PCM 100/125 T	6016904	130 x 80 x 125	Enclosure, PC • Smoked transparent cover

## Accessories

Order symbol	Code	Dimensions	Description
MIV 100	5514076	98 x 48	Mounting plate (Galvanized steel)
MIN 5	6314575	15 x 50	DIN-15 Mounting rail
MIN 10	6314576	15 x 100	DIN-15 Mounting rail
MIV 5	5514081	35 x 50	DIN-35 Mounting rail
MIV 10	5514082	35 x 100	DIN-35 Mounting rail
FP A 100/130	6314570	120 x 62	Front plate (Aluminium)
HFP 130	6314563		Front plate hinge series for FP A 100-125 • (2 pcs) incl. screws
FP 22046	8522346		Wall fastening lug (4 pcs) • incl. screws



# MNX PCM 125

130 x 130

PC: IP 66/IP 67, IK 08



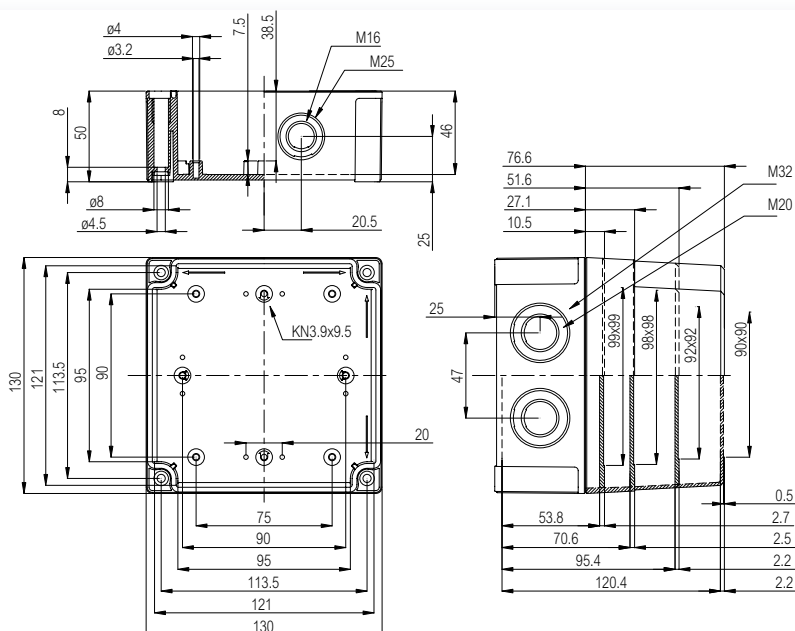
Including: Base with metric knock-outs and TPE gasket, screws for mounting plate/DIN-rail and cover with polyamide cover screws.

## Enclosures

Order symbol	Code	Dimensions	Description
PCM 125/60 G	6016307	130 x 130 x 60	Enclosure, PC ▪ Grey cover
PCM 125/75 G	6016308	130 x 130 x 75	Enclosure, PC ▪ Grey cover
PCM 125/100 G	6016309	130 x 130 x 100	Enclosure, PC ▪ Grey cover
PCM 125/125 G	6016310	130 x 130 x 125	Enclosure, PC ▪ Grey cover
PCM 125/60 T	6016907	130 x 130 x 60	Enclosure, PC ▪ Smoked transparent cover
PCM 125/75 T	6016908	130 x 130 x 75	Enclosure, PC ▪ Smoked transparent cover
PCM 125/100 T	6016909	130 x 130 x 100	Enclosure, PC ▪ Smoked transparent cover
PCM 125/125 T	6016910	130 x 130 x 125	Enclosure, PC ▪ Smoked transparent cover

## Accessories

Order symbol	Code	Dimensions	Description
MIV 125	5514077	98 x 98	Mounting plate (Galvanized steel)
MIN 10	6314576	15 x 100	DIN-15 Mounting rail
MIV 10	5514082	35 x 100	DIN-35 Mounting rail
FP A 125/130	6314571	120 x 112	Front plate (Aluminium)
HFP 130	6314563		Front plate hinge series for FP A 100-125 ▪ (2 pcs) incl. screws
FP 22046	8522346		Wall fastening lug (4 pcs) ▪ incl. screws





# MNX PCM 150

180 x 130

PC: IP 66/IP 67, IK 08

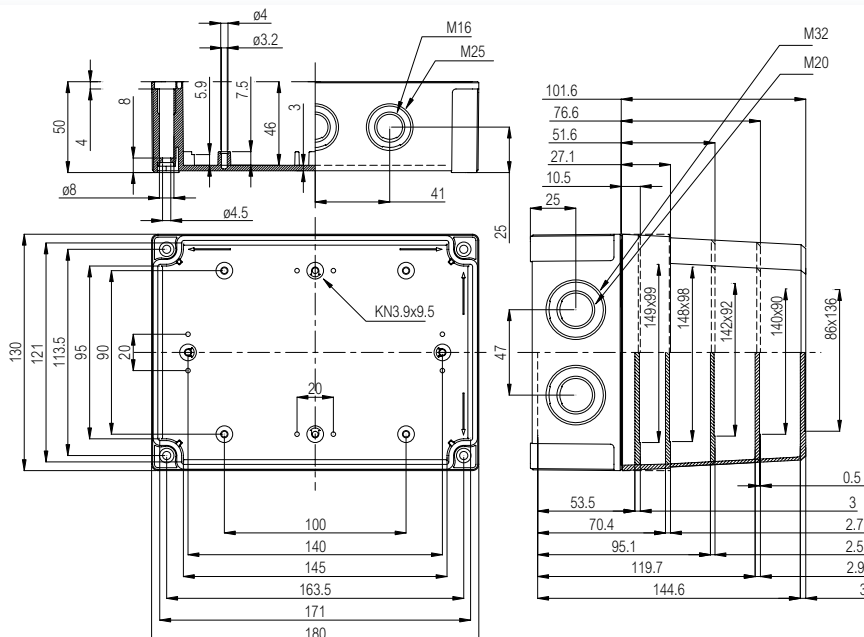
Including: Base with metric knock-outs and TPE gasket, screws for mounting plate/DIN-rail and cover with polyamide cover screws.

## Enclosures

Order symbol	Code	Dimensions	Description
PCM 150/60 G	6016313	180 x 130 x 60	Enclosure, PC • Grey cover
PCM 150/75 G	6016314	180 x 130 x 75	Enclosure, PC • Grey cover
PCM 150/100 G	6016315	180 x 130 x 100	Enclosure, PC • Grey cover
PCM 150/125 G	6016316	180 x 130 x 125	Enclosure, PC • Grey cover
PCM 150/150 G	6016317	180 x 130 x 150	Enclosure, PC • Grey cover
PCM 150/60 T	6016913	180 x 130 x 60	Enclosure, PC • Smoked transparent cover
PCM 150/75 T	6016914	180 x 130 x 75	Enclosure, PC • Smoked transparent cover
PCM 150/100 T	6016915	180 x 130 x 100	Enclosure, PC • Smoked transparent cover
PCM 150/125 T	6016916	180 x 130 x 125	Enclosure, PC • Smoked transparent cover
PCM 150/150 T	6016917	180 x 130 x 150	Enclosure, PC • Smoked transparent cover

## Accessories

Order symbol	Code	Dimensions	Description
MIV 150	5514078	148 x 98	Mounting plate (Galvanized steel)
MIN 10	6314576	15 x 100	DIN-15 Mounting rail
MIN 15	6314577	15 x 150	DIN-15 Mounting rail
MIV 10	5514082	35 x 100	DIN-35 Mounting rail
MIV 15	5514083	35 x 150	DIN-35 Mounting rail
FP A 150/180	6314572	170 x 112	Front plate (Aluminium)
HFP 180	6314564		Front plate hinge series for FP A 150-200 • (2 pcs) incl. screws
FP 22046	8522346		Wall fastening lug (4 pcs) • incl. screws



# MNX PCM 150X

180 x 130

PC: IP 66/IP 67, IK 08



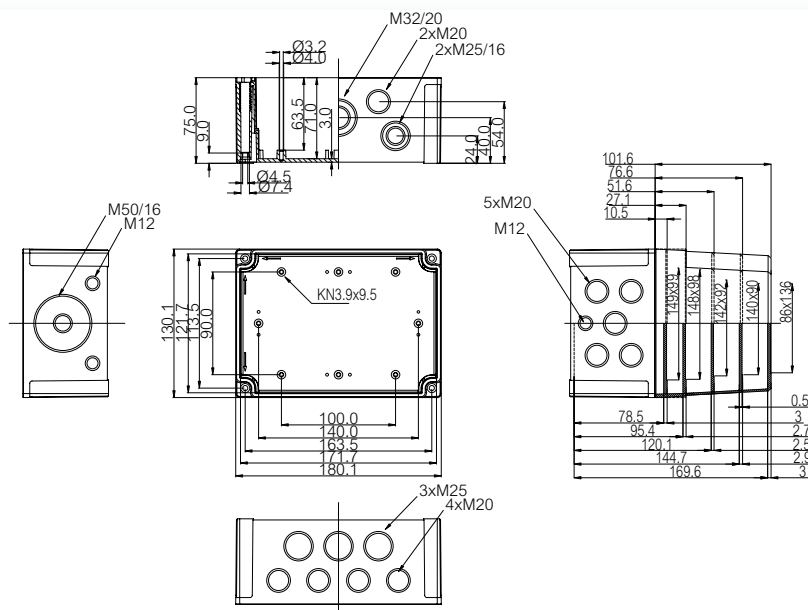
Including: Base with metric knock-outs and PUR gasket, screws for mounting plate/DIN-rail and cover with polyamide cover screws.

## Enclosures

Order symbol	Code	Dimensions	Description
PCM 150/85 XG	6016333	180 x 130 x 85	Enclosure, PC ▪ Grey cover
PCM 150/100 XG	6016334	180 x 130 x 100	Enclosure, PC ▪ Grey cover
PCM 150/125 XG	6016335	180 x 130 x 125	Enclosure, PC ▪ Grey cover
PCM 150/150 XG	6016336	180 x 130 x 150	Enclosure, PC ▪ Grey cover
PCM 150/175 XG	6016337	180 x 130 x 175	Enclosure, PC ▪ Grey cover
PCM 150/85 XT	6016933	180 x 130 x 85	Enclosure, PC ▪ Smoked transparent cover
PCM 150/100 XT	6016934	180 x 130 x 100	Enclosure, PC ▪ Smoked transparent cover
PCM 150/125 XT	6016935	180 x 130 x 125	Enclosure, PC ▪ Smoked transparent cover
PCM 150/150 XT	6016936	180 x 130 x 150	Enclosure, PC ▪ Smoked transparent cover
PCM 150/175 XT	6016937	180 x 130 x 175	Enclosure, PC ▪ Smoked transparent cover

## Accessories

Order symbol	Code	Dimensions	Description
MIV 150	5514078	148 x 98	Mounting plate (Galvanized steel)
MIN 10	6314576	15 x 100	DIN-15 Mounting rail
MIN 15	6314577	15 x 150	DIN-15 Mounting rail
MIV 10	5514082	35 x 100	DIN-35 Mounting rail
MIV 15	5514083	35 x 150	DIN-35 Mounting rail
FP A 150/180	6314572	170 x 112	Front plate (Aluminium)
HFP 180	6314564		Front plate hinge series for FP A 150-200 ▪ (2 pcs) incl. screws
FP 22046	8522346		Wall fastening lug (4 pcs) ▪ incl. screws





# MNX PCM 175

180 x 180

PC: IP 66/IP 67, IK 08

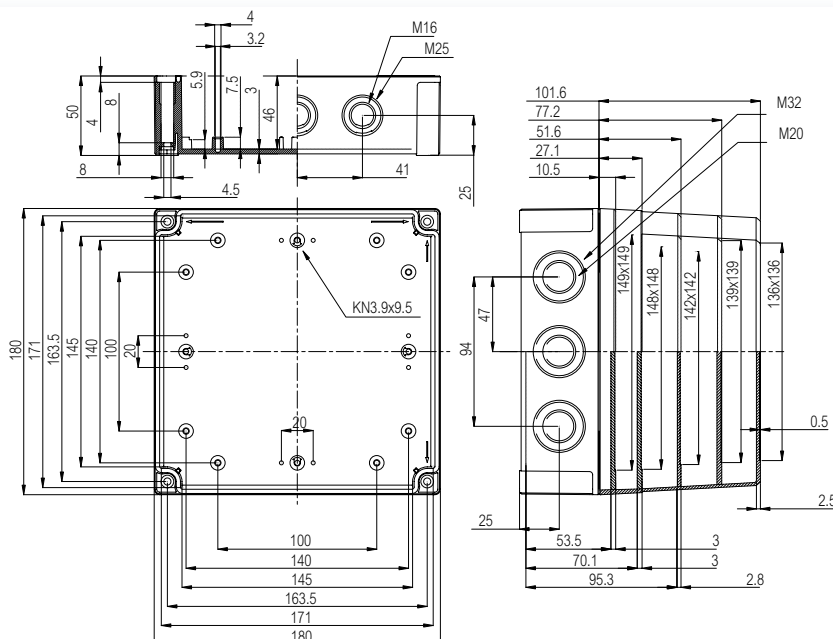
Including: Base with metric knock-outs and TPE gasket, screws for mounting plate/DIN-rail and cover with polyamide cover screws.

## Enclosures

Order symbol	Code	Dimensions	Description
PCM 175/60 G	6016319	180 x 180 x 60	Enclosure, PC • Grey cover
PCM 175/75 G	6016320	180 x 180 x 75	Enclosure, PC • Grey cover
PCM 175/100 G	6016321	180 x 180 x 100	Enclosure, PC • Grey cover
PCM 175/125 G	6016322	180 x 180 x 125	Enclosure, PC • Grey cover
PCM 175/150 G	6016323	180 x 180 x 150	Enclosure, PC • Grey cover
PCM 175/60 T	6016919	180 x 180 x 60	Enclosure, PC • Smoked transparent cover
PCM 175/75 T	6016920	180 x 180 x 75	Enclosure, PC • Smoked transparent cover
PCM 175/100 T	6016921	180 x 180 x 100	Enclosure, PC • Smoked transparent cover
PCM 175/125 T	6016922	180 x 180 x 125	Enclosure, PC • Smoked transparent cover
PCM 175/150 T	6016923	180 x 180 x 150	Enclosure, PC • Smoked transparent cover

## Accessories

Order symbol	Code	Dimensions	Description
MIV 175	5514079	148 x 148	Mounting plate (Galvanized steel)
MIN 15	6314577	15 x 150	DIN-15 Mounting rail
MIV 15	5514083	35 x 150	DIN-35 Mounting rail
FP A 175/180	6314573	170 x 162	Front plate (Aluminium)
HFP 180	6314564		Front plate hinge series for FP A 150-200 • (2 pcs) incl. screws
FP 22046	8522346		Wall fastening lug (4 pcs) • incl. screws



# MNX PCM 200

255 x 180

PC: IP 66/IP 67, IK 08



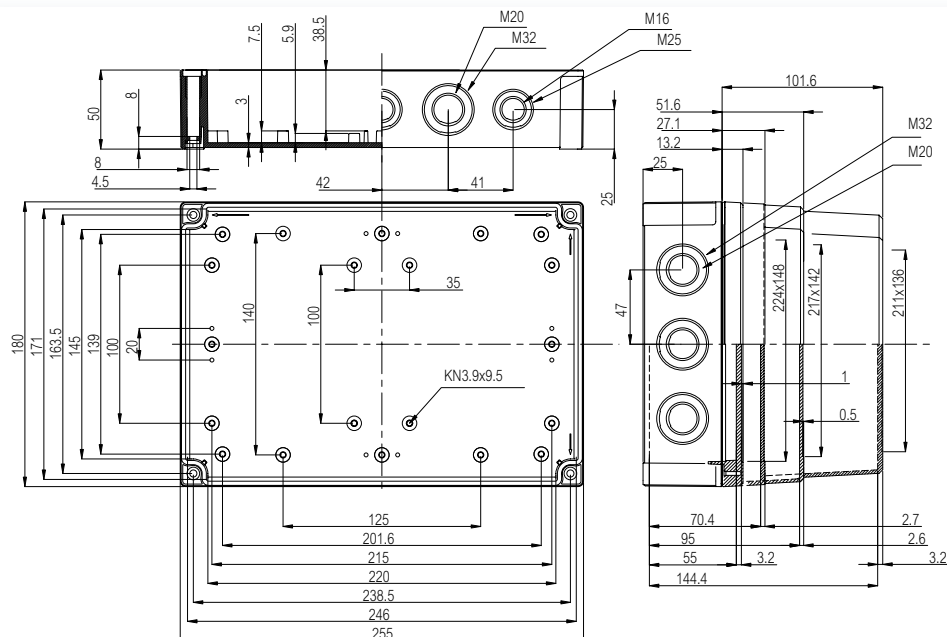
Including: Base with metric knock-outs and TPE gasket, screws for mounting plate/DIN-rail and cover with polyamide cover screws.

## Enclosures

Order symbol	Code	Dimensions	Description
PCM 200/63 G	6016324	255 x 180 x 63	Enclosure, PC ▪ Grey cover
PCM 200/75 G	6016326	255 x 180 x 75	Enclosure, PC ▪ Grey cover
PCM 200/100 G	6016327	255 x 180 x 100	Enclosure, PC ▪ Grey cover
PCM 200/150 G	6016329	255 x 180 x 150	Enclosure, PC ▪ Grey cover
PCM 200/63 T	6016924	255 x 180 x 63	Enclosure, PC ▪ Smoked transparent cover
PCM 200/75 T	6016926	255 x 180 x 75	Enclosure, PC ▪ Smoked transparent cover
PCM 200/100 T	6016927	255 x 180 x 100	Enclosure, PC ▪ Smoked transparent cover
PCM 200/150 T	6016929	255 x 180 x 150	Enclosure, PC ▪ Smoked transparent cover

## Accessories

Order symbol	Code	Dimensions	Description
MIV 200	5514080	223 x 148	Mounting plate (Galvanized steel)
MIN 15	6314577	15 x 150	DIN-15 Mounting rail
MIN 20	6314578	15 x 225	DIN-15 Mounting rail
MIV 15	5514083	35 x 150	DIN-35 Mounting rail
MIV 20	5514084	35 x 225	DIN-35 Mounting rail
FP A 200/180	6314574	237 x 170	Front plate (Aluminium)
HFP 180	6314564		Front plate hinge series for FP A 150-200 ▪ (2 pcs) incl. screws
FP 22046	8522346		Wall fastening lug (4 pcs) ▪ incl. screws





# MNX PCM 200X

255 x 180

PC: IP 66/IP 67, IK 08

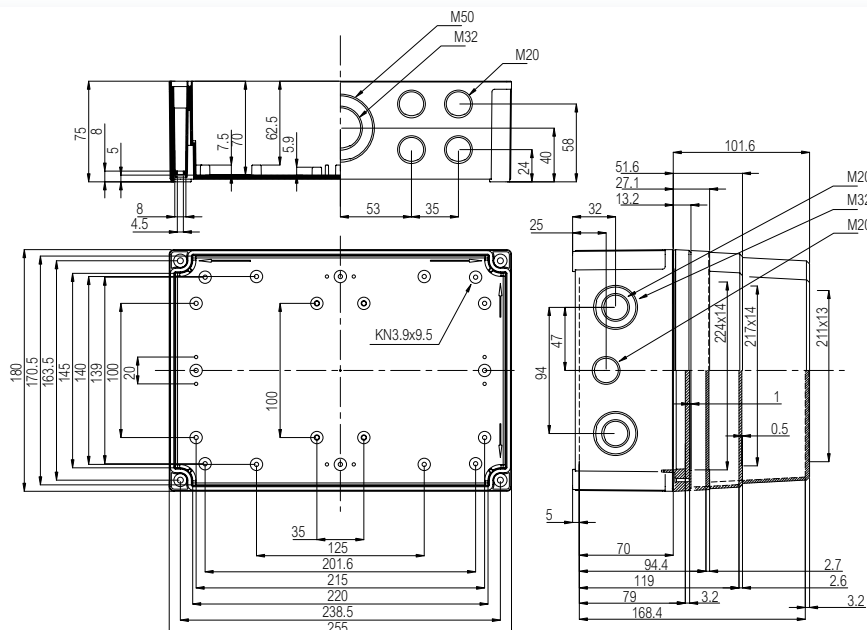
Including: Base with metric knock-outs and PUR gasket, screws for mounting plate/DIN-rail and cover with polyamide cover screws.

## Enclosures

Order symbol	Code	Dimensions	Description
PCM 200/88 XG	6015330	255 x 180 x 88	Enclosure, PC • Grey cover
PCM 200/100 XG	6015326	255 x 180 x 100	Enclosure, PC • Grey cover
PCM 200/125 XG	6015327	255 x 180 x 125	Enclosure, PC • Grey cover
PCM 200/175 XG	6015329	255 x 180 x 175	Enclosure, PC • Grey cover
PCM 200/88 XT	6015930	255 x 180 x 88	Enclosure, PC • Smoked transparent cover
PCM 200/100 XT	6015926	255 x 180 x 100	Enclosure, PC • Smoked transparent cover
PCM 200/125 XT	6015927	255 x 180 x 125	Enclosure, PC • Smoked transparent cover
PCM 200/175 XT	6015929	255 x 180 x 175	Enclosure, PC • Smoked transparent cover

## Accessories

Order symbol	Code	Dimensions	Description
MIV 200	5514080	223 x 148	Mounting plate (Galvanized steel)
MIN 15	6314577	15 x 150	DIN-15 Mounting rail
MIN 20	6314578	15 x 225	DIN-15 Mounting rail
MIV 15	5514083	35 x 150	DIN-35 Mounting rail
MIV 20	5514084	35 x 225	DIN-35 Mounting rail
FP A 200/180	6314574	237 x 170	Front plate (Aluminium)
HFP 180	6314564		Front plate hinge series for FP A 150-200 • (2 pcs) incl. screws
FP 22046	8522346		Wall fastening lug (4 pcs) • incl. screws



# MNX PCM 300Z

360 x 255

PC: IP 66/IP 67, IK 08



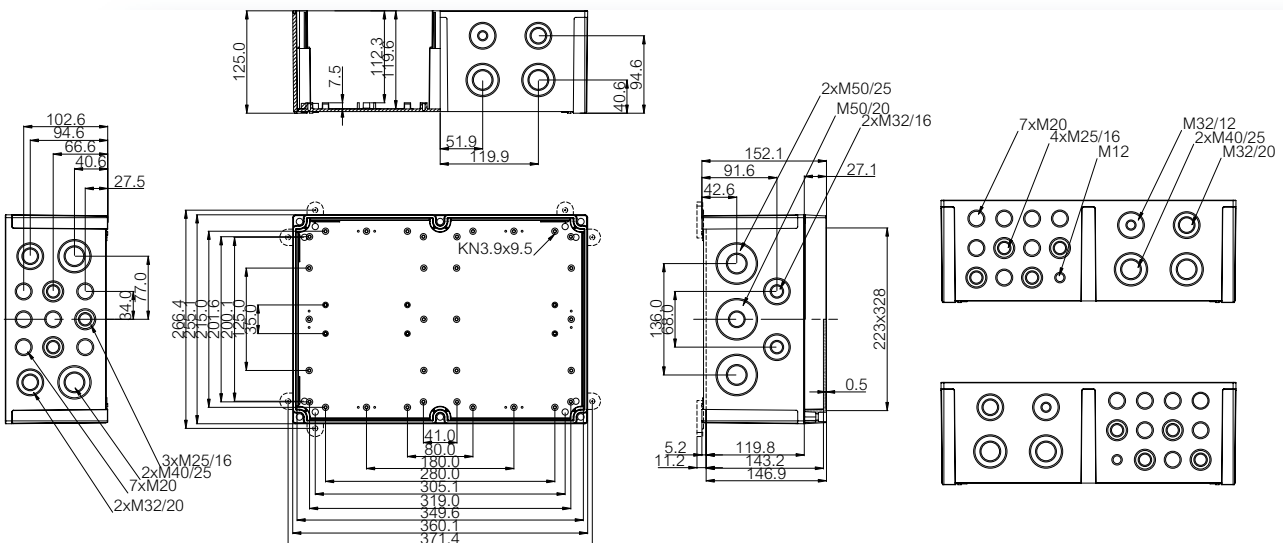
Including: Base with metric knock-outs and PUR gasket, screws for mounting plate/DIN-rail and cover with polyamide cover screws.

## Enclosures

Order symbol	Code	Dimensions	Description
PCM 300/150 ZG	6016338	360 x 255 x 152	Enclosure, PC - Grey cover
PCM 300/150 ZT	6016938	360 x 255 x 152	Enclosure, PC - Smoked transparent cover

## Accessories

Order symbol	Code	Dimensions	Description
MIV 300	5514585	330 x 225	Mounting plate (Galvanized steel)
MIV 200	5514080	223 x 148	Mounting plate (Galvanized steel)
MIV 150	5514078	148 x 98	Mounting plate (Galvanized steel)
MIN 20	6314578	15 x 225	DIN-15 Mounting rail
MIN 15	6314577	15 x 150	DIN-15 Mounting rail
MIV 30	5514586	35 x 329	DIN-35 Mounting rail
MIV 20	5514084	35 x 225	DIN-35 Mounting rail
MIV 15	5514083	35 x 150	DIN-35 Mounting rail
FP 10674	5510674		Wall fastening lug (2 pcs) - incl. screws





## ACCESSORIES

Order symbol	Code	Description
--------------	------	-------------

### Mounting plates (Galvanized steel, sheet thickness 1,5 mm)

MIV 95	5514583	66 x 80
MIV 100	5514076	98 x 48
MIV 125	5514077	98 x 98
MIV 150	5514078	148 x 98
MIV 175	5514079	148 x 148
MIV 200	5514080	223 x 148
MIV 300	5514585	330 x 225

### DIN-15 Mounting rails (Galvanized steel, rail height 5,0 mm)

MIN 5	6314575	15 x 50
MIN 8	6314584	15 x 80
MIN 10	6314576	15 x 100
MIN 15	6314577	15 x 150
MIN 20	6314578	15 x 225

### DIN-35 Mounting rails (Galvanized steel, rail height 7,5 mm)

MIV 5	5514081	35 x 50
MIV 10	5514082	35 x 100
MIV 15	5514083	35 x 150
MIV 20	5514084	35 x 225
MIV 30	5514586	35 x 329

### Front plates (Aluminium, sheet thickness 1,5 mm)

FP A 100/130	6314570	120 x 62
FP A 125/130	6314571	120 x 112
FP A 150/180	6314572	170 x 112
FP A 175/180	6314573	170 x 162
FP A 200/180	6314574	237 x 170

### Front plate hinge series

HFP 130	6314563	Front plate hinge series for FP A 100-125 ▪ (2 pcs) incl. screws
HFP 180	6314564	Front plate hinge series for FP A 150-200 ▪ (2 pcs) incl. screws

### Hinges and wall mounting

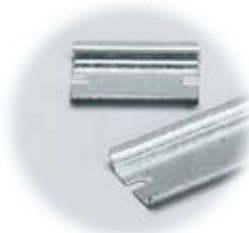
TH A	9802001	Grey plastic hinges (2 pcs) ▪ incl. mounting screws
TH BA	9802000	Black plastic hinges (2 pcs) ▪ incl. mounting screws
MB 14560	6314560	Grey blind plug ▪ Use with TH A hinges
MB 14560B	6334560	Black blind plug ▪ Use with TH BA hinges
FP 22046	8522346	Wall fastening lug (4 pcs) ▪ incl. screws
FP 10674	5510674	Wall fastening lug (2 pcs) ▪ incl. screws

### Cover screws

SS 14550L	6314550	Cover screw for 10/13 mm cover ▪ Grey
SS 14551H	6314551	Cover screw for 25-100 mm covers ▪ Grey
SS 14550BL	6334550	Cover screw for 10/13 mm cover ▪ Black
SS 14551BH	6334551	Cover screw for 25-100 mm covers ▪ Black

### Grey screw set for grey covers

MBS LL	6300001	Low cover (10/13 mm) ▪ Low base (25 mm)
MBS LH	6300002	Low cover (10/13 mm) ▪ High base (50-125 mm)
MBS HL	6300003	High cover (25-100 mm) ▪ Low base (25 mm)
MBS HH	6300004	High cover (25-100 mm) ▪ High base (50-125 mm)

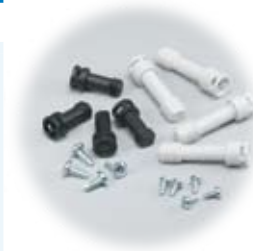


## ACCESSORIES

Order symbol      Code      Description

### Black screw set for transparent covers

MBS BLL	6330001	Low cover (10/13 mm) ▪ Low base (25 mm)
MBS BLH	6330002	Low cover (10/13 mm) ▪ High base (50 - 125 mm)
MBS BHL	6330003	High cover (25-100 mm) ▪ Low base (25 mm)
MBS BHH	6330004	High cover (25-100 mm) ▪ High base (50-125 mm)



### Polyamide wing heads

MB 14552	6314552	Wing head for cover screw ▪ Grey
MB 14552B	6334552	Wing head for cover screw ▪ Black
MBS 14552	6300005	Grey wing head set ▪ (40 pcs)
MBS 14552B	6330005	Black wing head set ▪ (40 pcs)



### Polyamide sealing plugs

DP 14553	6314553	Sealing plug for cover screw ▪ Grey
DP 14553B	6334553	Sealing plug for cover screw ▪ Black
DPS 14553	6300006	Grey sealing plug set ▪ (40 pcs)
DPS 14553B	6330006	Black sealing plug set ▪ (40 pcs)



### Mounting screws

MR ZN2.9x6.5	6314052	Mounting screw ▪ only for low bases (25 mm)
KN 3.9x9.5	5514042	Mounting screw
KN 3.9x9.5-10 SET	5614042	Mounting screw set ▪ (10 pcs)



## MNX technical information

Property	Polycarbonate (PC)	ABS
Ingress Protection (EN 60529)	IP 66/IP 67	IP 66/IP 67
Impact Resistance (EN 62262)	IK 08	IK 07
Temperature Range Celsius (short term)	-40° . . 120°C	-40° . . 80°C
Temperature Range Celsius (continuous)	-40° . . 80°C	-40° . . 60°C
Electrical Insulation	Totally insulated ☐	Totally insulated ☐
Light Grey Parts Colour	RAL 7035 Industry Grey	RAL 7035 Industry Grey
Transparent Clear PC Cover	Smoked Grey	Smoked Grey
Cover Screws	Black or Grey	Black or Grey
Gasket	Polyamide (PA)	Polyamide (PA)
Enclosure Flammability Rating	TPE/PUR	TPE/PUR
Glow Wire Test (IEC 695-2-1) Self-extinguishing (PC)	UL 94-5V	UL 94HB
Non-toxicity	960°C	650°C
UV resistance	Halogen Free	Halogen Free
Chemical Resistance *	UL 508 720 hours in "Weatherometer"	Good

### Confirmity to standards

**USA** Enclosures for Electrical Equipment  
PC: UL Type 1, 4, 4X, 6 (12 or 13); UL File E75645 Vol 1 Sec 7; UL 746C-5VA flame test (UL 50/508)  
ABS: NEMA 1, 4, 4X, 6 (12 or 13)

**Canada** Industrial Control Equipment  
Enclosures for Electrical Equipment/ULC

**Europe** Empty enclosures for low-voltage switchgear and controlgear assemblies EN 62208:2003 (50298:1998)

**Europe** Safety of Information Technology Equipment EN 60950  
RoHS directive 2002/95/EC

**Russia** GostR - Gost Russian certificate of conformity

Data subject to change without notice.

\* Consult separate raw material data for more detailed information