

**CONNECT AND PROTECT**

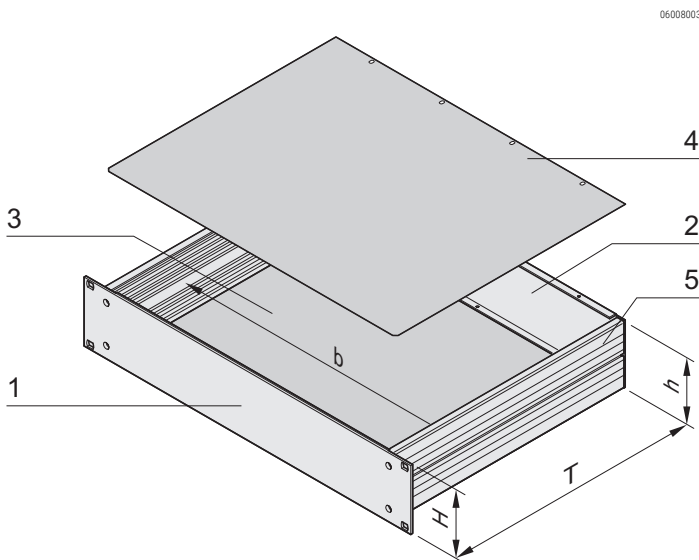
**MultipacPRO**

  
nvent

**SCHROFF**

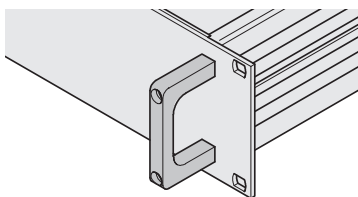
# 19" chassis – MultipacPRO

## 19" COMPLETE CHASSIS FROM ALUMINIUM WITH PLAIN TOP COVER AND BASE PLATE



h = clear height (overall) (H - 8.1 mm)  
width = 403 mm

b = clear installation



Front handle

- Complete chassis from aluminium
- Detachable rear panel for easy machining
- EMC shielding of approx. 30 dB(A) at 1 GHz (without additional shielding material)
- In accordance with standard IEC 60297-3-100, -101, -105
- In the 1 U version 19" and ATX power supplies can be assembled up to a clearance of 35 mm

### DELIVERY COMPRISES (Kit)

Item	Qty	Description
1	1	Front panel, Al extrusion, 3 mm; in 1 U: front anodised, rear etched; from 2 U: front and rear side of front panels clear passivated
2	1	Rear panel, Al, 2 mm, etched
3	1	Base plate, plain, Al, 1 mm
4	1	Cover plate, plain, Al, 1 mm
5	2	Side panel, Al extrusion, raw; with grooves for threaded insert (2 x 7); 5 U, two-piece, 3+2 U
6	1	Assembly kit

### ORDER INFORMATION

Height U	Height H mm	Depth T mm	Part no. Kit
1	43.7	220	<b>20860-601</b>
1	43.7	280	<b>20860-602</b>
1	43.7	340	<b>20860-603</b>
2	88.1	220	<b>20860-604</b>
2	88.1	280	<b>20860-605</b>
2	88.1	340	<b>20860-606</b>
3	132.6	280	<b>20860-607</b>
3	132.6	340	<b>20860-608</b>
3	132.6	400	<b>20860-609</b>
3	132.6	460	<b>20860-610</b>
4	177.0	280	<b>20860-611</b>
4	177.0	340	<b>20860-612</b>
4	177.0	400	<b>20860-613</b>
4	177.0	460	<b>20860-614</b>
5	221.5	460	<b>20860-615</b>

EMC gasketing kit Silicone/nickel gasket 2100 mm for contacting side panel/cover plate; seal, stainless steel, for front panel/cover plate, 1 kit **20860-130**

Front handles incl. assembly kit for 1 U, Al extrusion, anodised, PU 2 pieces **20860-256**

Front handles incl. assembly kit for 2 U, Al extrusion, anodised, PU 2 pieces **20860-257**

Front handles incl. assembly kit for 3 U, Al extrusion, anodised, PU 2 pieces **20860-258**

Front handles incl. assembly kit for 4 U, Al extrusion, anodised, PU 2 pieces **20860-259**

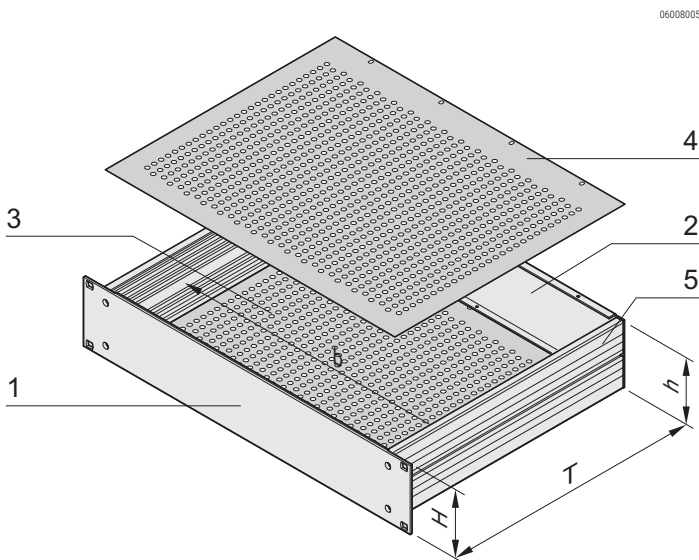
Front handles incl. assembly kit for 5 U, Al extrusion, anodised, PU 2 pieces **20860-260**

### NOTE

- Threaded inserts to push into the side panel see page 6.121
- Telescopic slides to mount into cabinet see page 6.125

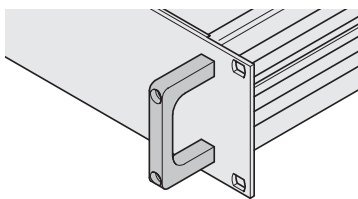
# 19" chassis – MultipacPRO

## 19" COMPLETE CHASSIS FROM ALUMINIUM WITH PERFORATED TOP COVER AND BASE PLATE



h = clear height (overall) (H - 8.1 mm)  
width = 403 mm

b = clear installation



Front handle

- Complete chassis from aluminium
- Detachable rear panel for easy machining
- In the 1 U version 19" and ATX power supplies can be assembled up to a clearance of 35 mm
- EMC shielding of approx. 30 dB(A) at 1 GHz (without additional shielding material)
- In accordance with standard IEC 60297-3-100, -101, -105

### DELIVERY COMPRISES (kit)

Item	Qty	Description
1	1	Front panel, Al extrusion, 3 mm; in 1 U: front anodised, rear etched; from 2 U: front and rear side of front panels clear passivated
2	1	Rear panel, Al, 2 mm, etched
3	1	Base plate, perforated, Al, 1 mm
4	1	Cover plate, perforated, Al, 1 mm
5	2	Side panel, Al extrusion, raw; with grooves for threaded insert (2 x 7); 5 U, two-piece, 3+2 U
6	1	Assembly kit

### ORDER INFORMATION

Height U	Height H mm	Depth T mm	Part no.
1	43.7	220	<b>20860-621</b>
1	43.7	280	<b>20860-622</b>
2	88.1	220	<b>20860-624</b>
2	88.1	280	<b>20860-625</b>
2	88.1	340	<b>20860-626</b>
3	132.6	280	<b>20860-627</b>
3	132.6	340	<b>20860-628</b>
3	132.6	400	<b>20860-629</b>
3	132.6	460	<b>20860-630</b>
4	177.0	340	<b>20860-632</b>
4	177.0	400	<b>20860-633</b>
4	177.0	460	<b>20860-634</b>
5	221.5	460	<b>20860-635</b>

EMC gasketing kit Silicone/nickel gasket 2100 mm for contacting side panel/cover plate; seal, stainless steel, for front panel/cover plate, 1 kit **20860-130**

Front handles incl. assembly kit for 1 U, Al extrusion, anodised, PU 2 pieces **20860-256**

Front handles incl. assembly kit for 2 U, Al extrusion, anodised, PU 2 pieces **20860-257**

Front handles incl. assembly kit for 3 U, Al extrusion, anodised, PU 2 pieces **20860-258**

Front handles incl. assembly kit for 4 U, Al extrusion, anodised, PU 2 pieces **20860-259**

Front handles incl. assembly kit for 5 U, Al extrusion, anodised, PU 2 pieces **20860-260**

### NOTE

- Threaded inserts to push into the side panel see page 6.121
- Telescopic slides to mount into cabinet see page 6.125

## **North America**

**Warwick, RI, USA**

Tel +1.800.525.4682

**San Diego, CA, USA**

Tel +1.800.854.7086

## **Europe, Middle East & India**

**Straubenhardt, Germany**

Tel +49 7082 794 0

**Betschdorf, France**

Tel +33 3 88 90 64 90

**Warsaw, Poland**

Tel +48 22 209 98 35

**Hemel Hempstead,**

**Great Britain**

Tel +44 1442 24 04 71

**Lainate, Italy**

Tel +39 02 932 714 1

**Dubai, United Arab Emirates**

Tel +971 4 37 81 700

**Bangalore, India**

Tel +91 80 67152000

**Istanbul, Turkey**

Tel +90 216 250 7374

## **Asia Pacific**

**Shanghai, China**

Tel +86 21 2412 6943

**Singapore**

Tel +65 6768 5800

**Shin-Yokohama, Japan**

Tel +81 45 476 0271

Our powerful portfolio of brands:

**CADDY ERICO HOFFMAN RAYCHEM SCHROFF TRACER**



[nVent.com/SCHROFF](https://www.nvent.com/SCHROFF)