



Schroff

PROPACPRO

Cabinets 1

Wall mounted cases 2

Accessories for cabinets and wall mounted cases . 3

Climate control . 4

Electronics cases 5

Subracks/ 19" chassis 6

Front panels, plug-in units ... 7

Systems 8

Power supply units 9

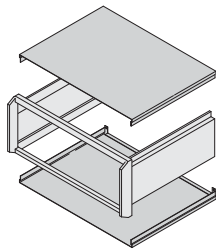
Backplanes ... 10

Connectors, front panel component system 11

Appendix 12

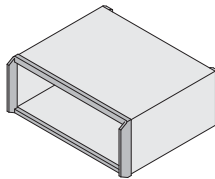


05809001



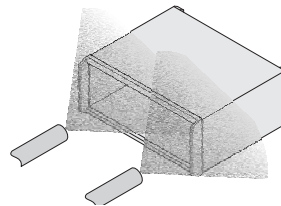
05806052

Easy access provided by removable cladding parts



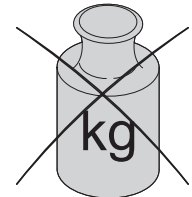
05806050

Extremely robust one-piece die-cast frame



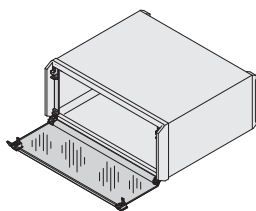
05806055

Non-sensitive, scratch-resistant finish through powder coating



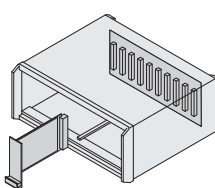
05806056

Low weight



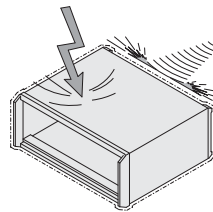
05806054

Wide accessory programme with acrylic glass front hoods, carrying handles, ...



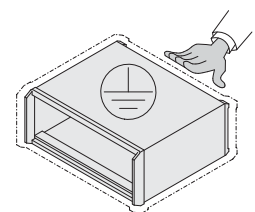
05806053

Assembly possibility for euroboards and backplanes



05806051

EMC version



noa44075

VDE-compliant GND/earthing

Standards

- Internal dimensions in accordance with IEC 60297-3-101
- Ingress protection IP 20 in accordance with IEC 60529
- EMC test in accordance with VG 95373 part 15
- Protective GND/earth connections in accordance with:
 - DIN EN 50178 / VDE 0160
 - DIN EN 60950 / VDE 0805
 - DIN EN 61010-1 / VDE 0411 part 1
 - DIN EN 61010-1A2 / VDE 0411 part 1/A1

Desk-top cases - *propacPRO*

Aluminium case for 19" components to IEC 60297-3-100 or individual electronics assemblies

- Front frame and side panels in aluminium
- Extensive accessories, matched to portable applications
- Basic level shielding from basic versions up, extended EMC shielding retrofittable
- Design alternative to compacPRO

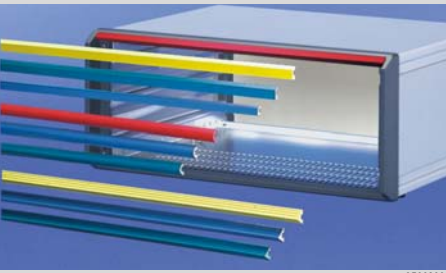


Desktop cases

- Complete case (pre-assembled)
 - Prepared for 19" components to IEC 60297 for installation of euroboards
 - Basic level shielding from basic versions up, extended EMC shielding retrofittable
 - Height 3 U, 6 U



- Cases
 - Pre-assembled cases as basis for individual components or 19" components (IEC 60297)
 - Basic level shielding from basic versions up, extended EMC shielding retrofittable
 - Height: 2 U, 3 U, 4 U, 6 U
 - 3 U and 4 U cases prepared for tip-up carrying handle



Accessories



ServicePLUS from page 5.4

e.g. modifications (special colours, special depths, cut-outs in top cover, base plate or side panels)
 e.g. assembly service from 1 piece

www.schroff.biz/ServicePLUS

propacPRO

- Complete cases 3, 6 U, unshielded/shielded 5.46
- Cases 2, 3 U 5.50
- Cases 4, 6 U 5.51
- Cases for tip-up carrying handle 3, 4 U 5.52
- Dimensions 5.53
- EMC shielding ... 5.55

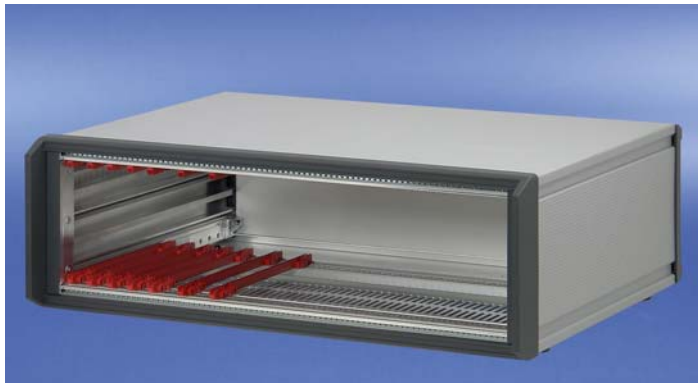
Accessories

- Front panels 5.54
- Rear panels 5.55
- Design elements . 5.58
- Lateral covers ... 5.59
- Handles 5.60
- Air filters 5.61
- Hoods 5.62
- Mounting plates .. 5.64
- GND/earthing kit . 5.65
- Cable holder ... 5.65
- Mounting position horizontal/central rails 5.66
- Horizontal rails . 5.67
- Threaded inserts . 5.68
- Z-rails, perforated rails .. 5.69
- Combined mounting 5.70
- Horizontal board assembly 5.71
- Tip-up feet 5.72
- Guide rails and ESD clips 5.73
- Divider plates 5.75
- Air flow barrier ... 5.75

ServicePLUS .. 5.4

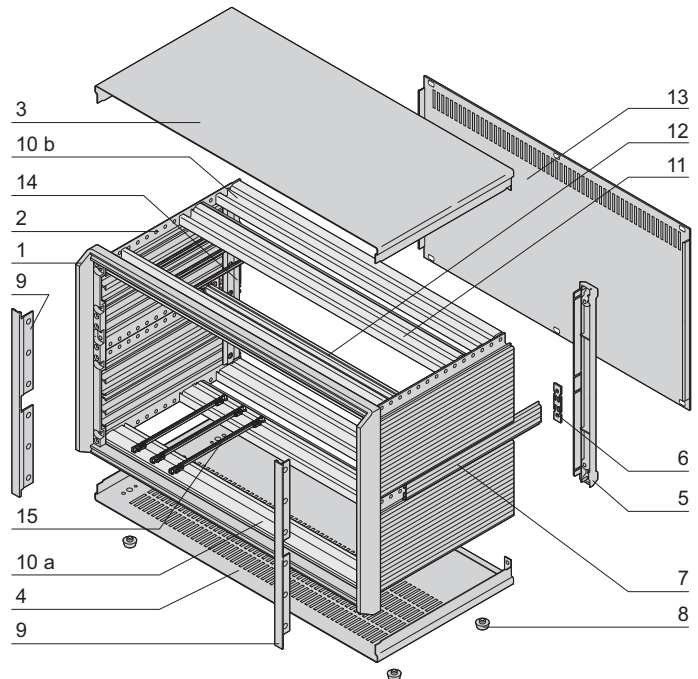
Desk-top enclosure - *propacPRO*

Complete case, EMC shielded



3 U

05809004



05806106

Maximum mounting depth = D - 45
(Distance: front panel - rear panel)



ServicePLUS see page 5.4

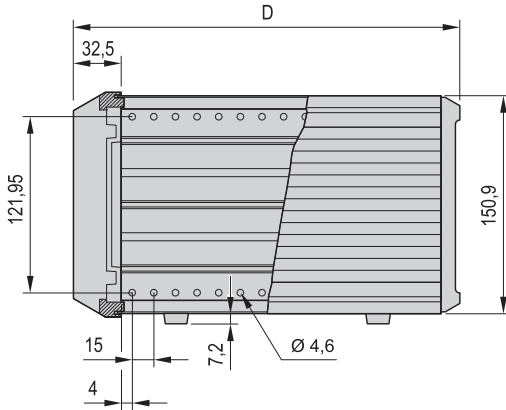
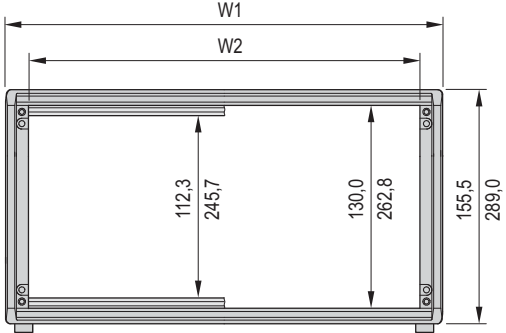
- Desk-top case with pre-configured components, in accordance with IEC 60297-3-101; prepared for 19" components such as plug-in units and euroboards
- Ventilation slots in base plate
- Rear panel with vent slots

Delivery comprises (Items 1-7, 9 and 10 fitted)

Item	Qty		Description
	3 U	6 U	
1	1	1	Frame, Al die-cast, powder-coated, RAL 7016
2	2	4	Side panel, Al extrusion, powder-coated, RAL 9006, with EMC side panel gasketing
3	1	1	Cover plate, Al, 1 mm, internal surface conductive, visible surface powder-coated, RAL 9006, with GND/earthing tag
4	1	1	Base plate, Al, 1 mm, internal surface conductive, visible surface powder-coated, RAL 9006, with GND/earthing tag, base plate with 4 rows of ventilation slots
5	2	2	End piece for rear, ABS, RAL 7016, UL 94 V-0; can be used as a foot when case is used in vertical position
6	-	2	Adaptor bracket (only at 6 U)
7	-	2	Cover trim for side panel, Al extrusion, powder-coated, RAL 9006
8	4	4	Case foot with anti-slip protection, PC, black, UL 94 V-0
9	2	2	Lateral trim, Al extrusion, visible surface painted, RAL 7016 with EMC sealing (textile)
10a	2	2	Horizontal rail, Al extrusion, with threaded insert, St, M2.5; perforated strip, Al, 1 mm, EMC contact strip between front panel - horizontal rail - cover plate
10b	2	2	Horizontal rail, Al extrusion, with threaded insert, St, M2.5; EMC contact strip between rear panel - horizontal rail - cover plate
11	2	2	Centre horizontal rail top/bottom, Al extrusion, with threaded insert, St, M2.5 and insulation strip, PBT, UL 94 V-0 (for indirect backplane mounting); enclosed loose
12	-	1	Centre horizontal rail, Al extrusion, anodised, conductive surfaces, with two threaded inserts, St, M2.5 and two insulation strips, PBT, UL 94 V-0
13	1	1	Rear panel with perforation, Al, 2.5 mm, anodised, with EMC sealing (textile) affixed
14	2	2	EMC support profile rear, Al extrusion, EMC sealing (textile) affixed
15	10/ 20	10/ 20	Guide rail for 160 mm board length, PBT, UL 94 V-0, 28/42 HP 10 pieces, 63/84 HP 20 pieces
16	1	1	GND/earthing kit
17	1	1	Assembly kit

Desk-top enclosure - *propac*PRO

Complete cases, EMC shielded



3 U

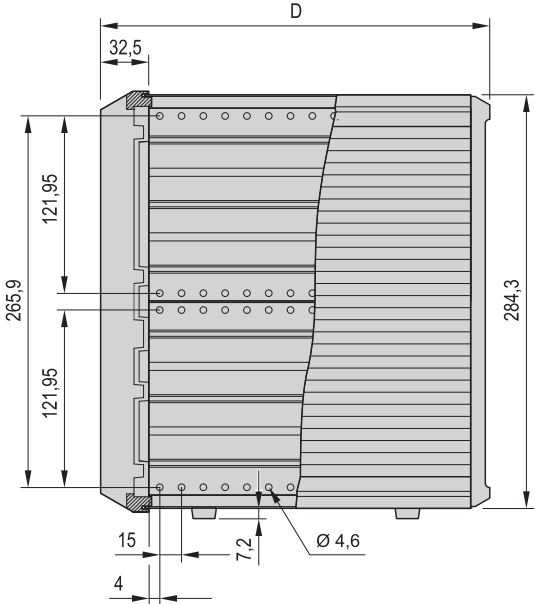
05809051

Order Information

Usable width	Width W1	Depth D	Height	Part no.	
W2	W1	D	U		
HP	mm	mm			
28	147.3	185.9	266	3	24576-101
28	147.3	185.9	326	3	24576-102
42	218.4	257	266	3	24576-103
42	218.4	257	326	3	24576-104
42	218.4	257	386	3	24576-105
63	325.1	363.7	266	3	24576-106
63	325.1	363.7	326	3	24576-107
63	325.1	363.7	386	3	24576-108
84	431.8	470.3	266	3	24576-109
84	431.8	470.3	326	3	24576-110
84	431.8	470.3	386	3	24576-111
84	431.8	470.3	446	3	24576-112
84	431.8	470.3	506	3	24576-113
84	431.8	470.3	326	6	24576-121
84	431.8	470.3	446	6	24576-122

Note

■ Dimension drawings of side panel see from page 5.53



6 U

05806062

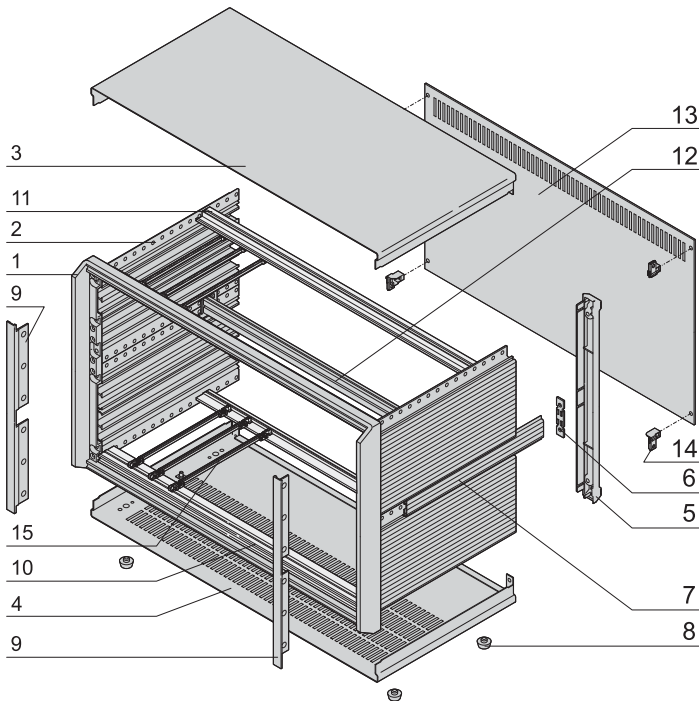
Desk-top enclosure - *propacPRO*

Complete cases, unshielded



3 U

05809004



05806105

Maximum mounting depth = D - 45
(Distance: front panel - rear panel)



ServicePLUS see page 5.4

- Desk-top case with pre-configured components, in accordance with IEC 60297-3-101; prepared for 19" components such as plug-in units and euroboards
- Ventilation slots in base plate
- Rear panel perforated

Delivery comprises (Items 1-7, 9 and 10 fitted)

Item	Qty		Description
	3 U	6 U	
1	1	1	Frame, Al die-cast, powder-coated, RAL 7016
2	2	4	Side panel, Al extrusion, powder-coated, RAL 9006
3	1	1	Cover plate, Al, 1 mm, internal surface conductive, visible surface powder-coated, RAL 9006, with GND/earthing tag
4	1	1	Base plate, Al, 1 mm, internal surface conductive, visible surface powder-coated, RAL 9006, with GND/earthing tag, base plate with 4 rows of ventilation slots
5	2	2	End piece for rear, ABS, RAL 7016, UL 94 V-0; can be used as a foot for use in vertical position
6	-	2	Adaptor bracket (only at 6 U)
7	-	2	Cover trim for side panel, Al extrusion, powder-coated, RAL 9006
8	4	4	Case foot with anti-slip protection, PC, black, UL 94 V-0
9	2	2	Lateral trim, Al extrusion, visible surface painted, RAL 7016 with EMC sealing (textile)
10	2	2	Horizontal rail, Al extrusion, with threaded insert, St, M2.5
11	2	2	Rear horizontal rail, Al extrusion, with threaded insert, St, M2.5 and insulation strips, PBT, UL 94 V-0 (for indirect backplane mounting)
12	-	1	Centre horizontal rail, Al extrusion, anodised, conductive surfaces, with two threaded inserts, St, M2.5 and two insulation strips, PBT, UL 94 V-0
13	1	1	Rear panel with perforation, Al, anodised, 2 mm at 28, 42 and 63 HP, 2.5 mm at 84 HP
14	4	4	Support member for rear panel, Zn die-cast
15	10/ 20	10/ 20	Guide rail for 160 mm board length, PBT, UL 94 V-0, 28/42 HP 10 pieces, 63/84 HP 20 pieces
16	1	1	GND/earthing kit
17	1	1	Assembly kit

Desk-top enclosure - *propac*PRO

Complete cases, unshielded

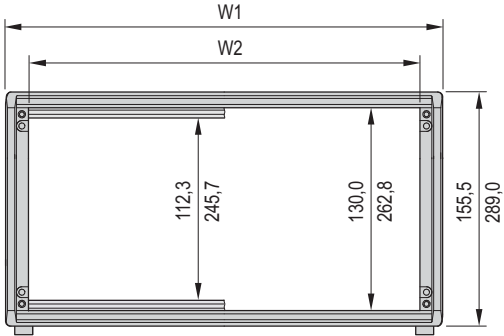
Order Information

Usable width	Width W1	Depth D	Height	Part no.	
W2	W2		U		
HP	mm	mm	mm		
28	147.3	185.9	266	3	24576-001
28	147.3	185.9	326	3	24576-002
42	218.4	257	266	3	24576-003
42	218.4	257	326	3	24576-004
42	218.4	257	386	3	24576-005
63	325.1	363.7	266	3	24576-006
63	325.1	363.7	326	3	24576-007
63	325.1	363.7	386	3	24576-008
84	431.8	470.3	266	3	24576-009
84	431.8	470.3	326	3	24576-010
84	431.8	470.3	386	3	24576-011
84	431.8	470.3	446	3	24576-012
84	431.8	470.3	506	3	24576-013
84	431.8	470.3	326	6	24576-021
84	431.8	470.3	446	6	24576-022

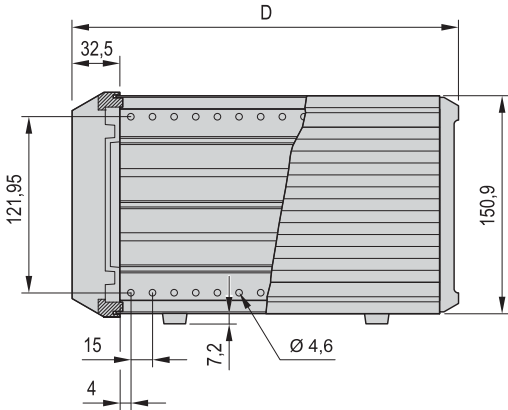
Maximum mounting depth = D - 45
(Distance: front panel - rear panel)

Note

- Dimension drawings of side panel see from page 5.53

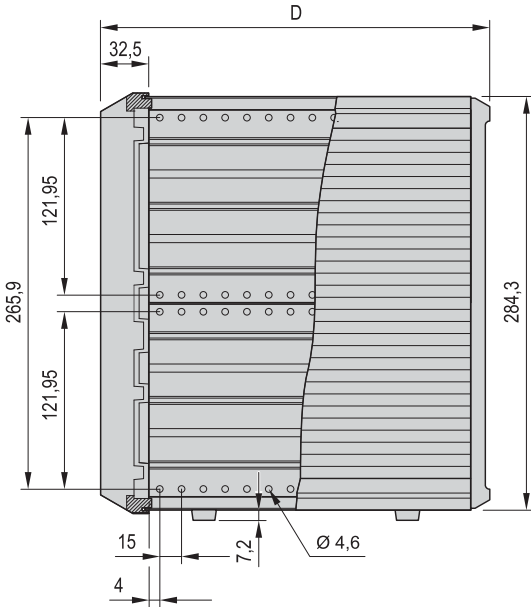


05809051



3 U

05806060



6 U

05806062

Desk-top enclosure - *propac*PRO

Cases, 2 and 3 U, unshielded

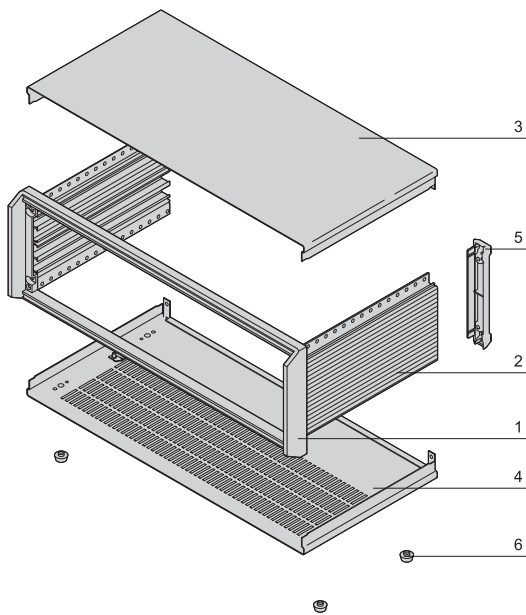


05806001

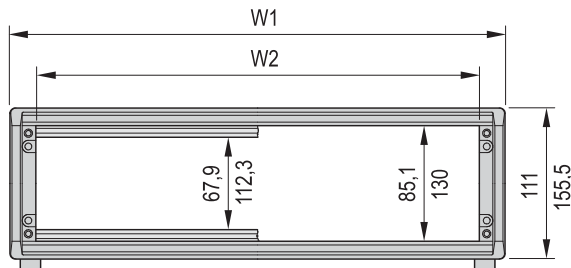
- Desk-top case with pre-configured components, in accordance with IEC 60297-3-101; prepared for 19" components such as plug-in units and euroboards
- Ventilation slots in base plate
- Prepared for GND/earthing

Delivery comprises (kit, items 1 - 5 fitted)

Item	Qty	Description
1	1	Frame, Al die-cast, powder-coated, RAL 7016
2	2	Side panel, Al extrusion, powder-coated, RAL 9006
3	1	Cover plate, Al, 1 mm, internal surface conductive, visible surface powder-coated, RAL 9006, with GND/earthing tag
4	1	Base plate, Al, 1 mm, internal surface conductive, visible surface powder-coated, RAL 9006, with GND/earthing tag, base plate with 4 rows of ventilation slots
5	2	End piece for rear, ABS, RAL 7016, UL 94 V-0; can be used as a foot for use in vertical position
6	4	Case foot with anti-slip protection, PC, black, UL 94 V-0
7	1	Assembly kit



05806057



05806077

Cross-section 2 U, 3 U

Order Information

Usable width	Width W1	Depth D	2 U		3 U	
			Part no.	Part no.	Part no.	Part no.
HP	mm	mm				
28	147.3	185.9	266	-	14576-101	
28	147.3	185.9	326	-	14576-103	
42	218.4	257	266	14576-021	14576-121	
42	218.4	257	326	14576-023	14576-123	
42	218.4	257	386	-	14576-125	
63	325.1	363.7	266	14576-041	14576-141	
63	325.1	363.7	326	14576-043	14576-143	
63	325.1	363.7	386	14576-045	14576-145	
84	431.8	470.3	266	-	14576-161	
84	431.8	470.3	326	-	14576-163	
84	431.8	470.3	386	-	14576-165	
84	431.8	470.3	446	-	14576-167	
84	431.8	470.3	506	-	14576-169	

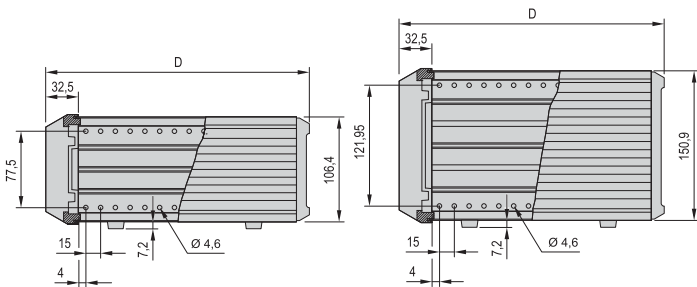
Accessories

GND/earthing kit Cu wire 1.5 mm ² , PVC sleeve, green/yellow, links side panels, base, cover and rear panel, PU 1 piece	21102-001
---	------------------

Maximum mounting depth = D - 45
(Distance: front panel - rear panel)

Note

- Case, 3 U with side panel for tip-up carrying handle, see page 5.52
- Dimensions see page 5.48
- Dimensions side panel, see page 5.53



2 U

05806059

3 U

05806060



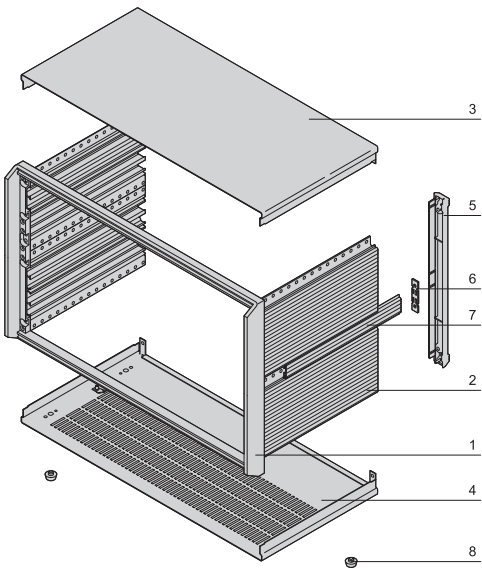
ServicePLUS see page 5.4

Desk-top enclosure - *propac*PRO

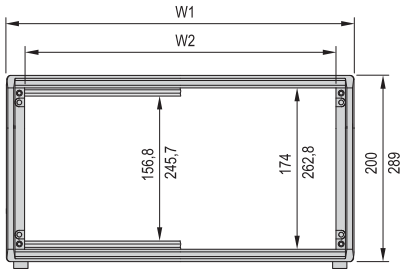
Cases, 4 and 6 U, unshielded



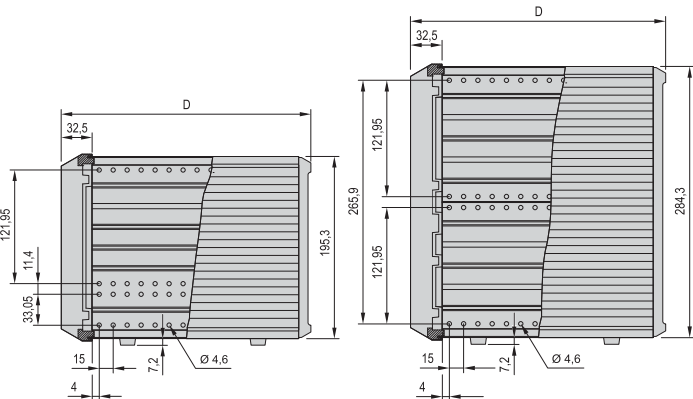
05806003



05806058



05806078



05806061

05806062

4 U

6 U

- Desk-top case with pre-configured components, in accordance with IEC 60297-3-101; prepared for 19" components such as plug-in units and euroboards
- Ventilation slots in base plate
- Prepared for GND/earthing

Delivery comprises (kit, items 1 - 6 fitted)

Item	Qty		Description
	4 U	6 U	
1	1	1	Frame, Al die-cast, powder-coated, RAL 7016
2	2	4	Side panel, Al extrusion, powder-coated, RAL 9006
3	1	1	Cover plate, AL, 1 mm, internal surface conductive, visible surface powder-coated, RAL 9006, with GND/earthing tag
4	1	1	Base plate, AL, 1 mm, internal surface conductive, visible surface powder-coated, RAL 9006, with GND/earthing tag, base plate with 4 rows of ventilation slots
5	2	2	End piece for rear, ABS, RAL 7016, UL 94 V-0; can be used as a foot for use in vertical position
6	-	2	Adaptor bracket, Al
7	2	2	Cover trim for side panel, Al extrusion, powder-coated, RAL 9006
8	4	4	Case foot with anti-slip protection, PC, black, UL 94 V-0
9	1	1	Assembly kit

Order Information

Usable width	Width W1		Depth D	4 U	6 U
	W2	W2		Part no.	Part no.
HP	mm	mm	mm		
42	218.4	257	266	14576-221	-
42	218.4	257	326	14576-223	-
63	325.1	363.7	266	14576-241	-
63	325.1	363.7	326	14576-243	-
63	325.1	363.7	386	14576-245	-
63	325.1	363.7	446	14576-247	-
84	431.8	470.3	326	-	14576-463
84	431.8	470.3	386	14576-265	14576-465
84	431.8	470.3	446	14576-267	14576-467
84	431.8	470.3	506	14576-269	14576-469

Accessories

GND/earthing kit Cu wire 1.5 mm², PVC sleeve, green/yellow, links side panels, base, cover and rear panel, PU 1 piece **21102-001**

Maximum mounting depth = D - 45
(Distance: front panel - rear panel)

Note

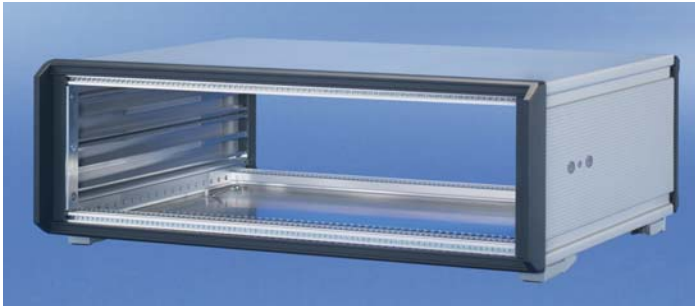
- Case, 4 U with side panel for tip-up carrying handle, see page 5.52
- Dimensions side panel, see page 5.53



ServicePLUS see page 5.4

Desk-top enclosure - *propacPRO*

3 U and 4 U cases, unshielded,
with holes for tip-up carrying handle



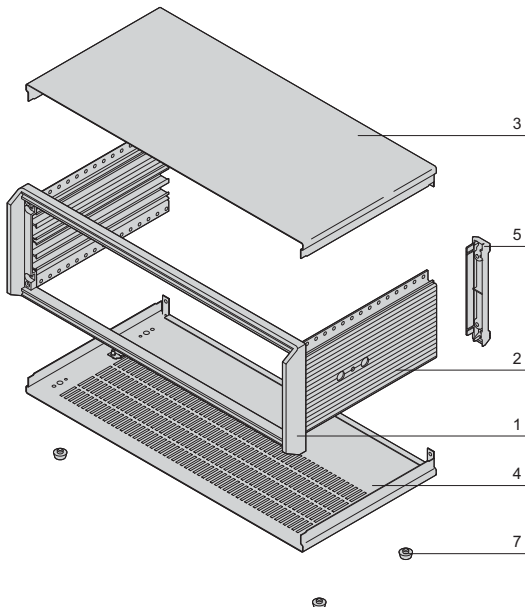
05812006

- Desk-top case with pre-configured components, in accordance with IEC 60297-3-101; prepared for 19" components such as plug-in units and euroboards
- Ventilation slots in base plate
- Prepared for GND/earthing
- Prepared for fitting of tip-up carrying handle

NEW

Delivery comprises (kit, items 1 - 6 fitted)

Item	Qty		Description
	3 U	4 U	
1	1	1	Frame, Al die-cast, powder-coated, RAL 7016
2	2	4	Side panel, Al extrusion, powder-coated, RAL 9006; with drill holes for tip-up carrying handle
3	1	1	Cover plate, Al, 1 mm, internal surface conductive, visible surface powder-coated, RAL 9006, with GND/earthing tag
4	1	1	Base plate, Al, 1 mm, internal surface conductive, visible surface powder-coated, RAL 9006, with GND/earthing tag, base plate with 4 rows of ventilation slots
5	2	2	End piece for rear, ABS, RAL 7016, UL 94 V-0; can be used as a foot for use in vertical position
6	-	2	Cover trim for side panel, Al extrusion, powder-coated, RAL 9006
7	4	4	Case foot with anti-slip protection, PC, black, UL 94 V-0
8	1	1	Assembly kit



05812050

Order Information

Usable width	Width W1		Depth D	3 U		4 U	
	W2	W2		Part no.	Part no.		
HP	mm	mm	mm				
42	218.4	257.0	326	14577-123	14577-223		
42	218.4	257.0	386	14577-125	-		
63	325.1	363.7	326	14577-143	14577-243		
63	325.1	363.7	386	14577-145	14577-245		
84	431.8	470.3	326	14577-163	-		
84	431.8	470.3	386	14577-165	14577-265		

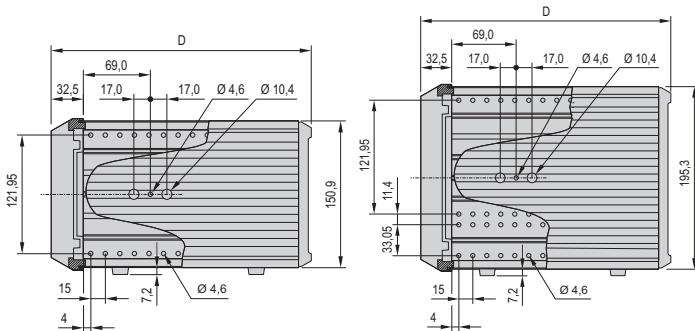
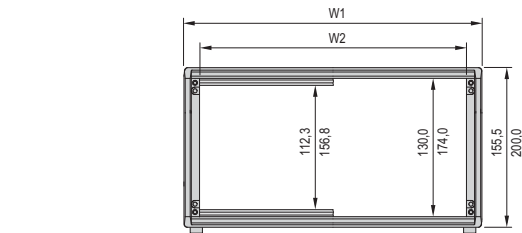
05812051

Accessories

GND/earthing kit Cu wire 1.5 mm ² , PVC sleeve, green/yellow, links side panels, base, cover and rear panel, PU 1 piece	21102-001
Tip-up carrying handle for 42 HP case width, PU 1 kit	24576-071
Tip-up carrying handle for 63 HP case width, PU 1 kit	24576-072
Tip-up carrying handle for 84 HP case width, PU 1 kit	24576-073

Note

- Dimensions see page 5.48
- Dimensions side panel, see page 5.53



3 U

05812052

4 U

05812053

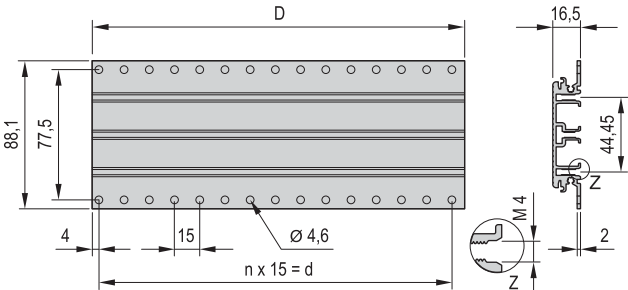


ServicePLUS see page 5.4

Desk-top enclosure - *propac*PRO

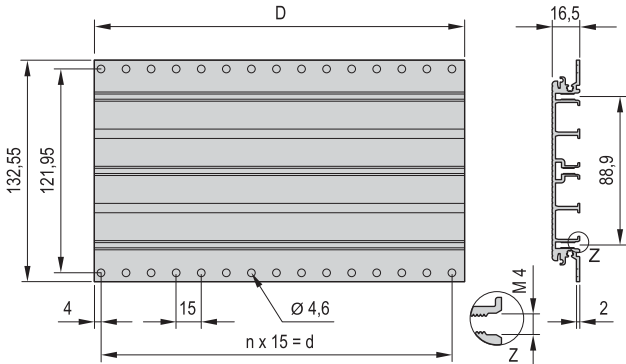
Dimensions

Extruded side panel 2 U



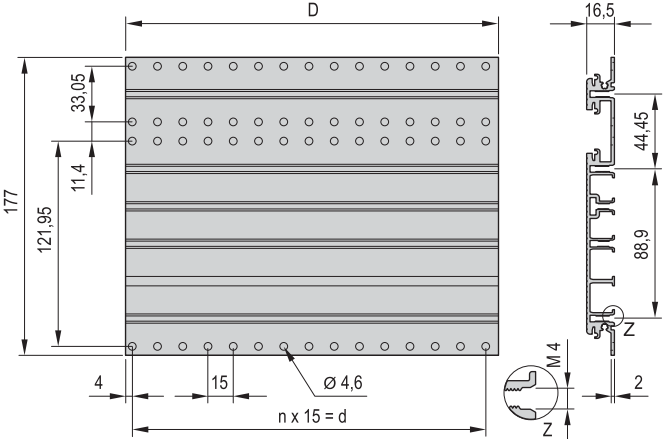
05806079

Extruded side panel 3 U



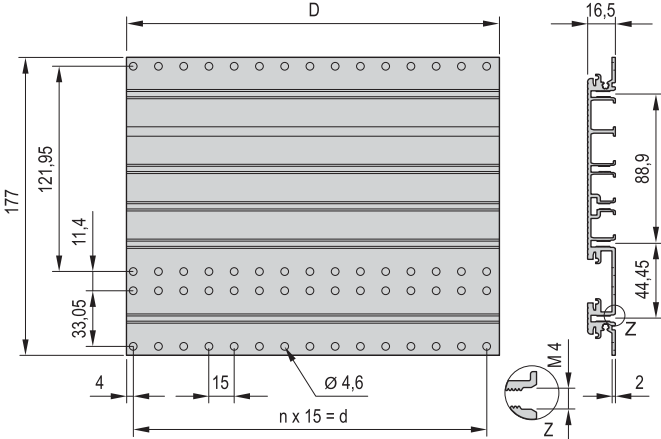
05806080

Extruded side panel 4 U, right



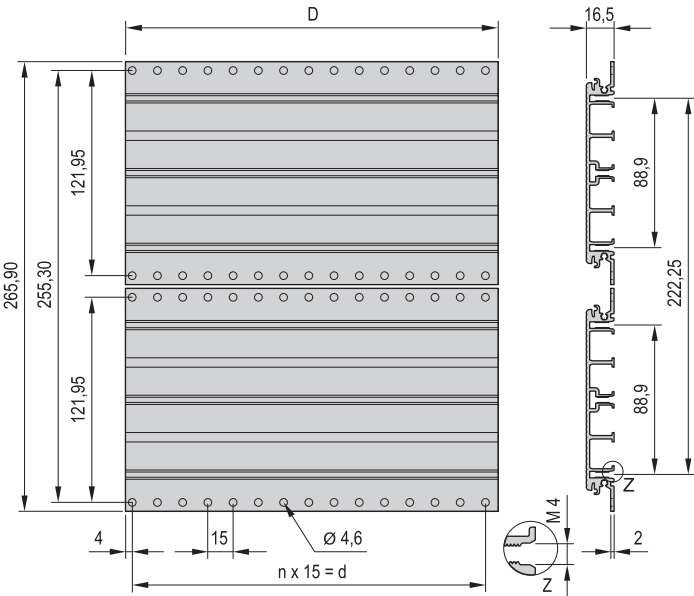
05806081

Extruded side panel 4 U, left



05806082

Extruded side panel 6 U



05806083

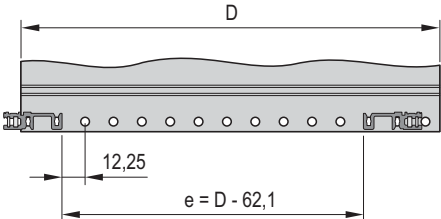
Dimensions table

For case depth	D	d	n
mm	mm	mm	
266	221.6	210	14
326	281.6	270	18
386	341.6	330	22
446	401.6	390	26
506	461.6	450	30

Note

A side panel for case 6 U consists of 2 pieces 3 U extruded side panels

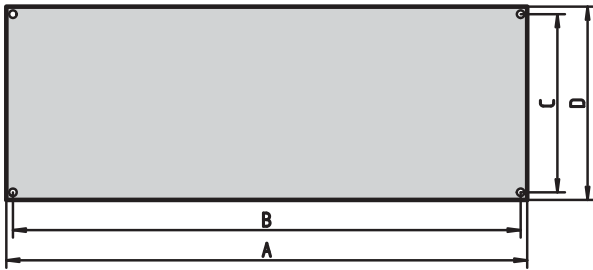
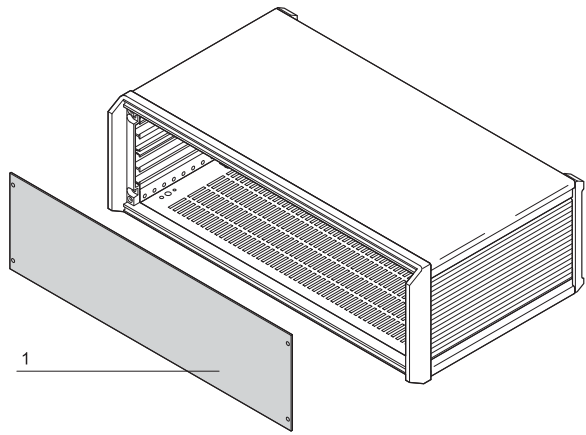
Side panel with horizontal rail



05806107

Desk-top enclosure - *propac*PRO

Front panel, unshielded,
for mounting on case frame



05806053

PPA43756

Delivery comprises

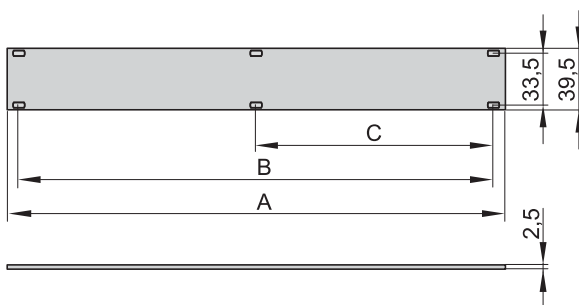
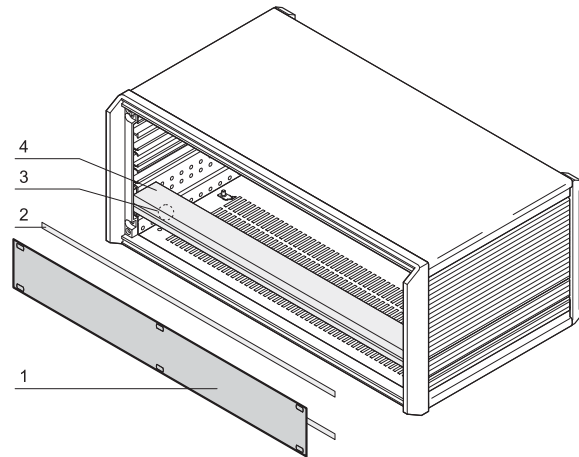
Item	Qty	Description
1	1	Full-width front panel, Al, 2 mm (on 84 HP = 2.5 mm), anodised, cut edges plain
2	1	Assembly kit

Order Information

For case height	For case width	A	B	C	D	Part no.
U	HP	mm	mm	mm	mm	
2	42	238.7	230.0	74.0	84.0	20850-128
2	63	345.4	336.7	74.0	84.0	20850-129
2	84	452.0	443.3	74.0	84.0	20850-130
3	28	167.6	158.9	118.5	128.5	20850-134
3	42	238.7	230.0	118.5	128.5	20850-135
3	63	345.4	336.7	118.5	128.5	20850-136
3	84	452.0	443.3	118.5	128.5	20850-137
4	42	238.7	230.0	162.9	172.9	20850-142
4	63	345.4	336.7	162.9	172.9	20850-143
4	84	452.0	443.3	162.9	172.9	20850-144
6	84	452.0	443.3	251.8	261.8	20850-158

■ EMC front panel see chapter Front Panels, page 7.7

Front panel, 1 U, unshielded, for 4 U case,
for mounting on horizontal rails



05806064

05806065

Delivery comprises

Item	Qty	Description
1	1	Front panel, Al, 2.5 mm, front anodised, rear iridescent green chromated

Order Information

Width	A	B	C	Front panel
HP	mm	mm	mm	Part no.
28	141.9	127.0	-	20850-423
42	213.0	198.1	101.6	20850-424
63	319.7	304.8	157.5	20850-425
84	426.4	411.5	203.2	20850-426

Note

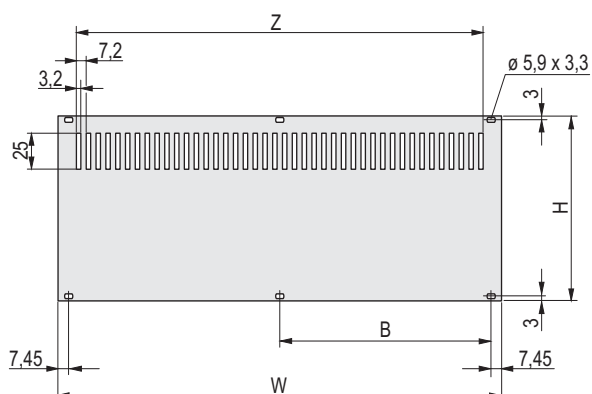
■ Please order items 2, 3 and 4 separately

Width	Item 2	Item 3	Item 4
HP	EMC gasket, front panel/horizontal rail PU 10 pieces	EMC gasketing kit horizontal rails, 1 piece	Horizontal rail type H-KD, 1 piece (SPQ 10 1)
	Part no.	Part no.	Part no.
28	24560-229	24562-528	34560-228
42	24560-231	24562-542	34560-242
63	24560-233	24562-563	34560-263
84	24560-235	24562-584	34560-284

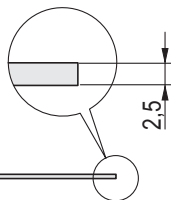
1) SPQ (standard pack quantity): Order number includes 1 piece, but delivery is exclusively made in standard pack quantity (SPQ); please order at least the SPQ quantity or a multiple thereof

Desk-top enclosure - *propacPRO*

Rear panel, perforated, for mounting on horizontal rails

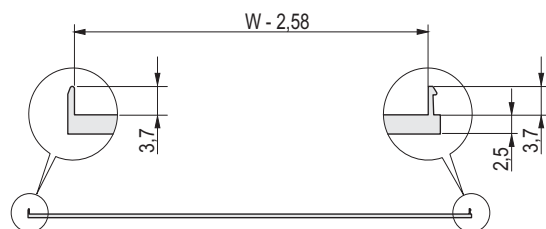


01802055



01804050

Unshielded



01802055

Shieldable

- Two versions: unshielded, Al, 2.5 mm shieldable, Al extrusion (textile EMC gasketing retrofittable)

Delivery comprises

Item	Qty	Description
1	1	Rear panel, Al, 2.5 mm, front: anodised, rear: iridescent green chromated; unshielded or shieldable with EMC sealing (textile)

Order Information

Height U	H mm	Width W HP mm	B mm	h mm	unshielded Part no.	shieldable Part no.
2	84	28	141.9	-	78	30849-007 20848-679
2	84	42	213	101.6	78	30849-014 20848-680
2	84	63	319.7	157.5	78	30849-015 20848-681
2	84	84	426.4	208.3	78	30849-016 20848-682
3	128.4	28	141.9	-	122.4	30849-008 20848-633
3	128.4	42	213	101.6	122.4	30849-021 20848-634
3	128.4	63	319.7	157.5	122.4	30849-022 20848-635
3	128.4	84	426.4	208.3	122.4	30849-023 20848-636
4	172.9	28	141.9	-	166.9	30849-009 20848-656
4	172.9	42	213	101.6	166.9	30849-028 20848-657
4	172.9	63	319.7	157.5	166.9	30849-029 20848-658
4	172.9	84	426.4	208.3	166.9	30849-030 20848-659
6	261.8	28	141.9	-	255.8	30849-010 20848-640
6	261.8	42	213	101.6	255.8	30849-035 20848-641
6	261.8	63	319.7	157.5	255.8	30849-036 20848-642
6	261.8	84	426.4	208.3	255.8	30849-037 20848-643

- Please order textile EMC gasket separately
- EMC gasket rear panel - horizontal rail see page 5.65
- Horizontal rails see page 5.67
- Assembly parts see page 6.63

Textile EMC gasket

- The textile EMC gasket is glue fixed laterally on the front panel, always in the groove on the right-hand side of the profile
- Temperature range -40 °C ... +70 °C

Delivery comprises (l)

Item	Qty	Description
1	10/100	Textile EMC gasket, core: foam, sleeve: textile cladding with CuNi coating

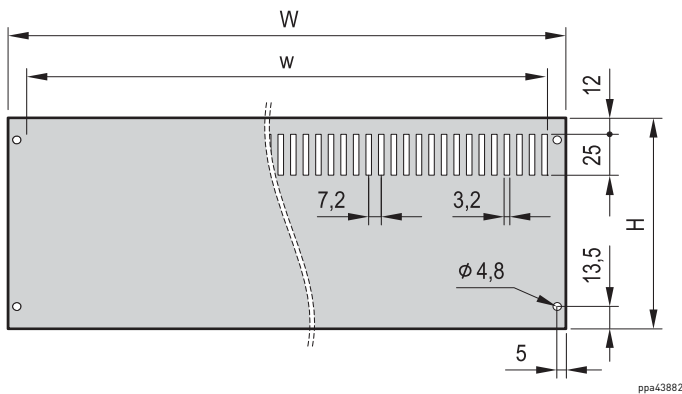
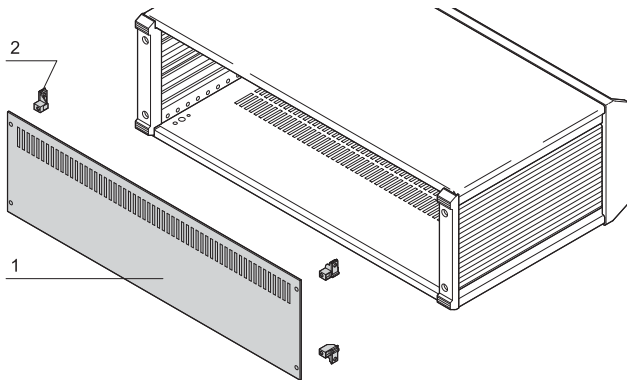
Order Information

Height U	Height mm	Qty/PU pieces	Part no.
2	52	10	21101-857
3	97	100	21101-854
3	97	10	21101-853
4	142	10	21101-858
6	232	100	21101-856
6	232	10	21101-855

04602054

Desk-top enclosure - *propac*PRO

Rear panel, unshielded, for mounting on case frame



- Mounting with support brackets on case (right and left)
- Versions with and without perforation

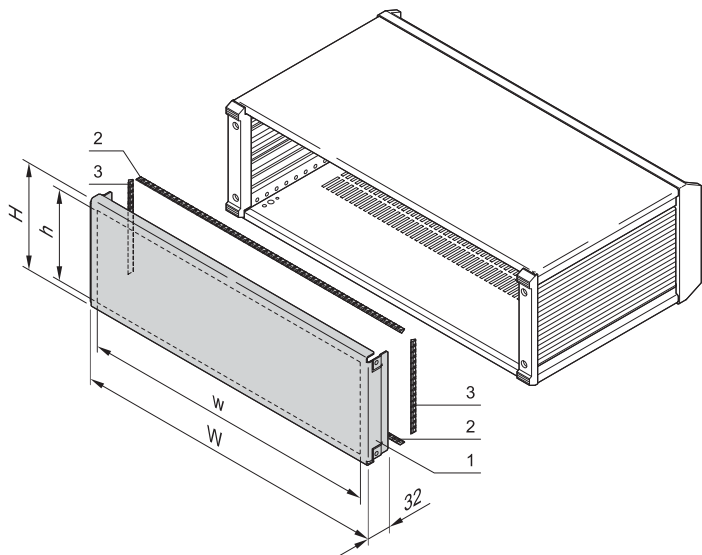
Delivery comprises

Item	Qty	Description
1	1	Full-width rear panel, Al, anodised, cut edges blank 28, 42, 63 HP = 2 mm thickness 84 HP = 2.5 mm thickness
2	4	Support member, Zn die-cast
3	1	Assembly kit

Order Information

Height U	Height H	Width W	HP	w	With perforation Part no.	Without perforation Part no.
2	84	42	213	190	24576-144	24576-044
2	84	63	320	298	24576-145	24576-045
2	84	84	426	406	24576-146	24576-046
3	128.5	28	142	118	24576-147	24576-047
3	128.5	42	213	190	24576-148	24576-048
3	128.5	63	320	298	24576-149	24576-049
3	128.5	84	426	406	24576-150	24576-050
4	172.9	42	213	190	24576-152	24576-052
4	172.9	63	320	298	24576-153	24576-053
4	172.9	84	426	406	24576-154	24576-054
6	261.8	84	426	406	24576-158	24576-058

Rear panel, shielded, for mounting on case frame



- Mounts on case (left, right)
- Without perforation

Delivery comprises

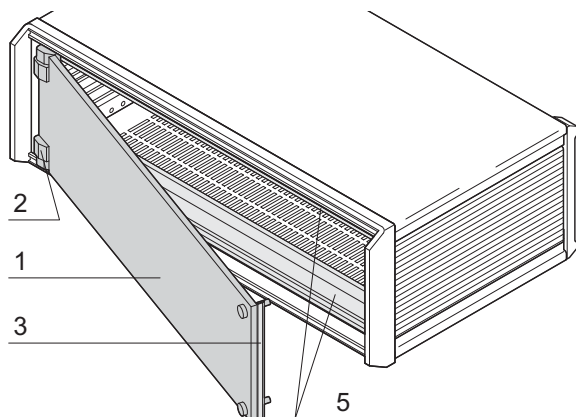
Item	Qty	Description
1	1	Full-width EMC rear panel, Al 1.5 mm, passivated, with GND/earthing connection (Faston 6.3 mm)
2	2	Textile EMC gasketing, for mounting top and bottom, core: foam, sleeve: textile cladding with CuNi coating
3	2	Textile EMC gasketing, for mounting left and right, core: foam, sleeve: textile cladding with CuNi coating
4	1	Assembly kit

Order Information

Height U	Height H	Height h	Width W	HP	w	Part no.
2	101.5	84	42	217.9	213	24576-244
2	101.5	84	63	324.6	319.7	24576-245
3	146	128.4	28	146.8	141.9	24576-247
3	146	128.4	42	217.9	213	24576-248
3	146	128.4	63	324.6	319.7	24576-249
3	146	128.4	84	431.3	426.4	24576-250
4	190.4	172.9	42	217.9	213	24576-252
4	190.4	172.9	63	324.6	319.7	24576-253
4	190.4	172.9	84	431.3	426.4	24576-254
6	279.3	261.8	84	431.3	426.4	24576-258

Desk-top enclosure – *propacPRO*

Front panel, hinged, shielded, for mounting on horizontal rails



- Front panel with textile EMC gasketing
- Hinges can be fitted left or right
- Suitable for europacPRO subrack and ratiopacPRO, compacPRO and propacPRO cases

Delivery comprises (kit)

Item	Qty	Description
1	1	Front panel, hinged, Al, 2.5 mm, front anodised, rear iridescent green chromated
2	2	Hinge, Zn die-cast, chrome-plated
3	1	Textile EMC gasket core: foam, sleeve: textile cladding with CuNi coating
4	1	Assembly kit

05806102

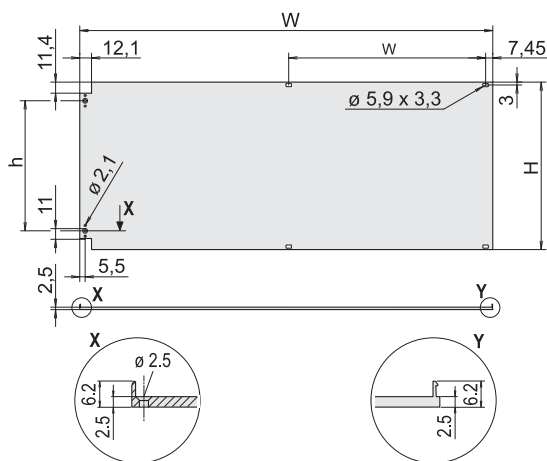
Order Information

Height	Width	H	h	W	w	Part no.
U	HP	mm	mm	mm	mm	
3	84	128.4	89.9	426.4	203.2	20848-611
6	84	261.8	223.2	426.4	203.2	20848-617
Item 5, Horizontal rail Type H-VT heavy duty, recessed mounting 84 HP, 1 piece (SPQ 10)						34560-784

Note

- Usable width reduced by 2 HP (hinged side)
- Horizontal rail (item 5) for front panel mounting is required, please order separately
- Lateral trim is necessary, please order separately, see page 5.59

05806097



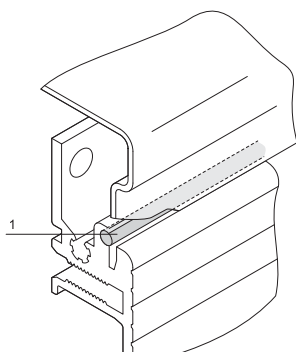
04602081

EMC side panel gasket

- For EMC shielding between side panel and top cover or base plate (sufficient for at least 1 case)

Order Information

Item	Description	Qty/PU	Part no.
1	Sealing cord, silicone, silver coated, $\varnothing 2.4$ mm, length 2.1 m	1	30850-354



05806068

Desk-top enclosure - *propacPRO*



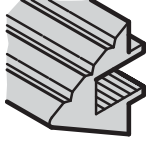
Design elements

- To individualise case design

Delivery comprises

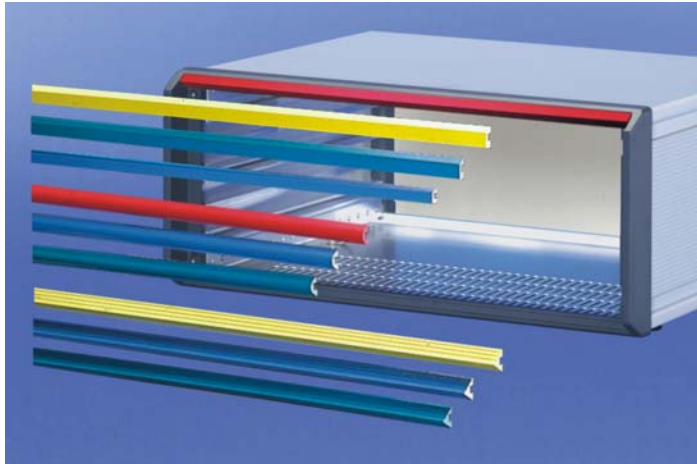
Qty	Description
1	Design element, Al extrusion, powder-coated
1	Assembly kit

Order Information

Description	Width HP	Light grey RAL 7035	Brilliant blue RAL 5007
		Part no.	Part no.
Form 1  <small>PPA43761</small>	42	20850-184	20850-299
	63	20850-185	20850-300
	84	20850-186	20850-301
Form 2  <small>PPA43762</small>	42	20850-190	20850-315
	63	20850-191	20850-316
	84	20850-192	20850-317
Form 3  <small>PPA43763</small>	42	20850-196	20850-331
	63	20850-197	20850-332
	84	20850-198	20850-333

Note

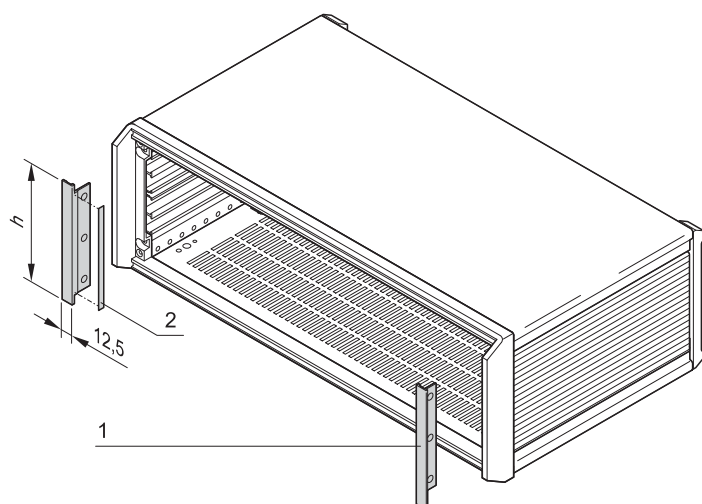
- Size 28 HP and further colours available on request
- Cannot be combined with front hood



05809002

Desk-top enclosure - *propac*PRO

Trim, front, for EMC shielding



05806069

- For lateral covering of frame and for producing a continuous front with front panels and plug-in units
- Serves for lateral shielding of side panels simultaneously

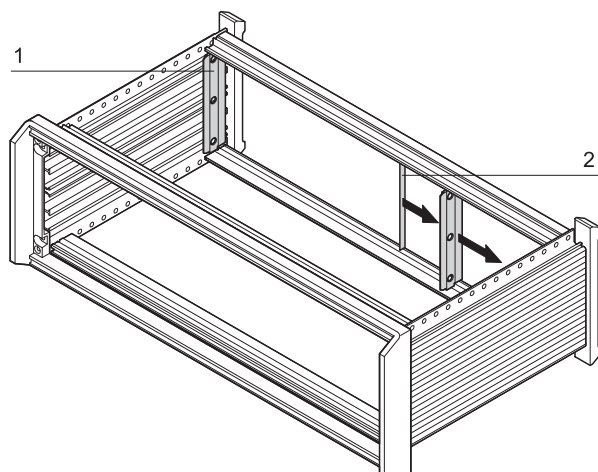
Delivery comprises (kit)

Item	Qty	Description
1	2	Lateral trim, Al extrusion, visible surface painted RAL 7016
2	1	Textile EMC gasket
3	1	Assembly kit

Order Information

For case height	h	Part no.
U	mm	
2	84	24576-017
3	128.5	24576-117
4	172.9	24576-217
6	261.8	24576-417

Trim, rear, for EMC shielding



05806103

- For vertical EMC shielding between shielded front panels and side panel

Delivery comprises

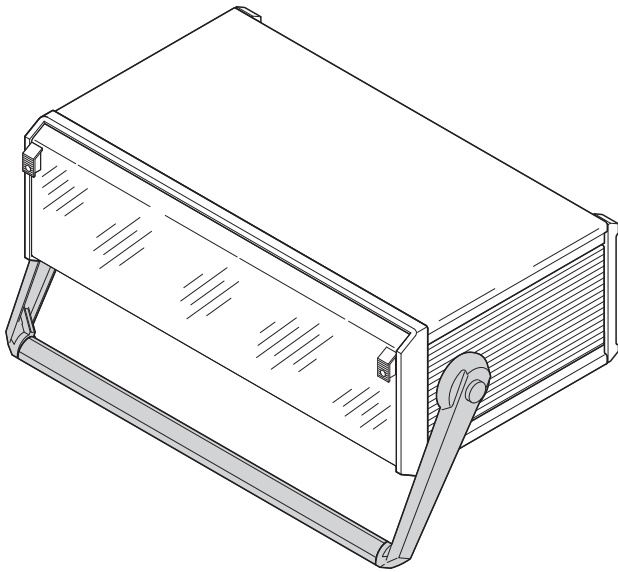
Item	Qty	Description
1	2	EMC contact strip, Al extrusion
2	1	Textile EMC gasket
3	1	Assembly kit

Order Information

Height	Height	Part no.
U	mm	
2	65.55	24576-018
3	110	24576-118
4	154.45	24576-218
6	243.35	24576-418

Desk-top enclosure - *propacPRO*

Tip-up carrying handle



05806101

- With powder-coated carrying bar
- Can be locked in 30° increments
- Load-carrying capacity 20 kg

Delivery comprises (Kit)

Item	Qty	Description
1	1	Carrying bar, Al extrusion, powder-coated, RAL 7016
2	2	Handle side part, Zn, die-cast, powder-coated, length 180 mm
3	2	Safety insert, St, 1.5 mm, black
4	1	Assembly kit for side panel mounting

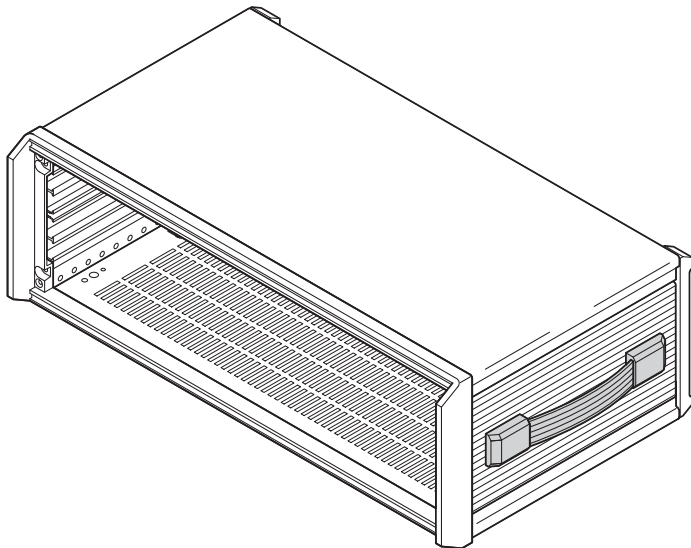
Order Information

For case width	Part no.
HP	
28	24576-070
42	24576-071
63	24576-072
84	24576-073

Note

- To fit the tip-up carrying handle, holes must be drilled in the side panel
- Readily prepared cases (3 U and 4 U), for mounting the tip-up carrying handle see page 5.52

Strap handle



05806098

- Load-carrying capacity: 20 kg

Delivery comprises (Kit)

Item	Qty	Description
1	1	Band, spring steel, handle, flexible plastic, grey, RAL 7016
2	2	Cover, grey, RAL 7016
3	1	Assembly kit

Order Information

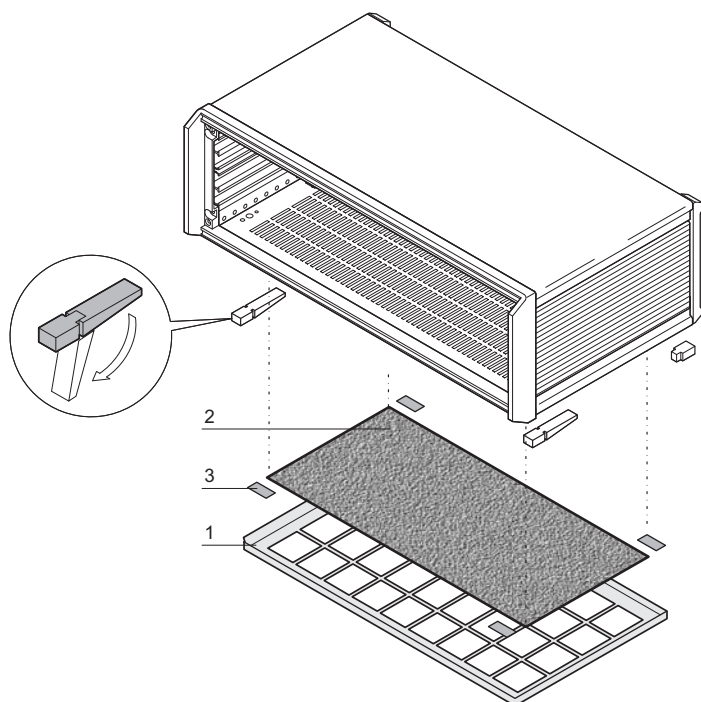
Description	Part no.
Strap handle with adaptor	20850-249

Note

- Holes must be drilled into the side panels to fix the strap handle
- Side panels with holes already drilled available on request
- Usable from case depth of D = 326 mm

Desk-top enclosure – *propacPRO*

Air filter



- Subsequent mounting possible without modification or tools
- Filter change without opening the case, IP protection code not affected

Delivery comprises (Kit)

Item	Qty	Description
1	1	Filter holder, Al, 1 mm, powder-coated, RAL 9006
2	1	Filter mat, synthetic fibre
3	1	Velcro

Order Information

For case width	Air filter	Replacement filter 1 piece
HP	Part no.	Part no.
28	24576-093	64571-033
42	24576-094	64571-034
63	24576-095	64571-035
84	24576-096	64571-036
Tip-up foot in plastic silver, similar to RAL 9006, 4 pieces		20603-001
Plastic tip-up foot anthracite, similar to RAL 7016, 4 pieces		20603-002

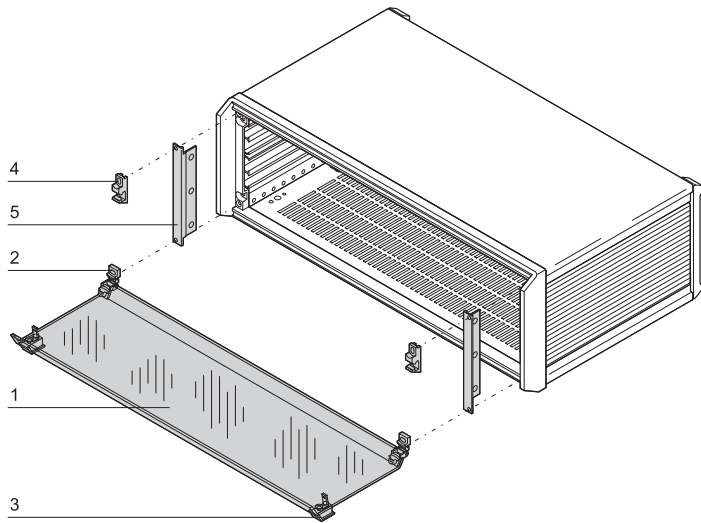
Note

- For optimum ventilation feet must be fixed to the case, please order separately

05806070

Desk-top enclosure - *propacPRO*

Front hood 3 U



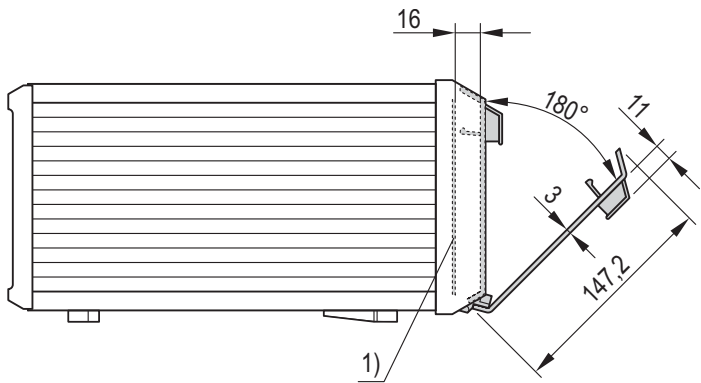
- From acrylic glass, hinged, removable
- Mounting of hinges at top or bottom
- Lock (max. 2) retrofittable
- Lateral cover (item 5) also serves as vertical EMC shielding of side panels

Delivery comprises (kit)

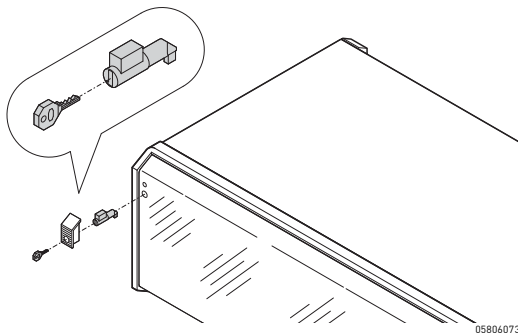
Item	Qty	Description
1	1	Hood, PMMA, tinted blue grey, acrylic glass, 3 mm
2	2	Hinge, PC, UL 94 V-0, RAL 7016
3	2	Handle, PC, UL 94 V-0, RAL 7016
4	2	Retainer, UL 94 V-0, PC, RAL 7016
5	2	Lateral trim, Al extrusion, visible surface painted RAL 7016
6	1	Assembly kit

Order Information

For case width	Part no.
HP	
28	24576-080
42	24576-081
63	24576-082
84	24576-083
Lock for front hood Locking cylinder, key, assembly kit, PU	
1 kit	60850-171
Plastic tip-up foot silver , similar to RAL 9006, 4 pieces	20603-001
Plastic tip-up foot anthracite , similar to RAL 7016, 4 pieces	20603-002



1) Front panel



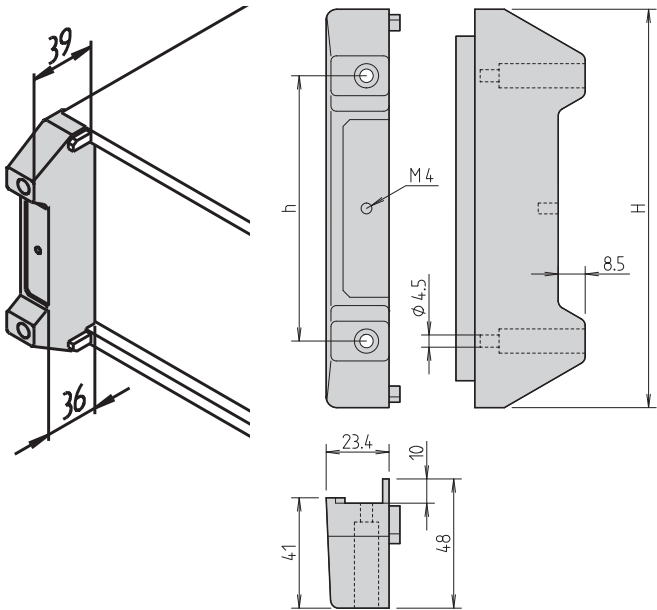
Lock for front hood

Note

- Cannot be combined with design elements
- Other heights available on request
- Before assembly of hood feet must be fixed to case; please order separately

Desk-top enclosure - **propacPRO**

Foot for rear hood



ppa45113

ppa45104

- Increases the distance between rear panel and parking surface (when used vertically)
- Simplifies cable routing
- Increased shock and vibration damping
- Required for mounting rear hood

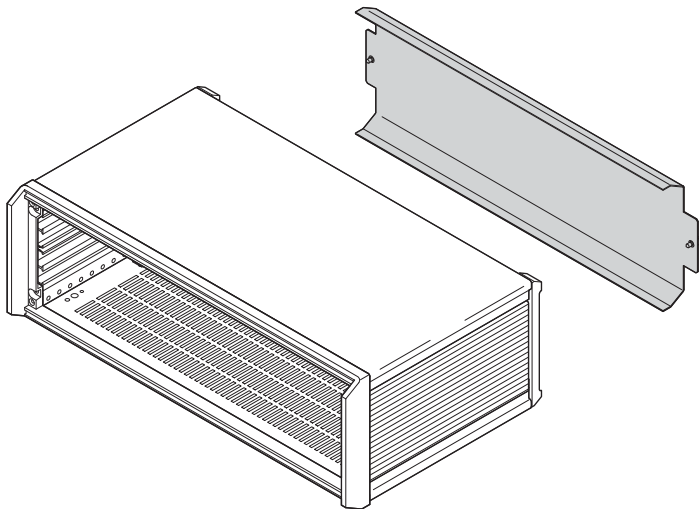
Delivery comprises

Item	Qty	Description
1	2	Foot, PU foam
1	1	Assembly kit

Order Information

For cabinet height	Height H	Part no.
U	mm	
3	147.9	24576-393
4	192.3	24576-394

Rear hood



05806075

Delivery comprises (kit)

Item	Qty	Description
1	1	Hood, Al, 1 mm, RAL 9006, fixing with knurled screws
2	1	Assembly kit

Order Information

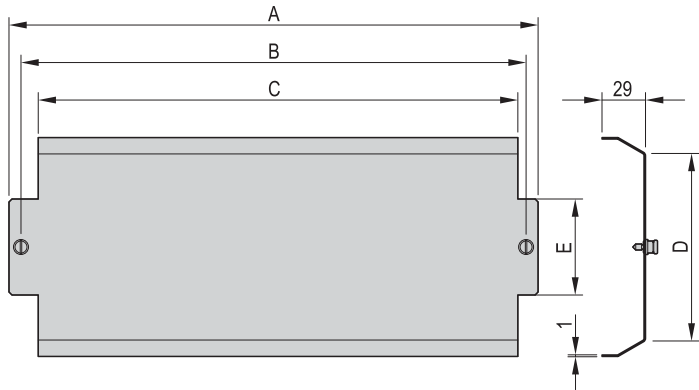
Height	Width	A	B	C	D	E	Part no.
U	HP	mm	mm	mm	mm	mm	
3	42	246	230	213	145.9	64	24576-086
3	63	352.7	336.7	319.7	145.9	64	24576-087
3	84	459.4	443.4	426.4	145.9	64	24576-088
4	63	352.7	336.7	319.7	190.4	108.5	24576-091
4	84	459.4	443.4	426.4	190.4	108.5	24576-092

Foot for rear hood for case height 3 U, PU foam, black, PU 2 pieces **24576-393**

Foot for rear hood for case height 4 U, PU foam, black, PU 2 pieces **24576-394**

Note

- To fit the rear hood, feet must be fitted to the rear panel; please order separately

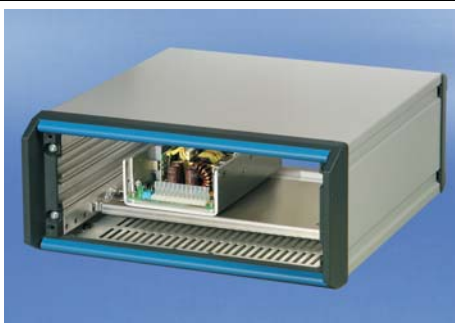


05806076

Desk-top enclosure - *propacPRO*

Mounting plates

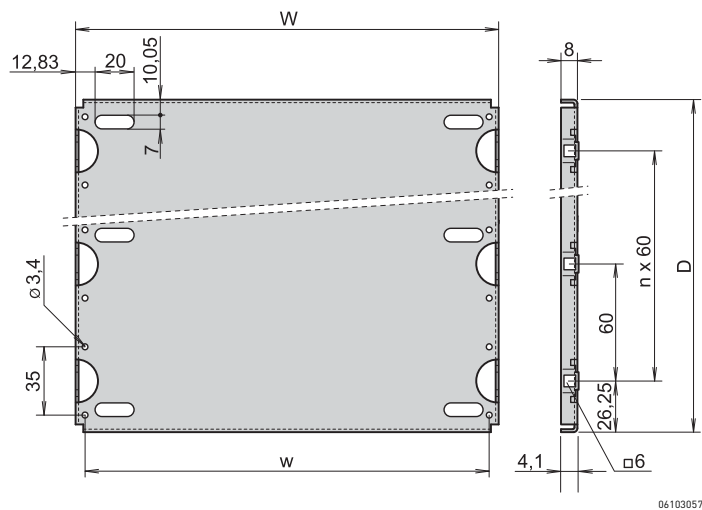
Order Information



05812001

Mounting plate for fixing of heavy components	
<p>Mounting plate over full width: mounting is onto the side panels</p> <p>Mounting plate over partial width: mounting is onto one side panel and a fixing strip or onto 2 fixing strips</p> <p>Al, 1.5 mm; for mounting over partial width, please order fixing strips separately</p> <p>06102501</p>	<p>Fixing strip for partial widths</p> <p>St, 2 mm, zinc-plated; is bolted from front to rear onto the horizontal rails; to fix mounting plates</p> <p>05804100</p>
1 piece	1 piece

Width W HP	W mm	Board lengths mm		
42	217.99	160	34562-746	30840-021
42	217.99	220	34562-750	30840-033
63	324.67	160	34562-747	30840-021
63	324.67	220	34562-751	30840-033
84	431.35	160	34562-748	30840-021
84	431.35	220	34562-752	30840-033
84	431.35	340	34562-760	30840-057
Assembly kit for mounting plate, PU 1 kit (Torx countersunk screw M4 x 5, St, zinc-plated, 12 pieces; screw M4 x 6, St, zinc-plated, 10 pieces; M4 square nut, St, zinc-plated, 10 pieces)			24560-184	-
Assembly kit for fixing strips for partial width mounting plates, Torx screw M2.5 x 5, St, zinc-plated, PU 100 pieces M2.5 x 5, St, zinc-plated, PU 100 pieces			-	24560-146



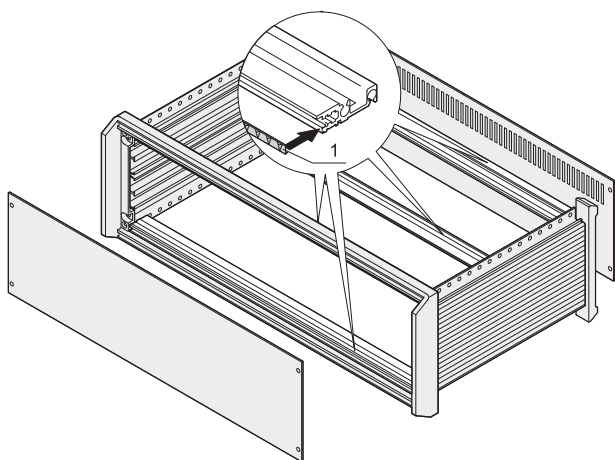
Note

- Please order assembly kit for mounting plate separately
- Fixing strips required for partial width, please order separately
- Other versions on request
- Dimensions side panel with horizontal rail see page 5.53

propacPRO:
 D = board length - 47.5 mm; n = 1 for 160 mm board length;
 n = 2 for 220 mm board length; n=4 for 340 mm board length

Desk-top enclosure - *propac*PRO

EMC gasket, stainless steel, between front/rear panel and horizontal rail



05806109

- The EMC contact strip is clipped onto the horizontal rail and forms a conductive link to front or rear panel
- Can be used for front/rear horizontal rails type VT (recessed)

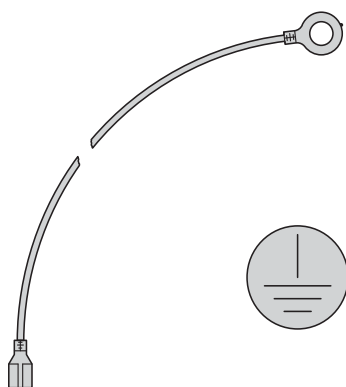
Delivery comprises

Item	Qty	Description
1	10/100	EMC gasket, St, stainless

Order Information

Width HP	Length mm	Qty/PU pieces	Part no.
28	131.78	10	24560-229
42	202.9	10	24560-231
63	304.5	10	24560-233
84	416.56	10	24560-235
84	416.56	100	24560-236

GND/earthing kit



aza43284

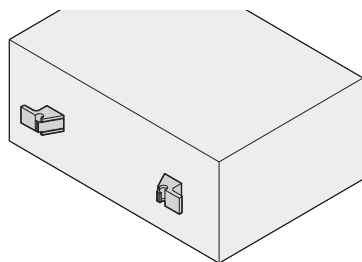
- Protective GND/earthing connections in accordance with:
 - DIN EN 50178/VDE 0160
 - DIN EN 60950/VDE 0805
 - DIN EN 61010-1/VDE 0411 part 1
 - DIN EN 61010-1A2/VDE 0411 part 1A1

- VDE tested

Order Information

Description	Part no.
GND/earthing kit, Cu wire 1.5 mm ² , PVC sleeve, green/yellow, links side panels, base and rear panel, 1 piece	21102-001

Cable holder



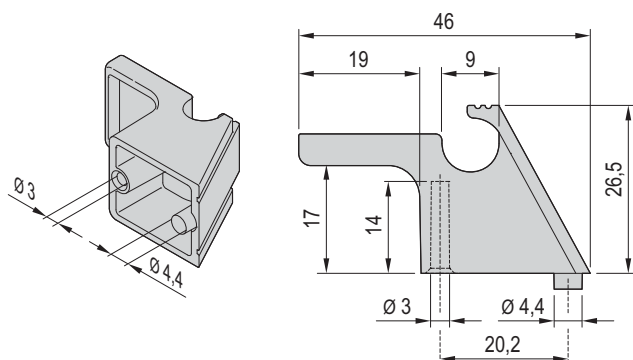
02908053

Delivery comprises

Item	Qty	Description
1	2	Cable holder, ABS, UL V-94 0, RAL 7016, detent for cables between 8 mm and 12 mm
2	1	Drilling template, two drill holes each per holder are needed in rear panel
3	1	Assembly kit

Order Information

Description	Part no.
Cable holder	24575-800



02908052

Desk-top enclosure - *propacPRO*

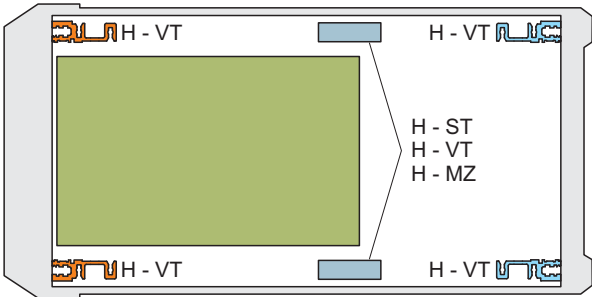
Mounting position horizontal/central rails

2 U



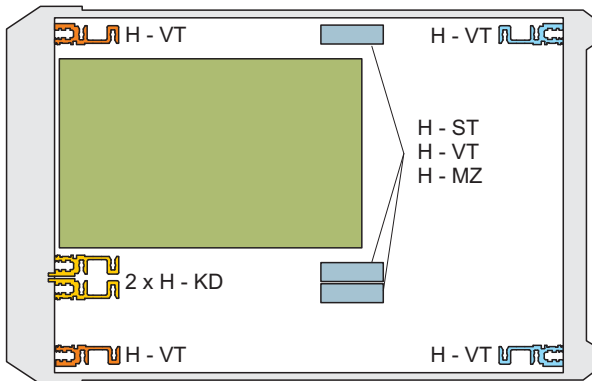
05806084

3 U



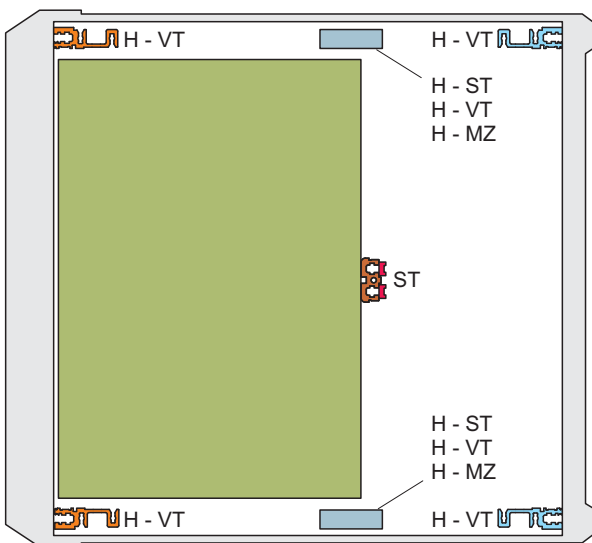
05806085

4 U (3 + 1)

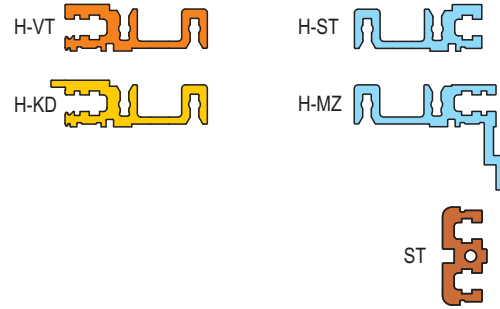


05806086

6 U

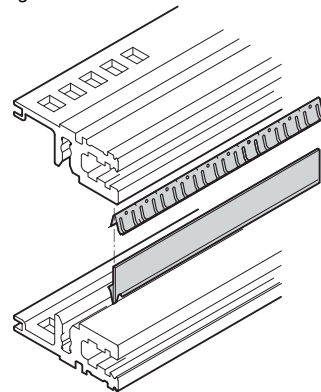


05806087



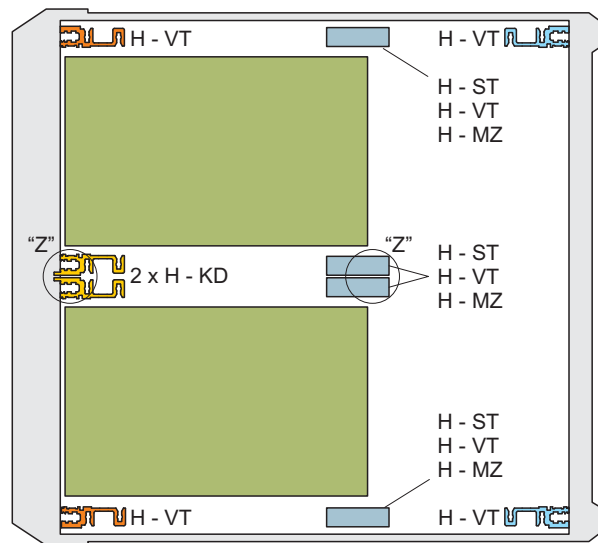
05809050

"Z" (EMC shielding with 2 horizontal rails)



06106051

6 U (2 x 3)




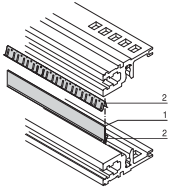
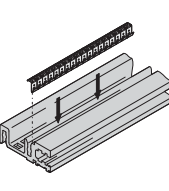






05806088

Desk-top enclosure - *propac*PRO

Horizontal rails to front/centre/rear

Order Information

		For indirect backplane fixing with insulation strip	For direct backplane fixing	For direct fixing of connectors in accordance with EN 60603-2 (DIN 41612)	Front horizontal rails	Stainless steel EMC gasket between horizontal rail and horizontal rail	Horizontal rail type H-VT robust, with EMC gasket
		 06197011	 06197011	 06197011		 bza45877	 06106052
		"heavy" Type H-ST standard	"heavy" Type H-VT long lip	"heavy" Type H-MZ with Z-rail	"heavy" Type H-KD short lip		
		 06197011	 06197009	 06197015	 06197008		
		Al extrusion, anodised finish, conductive surface, with printed HP markings	Al extrusion, anodised finish, conductive surface, with printed HP markings	Al extrusion, anodised finish, conductive surface, with printed HP markings	Al extrusion, anodised finish, conductive surface, with printed HP markings	item 1: metal strip, Al, 1 mm, item 2: EMC stainless steel gasket; for shielding of 2 horizontal rails positioned directly one above the other if assembly area is divided vertically	horizontal rail: Al extrusion, anodised, conductive contact surface for cover plates on shielded cases
Usable length HP	Length mm	1 piece (SPQ 10)¹⁾	1 piece (SPQ 10)¹⁾	1 piece (SPQ 10)¹⁾	1 piece (SPQ 10)¹⁾	PU 1 kit	1 piece
28	147.32	34560-528	34560-728	34560-928	34560-228	24562-528	24576-028
42	218.44	34560-542	34560-742	34560-942	34560-242	24562-542	24576-042
63	325.12	34560-563	34560-763	34560-963	34560-263	24562-563	24576-063
84	431.80	34560-584	34560-784	34560-984	34560-284	24562-584	24576-084
Torx panhead screw , M4 × 14, St, zinc-plated, PU 100 pieces		24571-371	24571-371	24571-371	24571-371	-	24571-371
Torx panhead screw , M 4 × 10, St, zinc-plated, necessary if guide rail is screwed to slot 1, PU 100 pieces		-	-	24571-372	24571-372	-	24571-372
Perforated rail for connector mounting with insulation strip see page		5.69	-	-	-	-	-
Z-rail for connector mounting without insulation strip see page		5.69	-	-	-	-	-
Insulation strips see page		-	5.68	-	-	-	-
Threaded inserts see page		5.68	5.68	5.68	5.68	-	-

1) SPQ (standard pack quantity): Order number includes 1 piece, but delivery is exclusively made in standard pack quantity (SPQ); please order at least the SPQ quantity or a multiple thereof

Note

- Further horizontal rails see from page 6.27
- Fitting options see page 5.66

Desk-top enclosure - *propacPRO*

Horizontal rails, centre, type ST-C

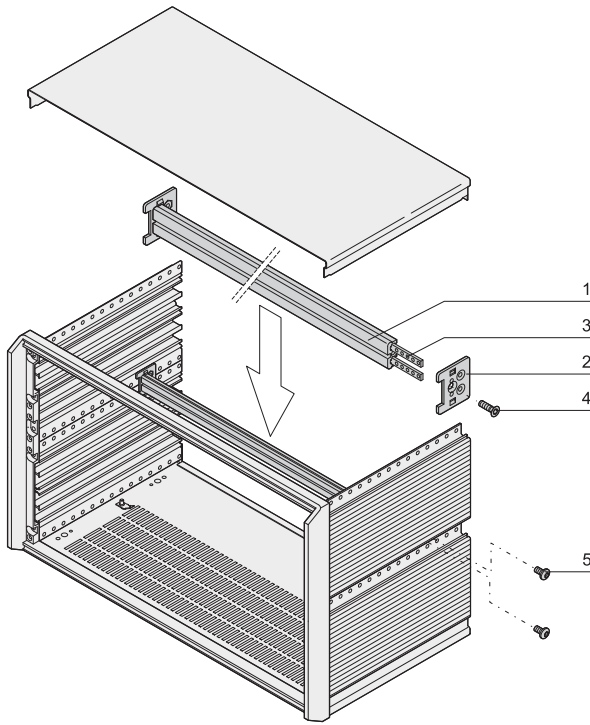
- For indirect backplane mounting (with insulation strip)
- For 6 U propacPRO case

Delivery comprises (kit, item 1 to 4 are pre-mounted)

Item	Qty	Description
1	1	Horizontal rail, Al extrusion, anodised, contact surfaces conductive
2	2	Adaptor plate, Al
3	2	Threaded insert, M2.5, St, zinc-plated
4	2	Countersunk screw, M4 x 14
5	4	Pan head screw, M4 x 6

Order Information

Usable width	Length	Part no.
HP	mm	
84	431.8	24575-474
Insulation strip 84 HP, PBT UL 94 V-0, grey, PU 10 pieces		24560-884



05806089

Threaded inserts, perforated strips, insulation strips

Order Information

Usable length HP	Threaded insert		Perforated strip Length mm	Perforated strip Length mm	Perforated strip Length mm	Insulation strip	
	Length mm	1 piece (SPQ 10) ¹⁾				1 piece (SPQ 10) ¹⁾	Length mm
28	146.82	34561-328	-	147.12	30845-197	144.20	24560-828
42	217.94	34561-342	-	218.24	30845-211	210.40	24560-842
63	324.62	34561-363	-	324.92	30845-232	316.88	24560-863
84	431.30	34561-384	34561-484	431.60	30845-253	428.64	24560-884

Accessories

Grub screw M2.5 x 8, PU 100 pieces	21100-276	-	-	-	-
Grub screw M2.5 x 9, PU 100 pieces	-	-	-	21101-359	-
Grub screw M3 x 8, PU 100 pieces	-	21100-646	-	-	-

1) SPQ (standard pack quantity): Order number includes 1 piece, but delivery is exclusively made in standard pack quantity (SPQ); please order at least the SPQ quantity or a multiple thereof

2) Part no. includes one packing unit (PU); delivery is exclusively made in PU

Desk-top enclosure - *propac*PRO

Z-rails, perforated rails

Order Information

		Z-rail for connectors		Perforated rail
		DIN EN 60603-2, DIN 41612 item 1	31-pin, DIN 41617	EN 606032, DIN 41612 item 1
		<p style="text-align: right;">BZA45849</p> <p style="text-align: right;">06708063</p>	<p style="text-align: right;">BZA45850</p>	<p style="text-align: right;">BZA45848</p> <p style="text-align: right;">06708051</p>
		for connector mounting on ST horizontal rails, please order threaded insert and screw separately	for connector mounting on ST horizontal rails, please order threaded insert and screw separately	for connector mounting on VT horizontal rails, please order threaded insert and screw separately
Usable length	Length	1 piece	1 piece	PU 4 pieces
HP	mm			
28	142.24	30822-033	-	20822-049
42	213.36	30822-047	-	20822-050
60	304.80	30822-065	30819-783	20822-047
84	426.70	30822-089	30819-808	20822-048
Item 3, Torx panhead screw to fix connector to perforated rail,, M2.5 x 7, PU 100 pieces		24560-147	24560-147	24560-147
Item 2, Torx panhead screw, to fix perforated rail to horizontal rail, M2.5 x 10, PU 100 pieces		24560-148	24560-148	24560-148

Desk-top enclosure - *propacPRO*

Combined mounting (6 U and 2 x 3 U one above the other)

Order Information

	Horizontal and vertical subdivision (incl. front panel for stainless steel EMC gasket)	Combined mounting		Splitting extrusion for combined mounting item 2
 Width pitch T1:T2 HP	 item 1: 2 front horizontal rails (H-KD), Al extrusion, anodised; item 2: 2 rear horizontal rails (AB), Al extrusion, anodised; item 3: threaded insert, St, zinc-plated; item 4: Zn die-cast support member; item 5: front panel 2 HP, 6 U, shielded; with EMC stainless steel gasket; 84:0 without items 4, 5	 Al, 2.5 mm, front anodised, rear iridescent green chromated	 Al, 2.5 mm, U-profile with notch, 6 U, 2 HP	 6 U, Zn die-cast; splitting extrusion is inserted in the grid holes of the horizontal rail; the splitting extrusion can be bolted
	PU 1 kit	1 (SPQ 5)	1 piece (SPQ 5) ¹⁾	1 piece
20:62	24562-420			
40:42	24562-440			
42:40	24562-442	30847-472	30849-140	64560-010
63:19	24562-463			
84:0	24562-484			
Torx countersunk screw M4 × 14, zinc-plated, PU 100 pieces for fixing splitting extrusion/horizontal rail	-	-	-	24560-145
Panhead screw M2.5 × 10, St, zinc-plated, PU 100 pieces for fixing horizontal rail/splitting extrusion	-	-	-	24560-179
Pozidrive/slotted collar screw M2.5 x 12.3, St, nickel-plated, PU 100 pieces	-	21101-101	21101-101	-
Pozidrive/slotted collar screw M2.5, black, zinc-plated, PU 100 pieces	-	21101-102	21101-102	-
Washer 2.7 x 5 x 1, plastic PA 6, PU 100 pieces	-	21101-121	21101-121	-
Textile gasket, core: foam, sleeve: textile cladding with CuNi coating, UL 94 V-0, PU 10 pieces	-	-	21101-855	-

- Subdivision of the 6 U assembly area into:
 - 2 x 3 U
 - 1 x 6 U

- Designed to accept euroboards (100 mm high) and double euroboards (233.35 mm high)

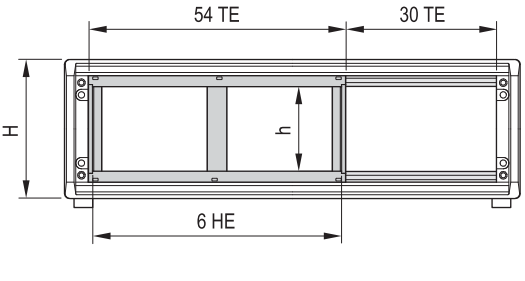
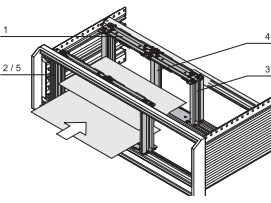
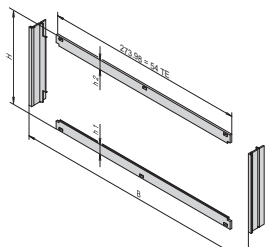
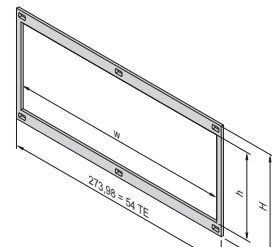









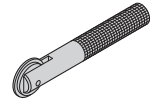
Note

- Please order EMC gasketing kit for horizontal rails separately, see page 6.54
- Please order perforated strips for horizontal rails separately, see page 5.68
- Please order rear centre horizontal rail separately, see page 5.68

Desk-top enclosure - *propac*PRO

Horizontal board mounting

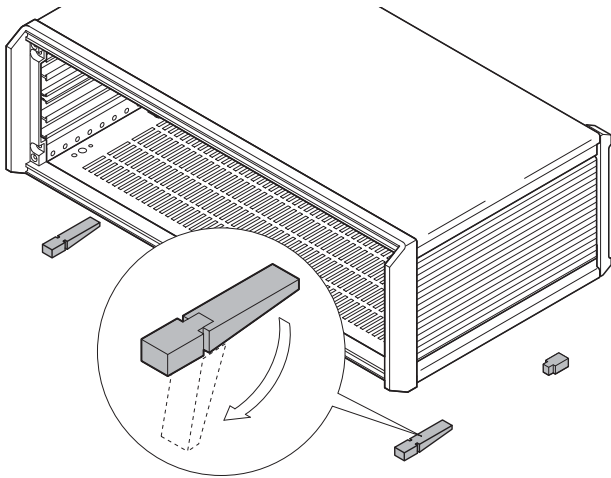
Order Information

 <p style="text-align: right; font-size: small;">05806092</p>		Horizontal board mounting														
		<p>Board cage</p>  <p style="text-align: right; font-size: x-small;">05806091</p> <p style="font-size: x-small;">Struts die-cast zinc; horizontal rails front and rear; threaded insert, St, zinc-plated; fixing material kit; for horizontal mounting of double-height euroboards in 3 or 4 U high subracks/cases; 54 HP space required; please order front frame for EMC gasketing separately</p> <p style="text-align: center;">PU 1 kit</p>	<p>Front frame for EMC gasketing</p>  <p style="text-align: right; font-size: x-small;">bpa45913</p> <p style="font-size: x-small;">2 horizontal trims, Al 2.5 mm, front anodised, rear iridescent green chromated; 2 vertical trims, Al extrusion, clear passivated; stainless steel EMC gasket; front frame forms the contact between subrack and the sub-assemblies</p> <p style="text-align: center;">PU 1 kit</p>	<p>Front frame, unshielded</p>  <p style="text-align: right; font-size: x-small;">bza43061</p> <p style="font-size: x-small;">Al, 2.5 mm, clear anodised; front frame with cut-out, clear internal width w = 266.35 mm</p> <p style="text-align: center;">1 piece</p>												
<p>(1 TE = 1 HP, 1 HE = 1 U)</p> <table style="width: 100%; border-collapse: collapse;"> <thead> <tr> <th style="width: 10%; font-size: x-small;">Height H U</th> <th style="width: 10%; font-size: x-small;">Usable height h HP</th> <th style="width: 80%; font-size: x-small;">Other dimensions and options Horizontal rail, front Horizontal rail, rear</th> </tr> </thead> <tbody> <tr> <td style="text-align: center;">3</td> <td style="text-align: center;">20</td> <td style="text-align: center;"></td> </tr> <tr> <td style="text-align: center;">3</td> <td style="text-align: center;">20</td> <td style="text-align: center;"></td> </tr> <tr> <td style="text-align: center;">4</td> <td style="text-align: center;">28</td> <td style="text-align: center;"></td> </tr> </tbody> </table>		Height H U	Usable height h HP	Other dimensions and options Horizontal rail, front Horizontal rail, rear	3	20		3	20		4	28		<p style="font-size: x-small;">-</p>	<p style="font-size: x-small;">24560-270</p>	<p style="font-size: x-small;">-</p>
Height H U	Usable height h HP	Other dimensions and options Horizontal rail, front Horizontal rail, rear														
3	20															
3	20															
4	28															
<p>Assembly tool, for mounting the EMC gasket (stainless steel)</p> 		<p style="font-size: x-small;">-</p>	<p style="font-size: x-small;">24560-270</p>	<p style="font-size: x-small;">-</p>												

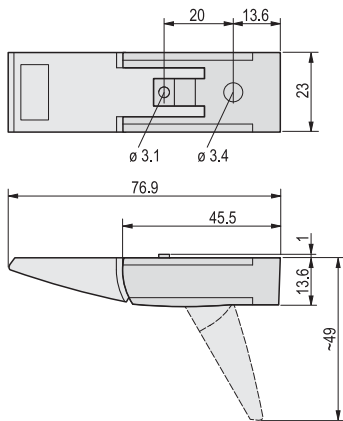
* For direct backplane mounting

Desk-top enclosure - *propacPRO*

Plastic tip-up feet



05806093



02906050

- Static load-carrying capacity 25 kg per foot
- Tip-up feet can be used instead of the pre-mounted case feet
- Fixing holes provided in bottom of case

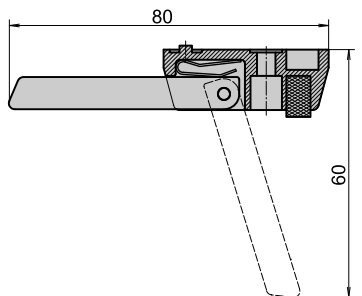
Delivery comprises (kit)

Item	Qty	Description
1	4	Foot, PA, UL 94 V-0
2	4	Anti-slip protection, TPE
3	2	Tip-up device, PA, UL 94 V-0
4	1	Assembly kit

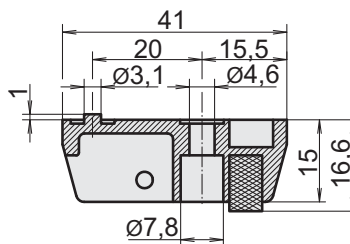
Order Information

Description		Part no.
Plastic tip-up foot	anthracite, similar to RAL 7016, 4 pieces	20603-002
Plastic tip-up foot	silver, similar to RAL 9006, 4 pieces	20603-001
Cheesehead screw with slot M4 × 12, St, zinc-plated, PU 100 pieces		21101-211
Hexagon nut M4, St, zinc-plated, PU 100 pieces		21100-211
Spring washer A4, St, zinc-plated, PU 100 pieces		21100-207

Tip-up feet made of die-cast aluminium



AZA43836



02908051

- Can be used instead of the round standard feet
- Fixing holes provided in bottom of case
- Secure case stance with slip-proof rubber inserts
- Load carrying capacity: 50 kg per foot, max. case weight 40 kg

Order Information

Description	Qty	Part no.
Foot with tip-up, Al die-cast, silver	1 piece (SPQ 10) ¹⁾	10603-002
Foot without tip-up, Al die-cast, silver	1 piece (SPQ 10) ¹⁾	10603-001
Cheesehead screw with slot M4 × 12, St, zinc-plated, PU 100 pieces		21101-211
Hexagon nut M4, St, zinc-plated, PU 100 pieces		21100-211
Spring washer A4, St, zinc-plated, PU 100 pieces		21100-207

1) Part no. comprises 1 piece;
delivery is in standard pack quantity (SPQ);
please order a minimum of 10 feet or a multiple

Note


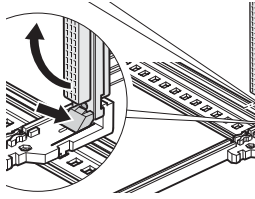
- Delivery is in standard pack multiples;
pricing is per individual item

Desk-top enclosure - *propac*PRO

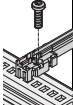
Guide rails for plug-in units and frame type plug-in units, one-piece, groove width 2 mm

Order Information

<p>Assembly - can be clipped into Al extruded horizontal rails - can be clipped into 1.5 mm thick plates</p> <p>Storage temperature from -40 °C ... 130 °C</p>		
Board lengths	Groove width	Colour
mm	mm	mm
70	2	red
70	2	grey
160	2	red
220	2	red
280	2	red
340	2	red
Dimension drawings see page		

For plug-in units and frame type plug-in units	
Standard	With DIN connector fixing as standard
 <p style="font-size: small;">06102001</p> <p style="font-size: x-small;">up to 220 mm length, PBT, UL 94 V-0; multi-piece from 280 mm length, end piece PBT, UL 94 V-0, central section Al extrusion</p>	 <p style="font-size: small;">06101501</p> <p style="font-size: x-small;">PBT, UL 94 V-0, red, connector is clipped directly onto the guide rails; for euroboards, 100 x 160 mm or 100 x 220 mm only</p>
PU 10 pieces	1 pair [SPQ 10]¹⁾
-	-
-	-
24560-351	64560-074
24560-353	64560-075
24560-379	-
24560-380	-
6.40	6.40

Accessories

Retention screw, PU 100 pieces		24560-141	24560-141
ESD clip, PU 50 pieces description see page 6.41		24560-255	24560-255

1) SPQ (standard pack quantity): Order number includes 1 piece, but delivery is exclusively made in standard pack quantity (SPQ); please order at least the SPQ quantity or a multiple thereof
 2) Part no. includes one packing unit (PU); delivery is exclusively made in PU

Further guide rails see page 6.35

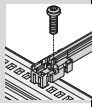
Desk-top enclosure - *propacPRO*

Guide rails type "accessories", one-piece, groove width 2 mm and 2.5 mm

Order Information

Assembly			Guide rails "Accessories"	Guide rails "Accessories" strengthened	Guide rails for heavy modules, Al extrusion, silver, robust version
- can be clipped into horizontal rails in Al extrusion - can be clipped into 1.5 mm thick plates storage temperature from -40 °C ... +130 °C			 <p>up to 280 mm length, PBT, UL 94 V-0; multi-piece from 280 mm length, end piece PBT, UL 94V-0, middle section Al extrusion</p>	 <p>PBT UL 94 V-0, red support beam of guide rails adds to strengthening</p>	 <p>Al extrusion; is screwed to horizontal rail "heavy" with retention screws</p>
Board lengths mm	Groove width mm	Colour mm	PU 10 pieces	1 piece (SPQ 50)	1 piece (SPQ 50) ¹⁾
100	2	red	-	-	-
160	2	red	24560-373	64560-076	-
160	2	grey	-	-	34562-881
220	2	red	24560-374	64560-078	-
220	2	grey	-	-	34562-882
280	2	red/ silver	24560-375	64560-080	34562-883
340	2	red/ silver	24560-376	-	34562-884
400	2	silver	-	-	34562-885
160	2.5	silver	-	-	34564-881
220	2.5	silver	-	-	34564-882
280	2.5	silver	-	-	34564-883
340	2.5	silver	-	-	34564-884
400	2.5	silver	-	-	34564-885
Dimension drawings see page			6.40	6.40	6.40

Accessories

Retention screw, PU 100 pieces		24560-141	24560-141	24560-157
ESD clip, PU 50 pieces description see page 6.41		24560-255	24560-255	-
Board locking, red, PU 10 pieces, description see page 6.41		24560-377	24560-377	-
Board handle, red, PU 10 pieces, description see page 6.41		24560-378	24560-378	-
Identification strips for board handle, red, PU 1 sheet = 438 pieces, description see page 6.41		60817-228	60817-228	-
Coding see page		6.41	6.41	-

¹⁾ SPQ (standard pack quantity): Order number includes 1 piece, but delivery is exclusively made in standard pack quantity (SPQ); please order at least the SPQ quantity or a multiple thereof

²⁾ Part no. includes one packing unit (PU); delivery is exclusively made in PU

Further guide rails see page 6.35

Desk-top enclosure - *propac*PRO

Divider plate

Order Information

					Divider plate	
					Mounting position when stainless steel EMC gasket is used	Mounting position when textile EMC gasket is used
					<p>Stainless steel, 1 mm, is mounted by clipping onto horizontal rail, space requirement on component side 2 mm; mounting direction varies with shielding design (EMC stainless steel or textile gasket); retrofitting the divider plate in an already-assembled subrack/case will first require dismantling of the horizontal rails; where front panels are unshielded, both mounting directions are possible</p>	
Height U	Depth mm	A mm	B mm	H mm	PU 10 pieces	
3	160	158.3	135.0	113.5	34562-761	
3	220	218.3	195.0	113.5	34562-762	
6	160	158.3	135.0	246.9	34562-763	
6	220	218.3	195.0	246.9	34562-764	

Air baffle for slots

Order Information

			Air baffle without front panel	Air baffle with front panel U front panel for textile EMC gasket
Depth mm	Width HP	Height U	1 piece	1 piece
160	4	3	34562-823	20848-728
160	4	6		20848-736
160	8	3	34562-833	20848-730
160	8	6	34562-836	20848-738
160	12	3	34562-843	20848-732
160	12	6	34562-846	20848-740
220	4	3	34562-824	20848-729
220	4	6	34562-827	20848-736
220	8	3	34562-834	20848-731
220	8	6	34562-837	20848-739
220	12	3	34562-844	20848-733
220	12	6	34562-847	20848-741

Appendix – Order notes

Packaging units

A packaging unit (PU) - e.g. carton, bag - contains the stated quantity. If you order the quantity 1, you will automatically receive the quantity defined as PU.

Example: EMC textile gasket
See page 5.22
Part number 21101-853

Quantity (per part number): 10 pieces

Order quantity: Delivery quantity:

1	10 pieces
2	20 pieces
3	30 pieces

Price list

Our price list is available by e-mail from your customer consultant. Please find all contact details at www.schroff.biz/contact.

Always up-to-date

Please visit our website www.schroff.biz where we continuously inform about news and technical changes.

Quick links

Catalogue request: www.schroff.biz/catalogues

Product configurators: www.schroff.biz/conf

Contact details: www.schroff.biz/contact

Product search: www.schroff.biz/oneclick

Front Panel Express: www.frontpanelexpress.eu

VARISTAR: www.varistar.co.uk

Railway technology: www.schroff.co.uk/railway

IT Infrastructure: www.schroff.co.uk/datacom

Standard pack quantity (SPQ)

Please take into consideration that deliveries may be carried out in the stated SPQs (SPQ, e.g. 5 pieces, 10 pieces, 50 pieces, etc.). Differing order quantities (e.g. 2 pieces) may be changed to the next possible delivery quantity = Standard Pack Quantity (in this case 10 pieces).

Example: Front horizontal rail
See page 5.31
Part number 34560-228

Quantity (per part number): 1 piece
Standard pack quantity (SPQ): 10 pieces

Order quantity: Delivery quantity:

≤ 10	10 pieces
> 10 ≤ 20	20 pieces
> 20 ≤ 30	30 pieces

Delivery times

Part numbers in bold face type are ready for despatch within 2 working days; part numbers in normal type are ready for despatch within 10 working days.

Business relations

Schroff is exclusively operating in Business to Business (B2B). Private individuals can buy Schroff products via our sales representatives (see www.schroff.biz/contact).

Responsible for contents and print

Schroff GmbH, Marketing Communication,
D-75334 Straubenhardt, Germany

The data in this catalogue have been thoroughly edited and checked - in assistance with an accredited Quality Management System in accordance with EN ISO 9001:2008.

Faults and spelling mistakes, but mainly changes due to improvements and further developments of our products are subject to change. There is no possibility to claim indemnity/compensation.

Cabinets	Overview.....	1.0	LHX 20/40 Air/water heat exchangers.....	1.224	1
	Varistar Cabinet platform.....	1.2	LHX 3 Air/water heat exchangers.....	1.236	
	Varistar Electronics.....	1.10	Novastar.....	1.240	
	Varistar EMC.....	1.54	Eurorack.....	1.270	
	Varistar Seismic.....	1.84	Outdoor.....	1.316	
	Varistar MIL.....	1.120	Etsirack.....	1.346	
	Varistar Data/network systems.....	1.124	19" lab racks.....	1.354	
	Varistar Containment.....	1.202	PROLINE.....	1.362	
Wall mounted case	Overview.....	2.0			2
	Epcase.....	2.36			
	LAN wall-mounted distributors.....	2.46			
Cabinet and wall-mounted case accessories	Overview.....	3.0	Monitors, keyboards, monitoring.....	3.44	3
	Mechanics.....	3.2	Socket strips.....	3.50	
	Telescopic slides.....	3.24	Power control socket strips.....	3.72	
	Electrical.....	3.29			
Climate control	Overview.....	4.0	Accessories.....	4.58	4
	Cooling concepts/service.....	4.2			
	19" fan trays.....	4.4			
	Air filtered fans.....	4.20			
Desktop enclosures	Overview.....	5.0	Comptec.....	5.100	5
	RatiopacPRO.....	5.6	Accessories.....	5.108	
	PropacPRO.....	5.44	Interscale.....	5.200	
	CompacPRO.....	5.76	Minipac.....	5.230	
Subracks/ 19" chassis	Overview.....	6.0	EuropacPRO industrial applications.....	6.86	6
	EuropacPRO.....	6.2	EuropacPRO Rugged.....	6.92	
	EuropacPRO for railroad applications.....	6.70	MultipacPRO.....	6.112	
			Inpac.....	6.128	
Front panels, Plug-in-units, Frame type plug-in-units	Overview.....	7.0	PCB accessories.....	7.102	7
	Front panels.....	7.2			
	Plug-in units.....	7.16			
	Frame type plug-in units.....	7.64			
Systems	Overview.....	8.0	AdvancedMC modules.....	8.56	8
	AdvancedTCA.....	8.2	CompactPCI, Serial, PlusIO, PSB.....	8.68	
	AdvancedMC carriers.....	8.26	VME, VME64x, VXS, VPX.....	8.88	
	MicroTCA.....	8.36	Accessories.....	8.106	
Power supply systems	Overview.....	9.0	19" accessories.....	9.18	9
	19" AC/DC switched-mode PSUs.....	9.2	PSUs for MicroTCA.....	9.20	
	19" AC/DC linear regulators.....	9.12	PSUs for VMEbus.....	9.22	
	19" AC/DC convertors.....	9.15	PSUs for CompactPCI, VME64x.....	9.24	
Backplanes	Overview.....	10.0	VME64x, VMEbus.....	10.15	10
	CompactPCI, Serial, PlusIO.....	10.4	Power.....	10.18	
	PXI.....	10.11	Universal.....	10.19	
	VXS.....	10.14	Test adaptors.....	10.20	
Connectors, Front panel component systems	Overview.....	11.0			11
	Connectors.....	11.2			
	Front panel component system.....	11.12			
Appendix	Standards abbreviations.....	12.0			12
	Notes on ordering.....	12.10			
	Order number index.....	12.11			
	Product index.....	12.62			